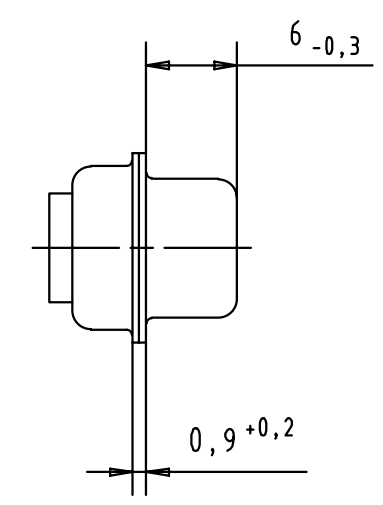
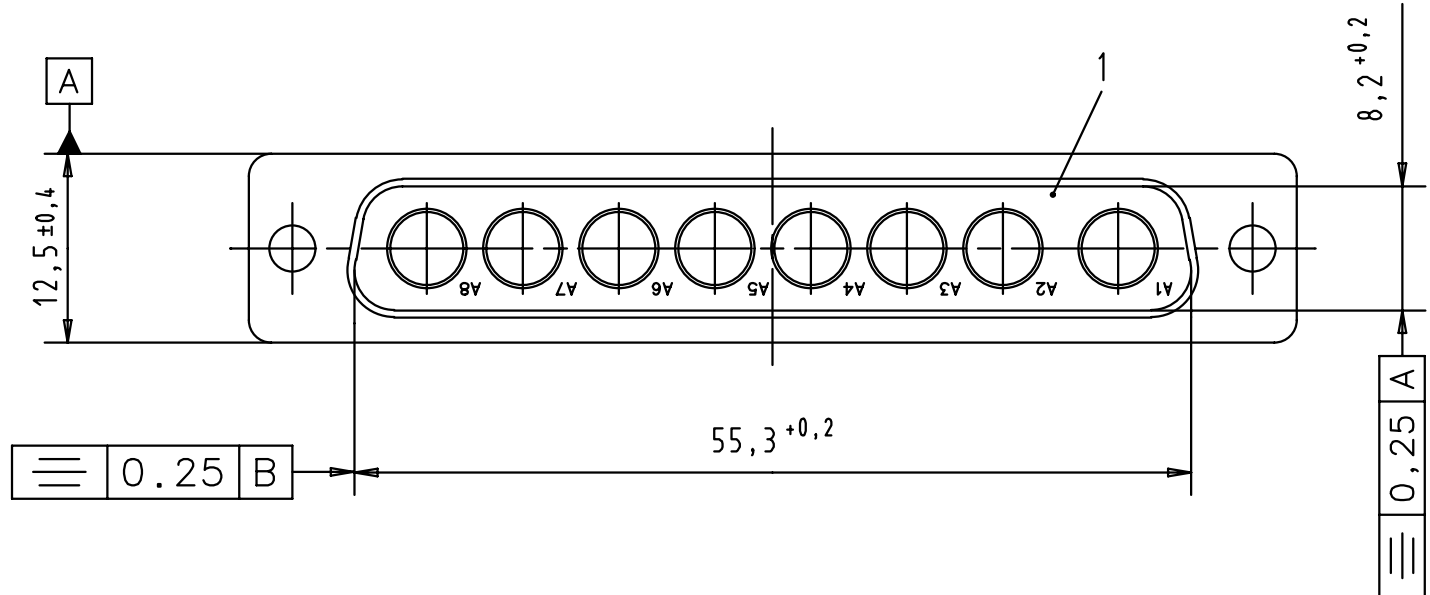
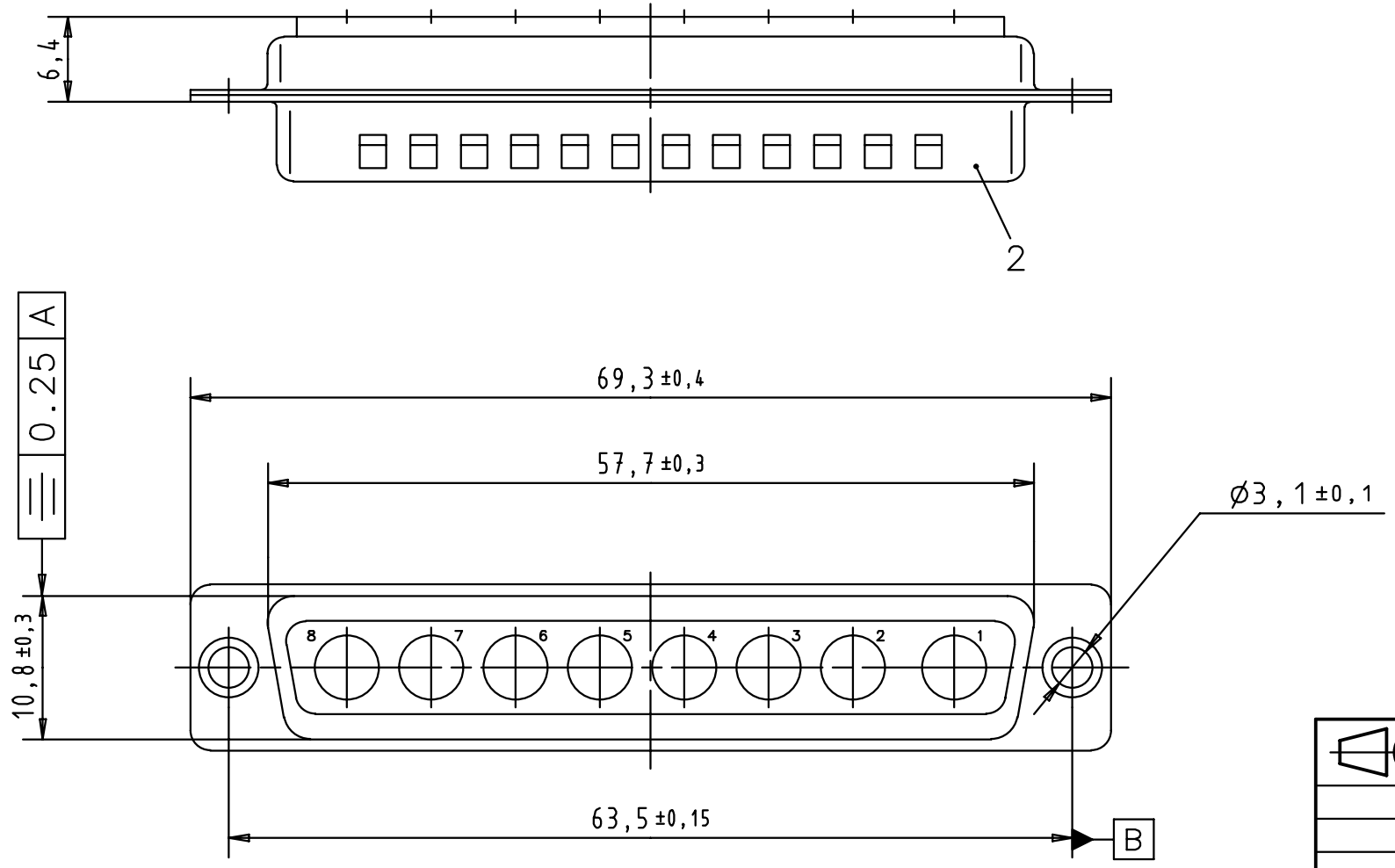
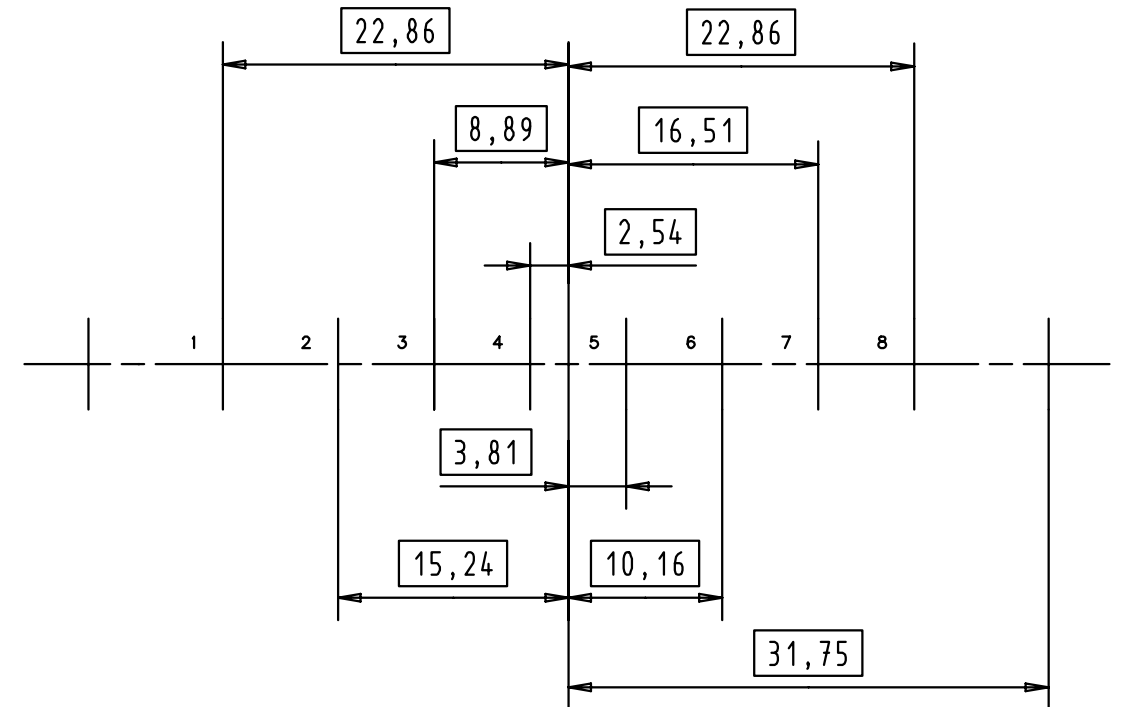


Alle Rechte vorbehalten/ All rights reserved



PCB hole pattern, mounting side



2- Shell
1- insulator

		Nicht tol. Maße/ Free size tol. 2768-m		Ref. MB	
		Oberflächte/ Surface qual.		Mat.	
		Oberflächenschutz/ Coating			
		V= cm ³ A= cm ²			
		Dat. Name Maßstab/ Scale			
		Detail. 17/11/00 AF		Male D-Sub mixed 8W8	
		Insp.			
		Stand.			
27959 17/11/00 AF		HARTING		TB 09 69 410 0088	
Mod. Dat. Name		F-95972 Paris		Sub.	