

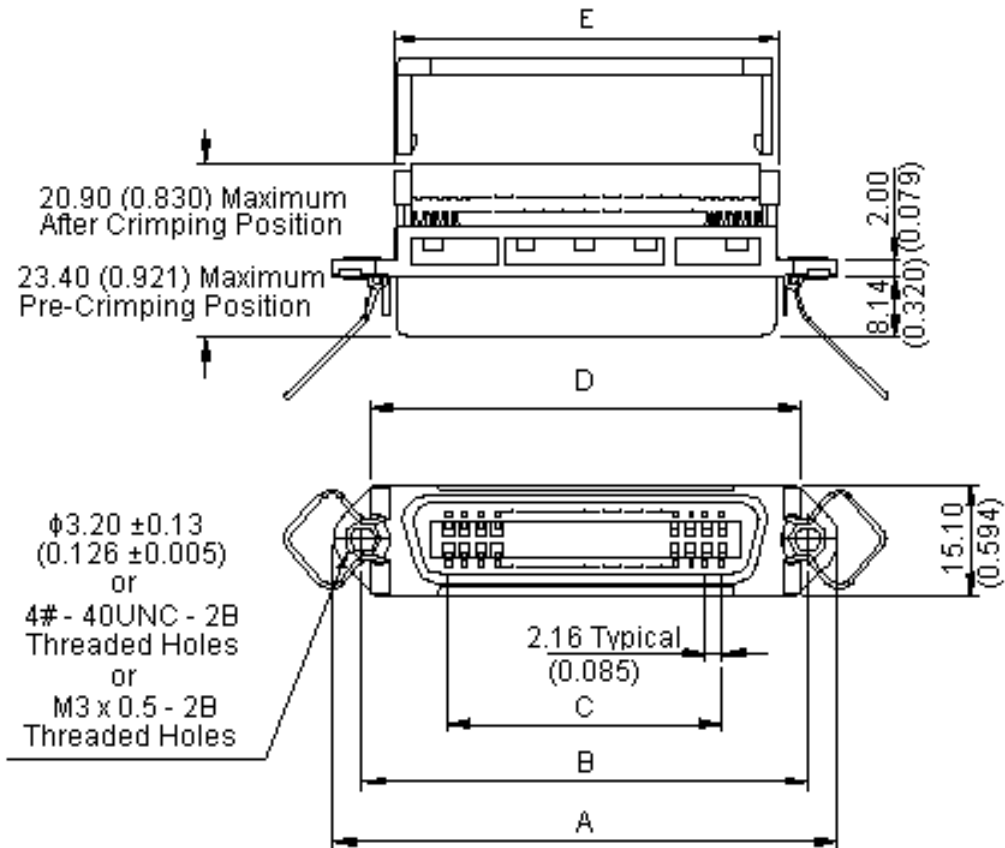


PART NO.

5F40500M-10NR-AE

REVISIONS

ECN #	REV	DESCRIPTION	DRAWN	DATE	CHECKD	DATE	APPRVD	DATE
-	A	RELEASED	Veena	15/04/09	Suresh	15/04/09	Farnell	29/04/09



Dimensions : Millimetres (Inches)

**Specifications:**

Current rating	: 1A : AWG28/1.
	: 2A : 26AWG.
Insulator resistance	: $\geq 1000M\Omega$ .
Dielectric withstanding voltage	: 500V, at sea level.
Operating temperature	: -55°C to +105°C (limited by cable).
Contact resistance	: $\leq 20m\Omega$ .
Dielectric material	: PBT and glass reinforced.
Contact material	: Phosphor bronze.
Contact plating	: Gold over nickel.
Wire size	: 26AWG and 28AWG stranded, 1.27mm conductor centre flat cable.

This data sheet and its contents (the "Information") belong to the Premier Farnell Group (the "Group") or are licensed to it. No licence is granted for the use of it other than for information purposes in connection with the products to which it relates. No licence of any intellectual property rights is granted. The Information is subject to change without notice and replaces all data sheets previously supplied. The Information supplied is believed to be accurate but the Group assumes no responsibility for its accuracy or completeness, any error in or omission from it or for any use made of it. Users of this data sheet should check for themselves the Information and the suitability of the products for their purpose and not make any assumptions based on information included or omitted. Liability for loss or damage resulting from any reliance on the Information or use of it (including liability resulting from negligence or where the Group was aware of the possibility of such loss or damage arising) is excluded. This will not operate to limit or restrict the Group's liability for death or personal injury resulting from its negligence. SPC MULTICOMP is the registered trademark of the Group. © Premier Farnell plc 2009.

TOLERANCES:  
UNLESS OTHERWISE SPECIFIED, DIMENSIONS ARE FOR REFERENCE PURPOSES ONLY.

DRAWN BY:	DATE:
Veena	15/04/09
CHECKED BY:	DATE:
Suresh	15/04/09
APPROVED BY:	DATE:
Farnell	29/04/09

DRAWING TITLE:			
Ribbon Connector Receptacle W/Front Seal			
SIZE	DWG NO.	ELECTRONIC FILE	REV
A	M10002115	61712_DWG	A
SCALE: NTS		U.O.M.: mm (Inches)	SHEET: 1 OF 3

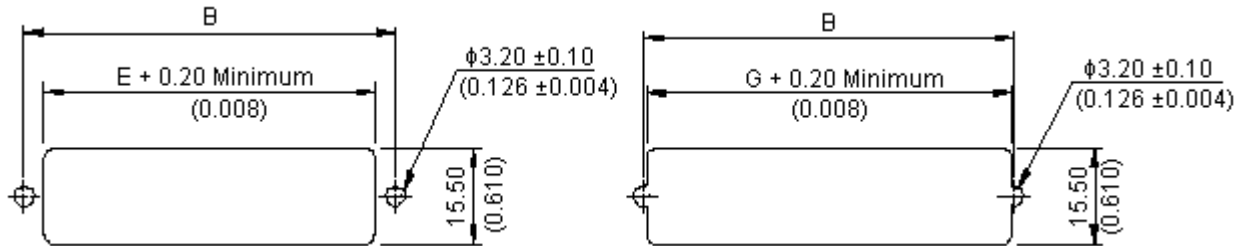


PART NO.

5F40500M-10NR-AE

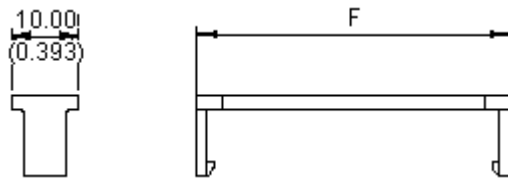
REVISIONS

ECN #	REV	DESCRIPTION	DRAWN	DATE	CHECKD	DATE	APPRVD	DATE
-	A	RELEASED	Veena	15/04/09	Suresh	15/04/09	Farnell	29/04/09



Recommended Front Mount Panel

Recommended Rear Mount Panel



Strain Relief

Specification Table

Number of Positions	A ±0.25 (0.010)	B ±0.13 (0.005)	C ±0.13 (0.005)	D ±0.20 (0.008)	E ±0.25 (0.010)	F ±0.25 (0.010)	G ±0.25 (0.010)	Part Number
500	82.80 (3.260)	74.85 (2.947)	51.84 (2.041)	73.75 (2.904)	68.50 (2.697)	70.90 (2.79)	73.95 (2.911)	5F40500M-10NR-AE

Dimensions : Millimetres (Inches)

This data sheet and its contents (the "Information") belong to the Premier Farnell Group (the "Group") or are licensed to it. No licence is granted for the use of it other than for information purposes in connection with the products to which it relates. No licence of any intellectual property rights is granted. The Information is subject to change without notice and replaces all data sheets previously supplied. The Information supplied is believed to be accurate but the Group assumes no responsibility for its accuracy or completeness, any error in or omission from it or for any use made of it. Users of this data sheet should check for themselves the Information and the suitability of the products for their purpose and not make any assumptions based on information included or omitted. Liability for loss or damage resulting from any reliance on the Information or use of it (including liability resulting from negligence or where the Group was aware of the possibility of such loss or damage arising) is excluded. This will not operate to limit or restrict the Group's liability for death or personal injury resulting from its negligence. SPC MULTICOMP is the registered trademark of the Group. © Premier Farnell plc 2009.

TOLERANCES:  
UNLESS OTHERWISE SPECIFIED, DIMENSIONS ARE FOR REFERENCE PURPOSES ONLY.

DRAWN BY:	DATE:
Veena	15/04/09
CHECKED BY:	DATE:
Suresh	15/04/09
APPROVED BY:	DATE:
Farnell	29/04/09

DRAWING TITLE:			
Ribbon Connector Receptacle W/Front Seal			
SIZE	DWG NO.	ELECTRONIC FILE	REV
A	M10002115	61712_DWG	A
SCALE: NTS	U.O.M.: mm (Inches)	SHEET: 2 OF 3	



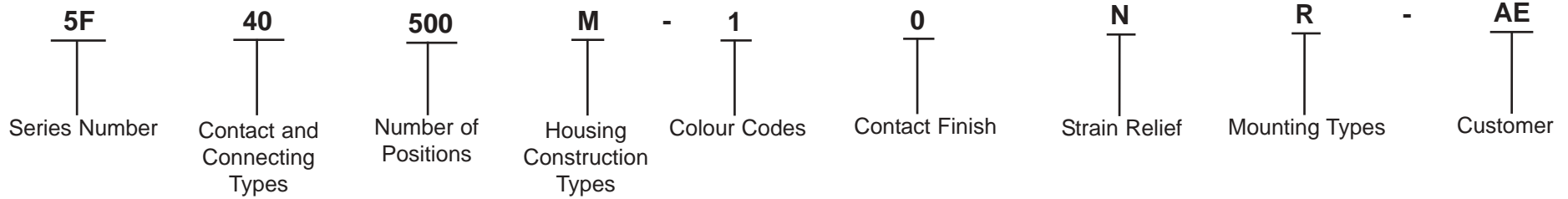
PART NO.

5F40500M-10NR-AE

REVISIONS

ECN #	REV	DESCRIPTION	DRAWN	DATE	CHECKD	DATE	APPRVD	DATE
-	A	RELEASED	Veena	15/04/09	Suresh	15/04/09	Farnell	29/04/09

Part Number Explanation:



- Series Number** : 5F = IDC Ribbon Connector.
- Contact and Connecting Types** : 40 = Socket, Cable to Panel Connecting Type.
- Number of Positions** : 500 = 50 Positions.
- Housing Construction Types** : M = With Metal Front Shell.
- Colour Codes** : 1 = Blue.
- Contact Finish** : 0 = Selective Gold flash Over Nickel.
- Strain Relief** : N = Without Strain Relief.
- Mounting Types** : R = With Rivet Through Holes.
- Customer** : AE = Inland.

<http://www.farnell.com>  
<http://www.newark.com>  
<http://www.cpc.co.uk>

This data sheet and its contents (the "Information") belong to the Premier Farnell Group (the "Group") or are licensed to it. No licence is granted for the use of it other than for information purposes in connection with the products to which it relates. No licence of any intellectual property rights is granted. The Information is subject to change without notice and replaces all data sheets previously supplied. The Information supplied is believed to be accurate but the Group assumes no responsibility for its accuracy or completeness, any error in or omission from it or for any use made of it. Users of this data sheet should check for themselves the Information and the suitability of the products for their purpose and not make any assumptions based on information included or omitted. Liability for loss or damage resulting from any reliance on the Information or use of it (including liability resulting from negligence or where the Group was aware of the possibility of such loss or damage arising) is excluded. This will not operate to limit or restrict the Group's liability for death or personal injury resulting from its negligence. SPC MULTICOMP is the registered trademark of the Group. © Premier Farnell plc 2009.

**TOLERANCES:**  
UNLESS OTHERWISE SPECIFIED, DIMENSIONS ARE FOR REFERENCE PURPOSES ONLY.

<b>DRAWN BY:</b>	<b>DATE:</b>
Veena	15/04/09
<b>CHECKED BY:</b>	<b>DATE:</b>
Suresh	15/04/09
<b>APPROVED BY:</b>	<b>DATE:</b>
Farnell	29/04/09

<b>DRAWING TITLE:</b>			
Ribbon Connector Receptacle W/Front Seal			
<b>SIZE</b>	<b>DWG NO.</b>	<b>ELECTRONIC FILE</b>	<b>REV</b>
A	M10002115	61712_DWG	A
<b>SCALE: NTS</b>		<b>U.O.M.: mm (Inches)</b>	<b>SHEET: 3 OF 3</b>