

MATERIALS AND FINISHES

SOLDER TAIL STEEL WIRE  
PLATED TIN

BODY ZINC ALLOY  
PLATED NICKEL

LOCKWASHER PHOSPHOR BRONZE  
PLATED NICKEL

HOUSING PBT  
COLOR BLACK

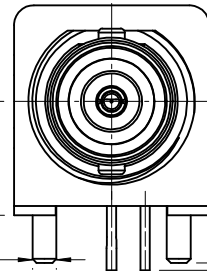
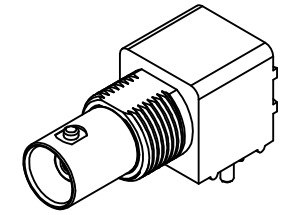
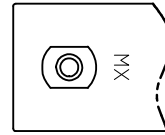
JAM NUT BRASS  
PLATED NICKEL

CENTER CONTACT PHOSPHOR BRONZE  
PLATED GOLD/TIN

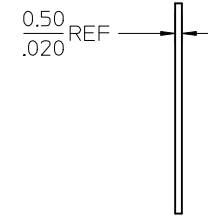
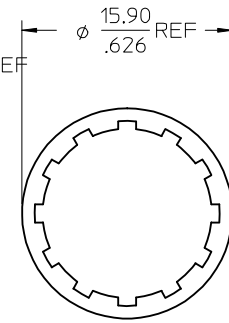
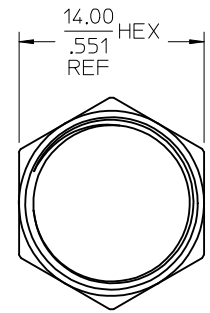
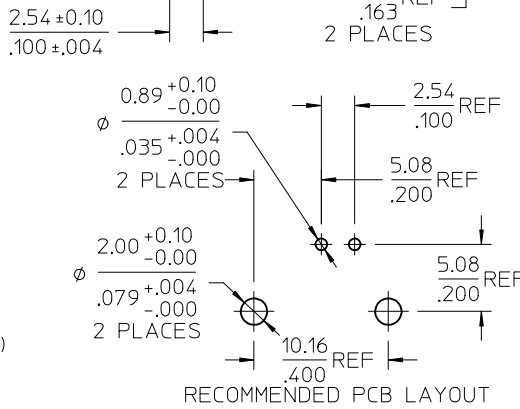
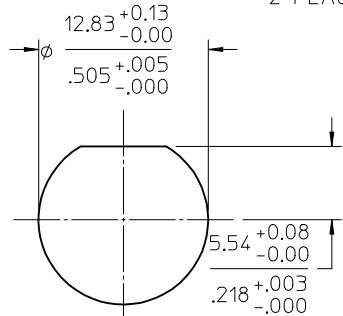
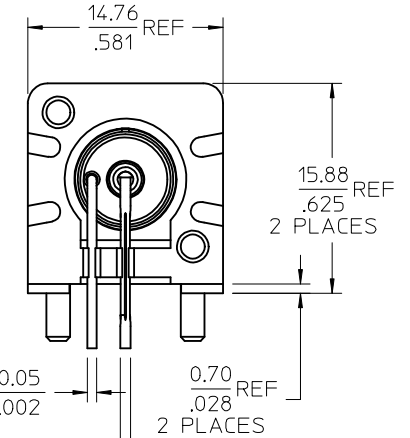
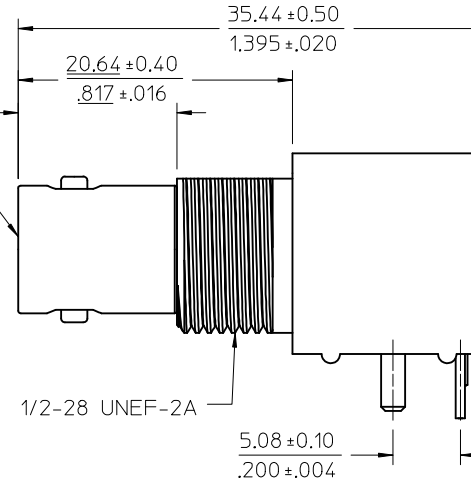
INSULATOR POLYPROPYLENE

MOUNTING POST BRASS  
PLATED TIN

PACKAGING: TRAY



12.00 ± 0.30  
.472 ± .012  
BNC JACK  
INTERFACE



JAM NUT

LOCKWASHER

RECOMMENDED MOUNTING HOLE  
MAXIMUM PANEL THICKNESS: 5.5(.217)  
RECOMMENDED MOUNTING TORQUE:  
0.56 N-m(5 IN-LBS)

PART # 73138-5003

PS-89675-103	ELECTRO/MECH PERFORM.
SPECIFICATION	DESCRIPTION

CHG: PS CHGD  
89675-103 WAS  
73598-0077  
PER RF15-E119  
EC NO: URF2015-0422  
DRW: CWE102 2015/02/10  
CHKD:  
APPR: YCHENG 2015/02/10

QUALITY SYMBOLS  
▽=0  
▽=0  
DESCRIPTION  
REV

GENERAL TOLERANCES (UNLESS SPECIFIED)

	mm	INCH
4 PLACES	± .005	± .0004
3 PLACES	± .003	± .0002
2 PLACES	± .002	± .0001
1 PLACE	± .001	± .00005

ANGULAR ± 2°  
DRAFT WHERE APPLICABLE  
MUST REMAIN  
WITHIN DIMENSIONS

DIMENSION STYLE  
MM/IN

DRAWN BY	DATE
LILY	1992/01/23
CHECKED BY	DATE
DENG	1992/01/23
APPROVED BY	DATE

MATERIAL NO.  
731385003  
SIZE  
C

SCALE  
DESIGN UNITS  
METRIC  
THIRD ANGLE PROJECTION

TITLE  
BNC JACK, R/A PCB  
50 OHMS, EWR-2081  
BNC-J/BLK/PCB

molex MOLEX INCORPORATED  
DOCUMENT NO.  
SD-73138-5003  
SHEET NO.  
1 OF 1

THIS DRAWING CONTAINS INFORMATION THAT IS PROPRIETARY TO MOLEX INCORPORATED AND SHOULD NOT BE USED WITHOUT WRITTEN PERMISSION