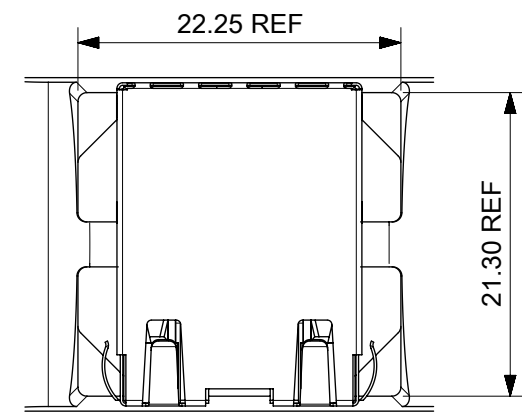
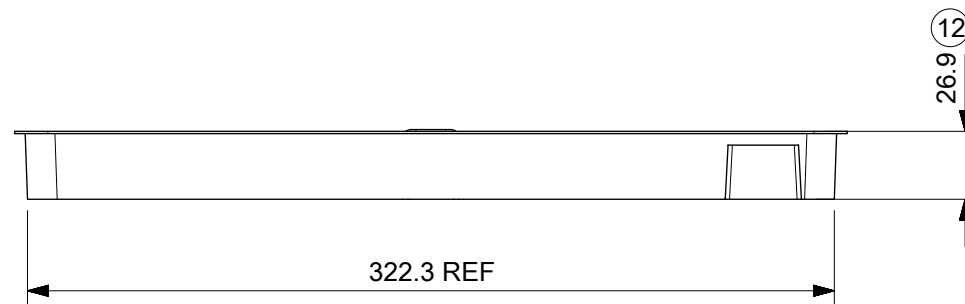
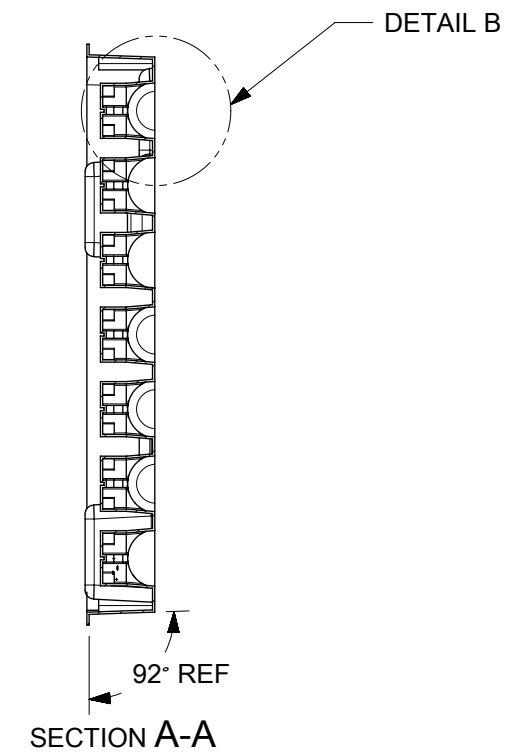
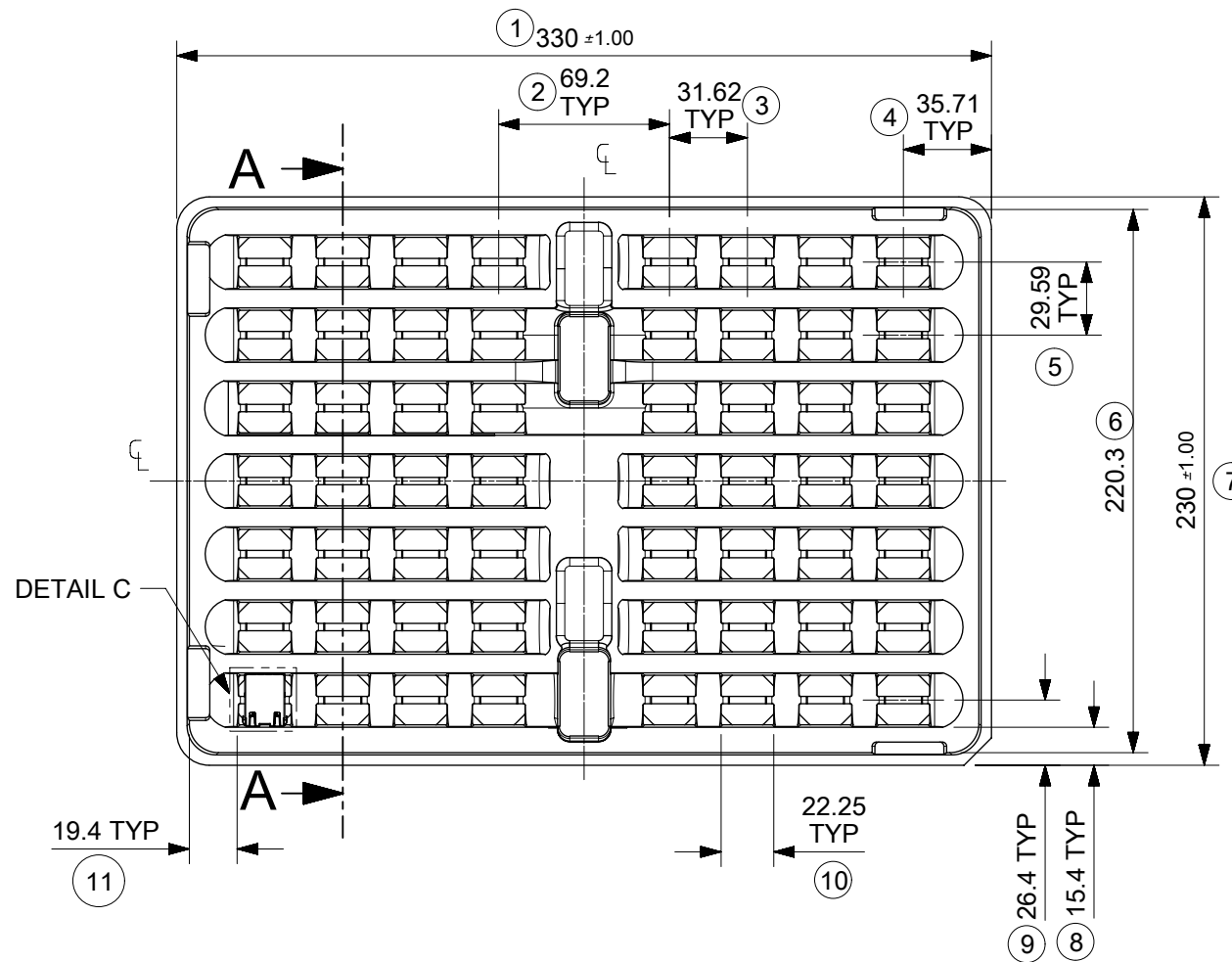


DETAIL B



DETAIL C
SCALE 2:1



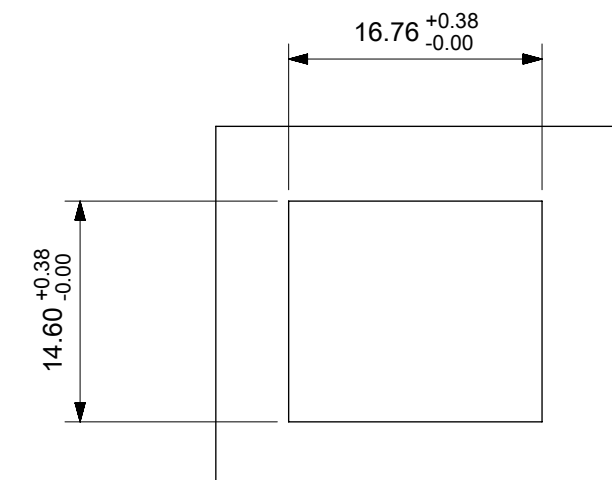
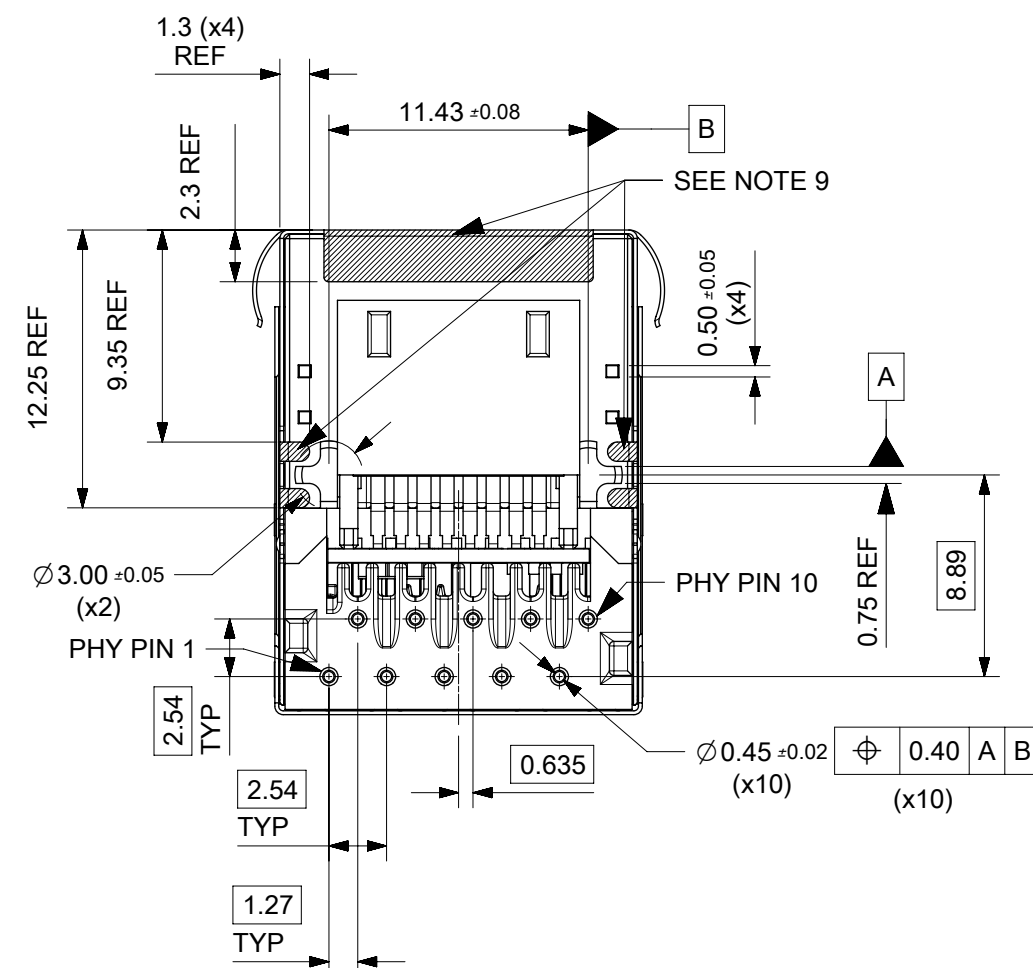
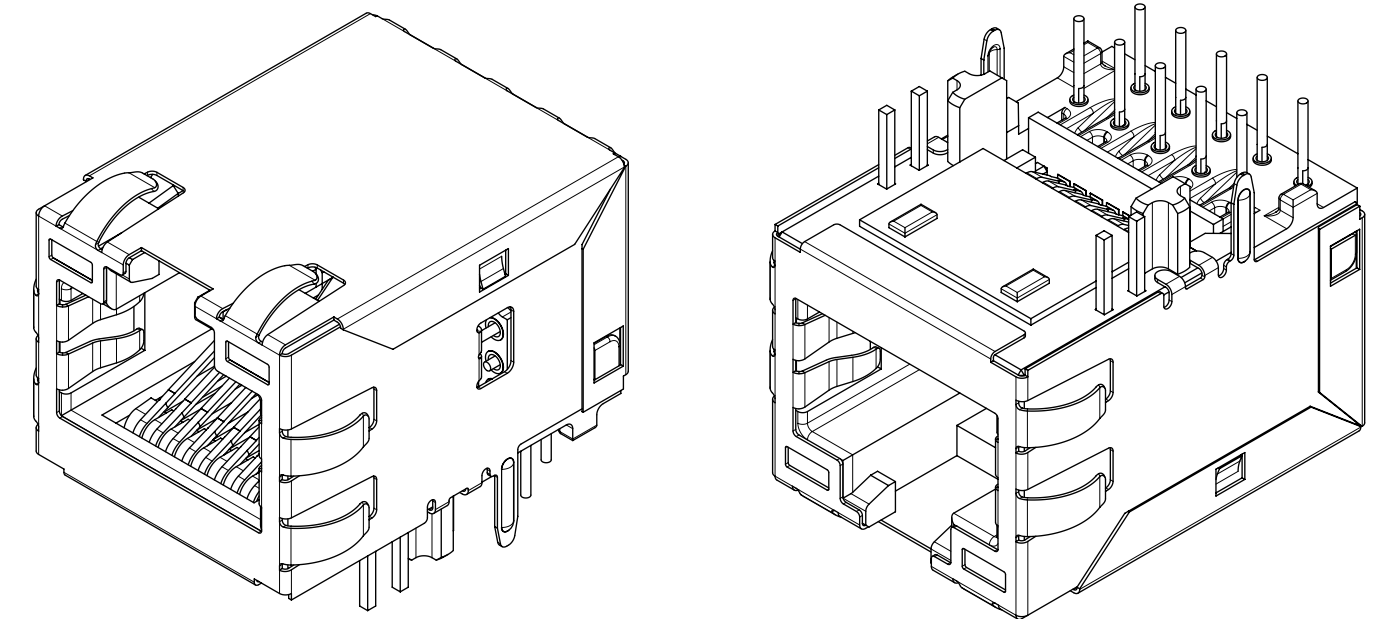
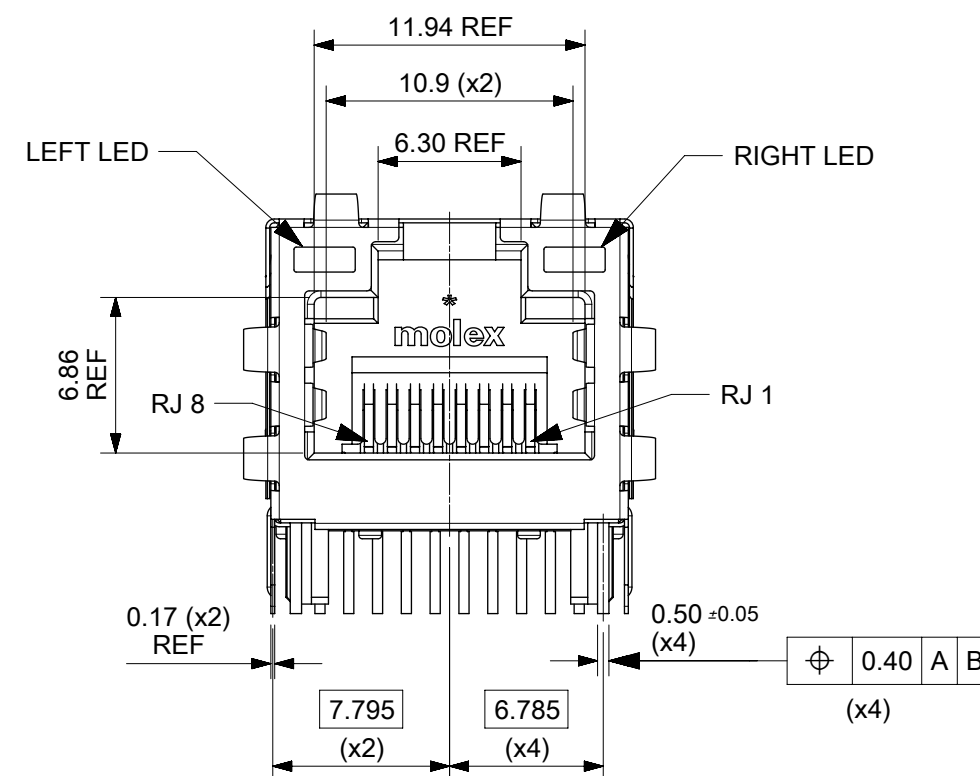
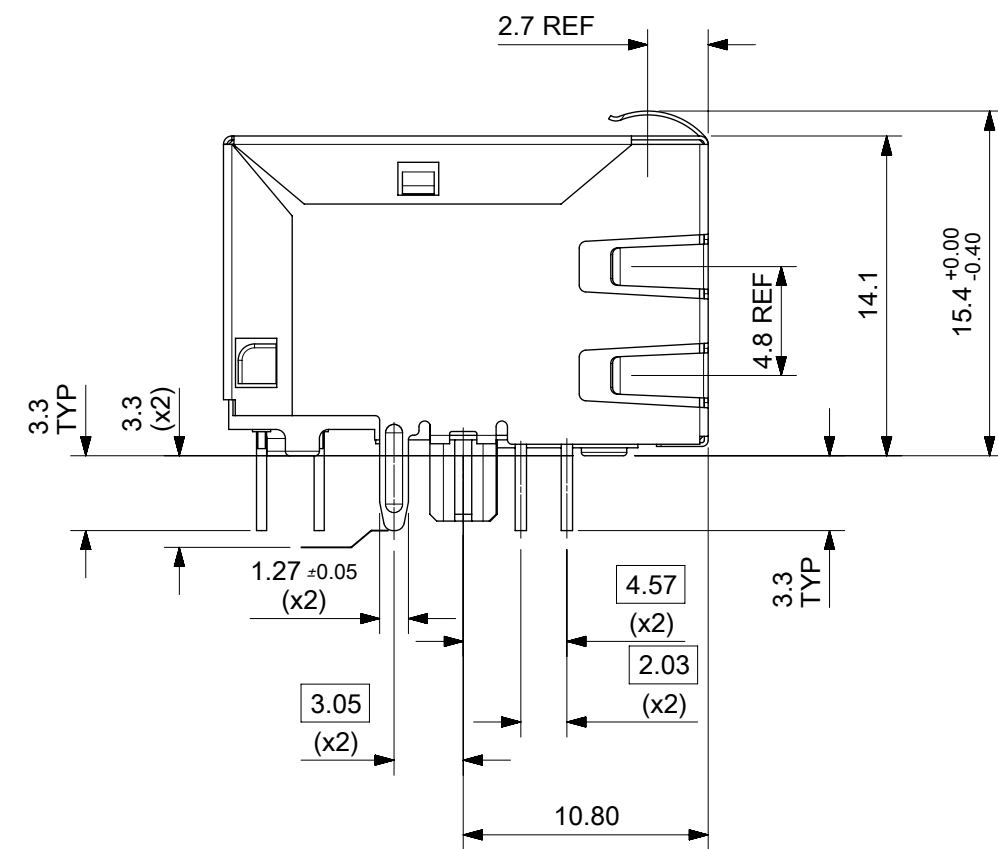
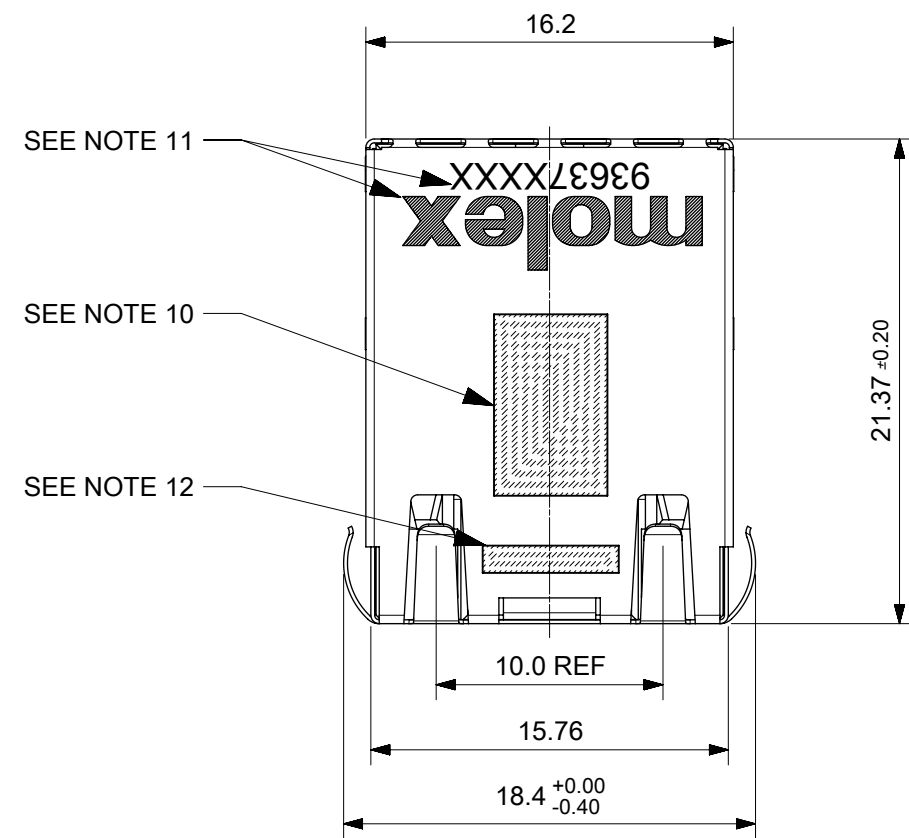
NOTES:

1. MATERIAL: PETA ANTISTATIC
2. THICKNESS: 0.9 mm ± 0.05 mm
3. COLOUR: CLEAR
4. BOW 2 mm MAXIMUM PER 330 mm
5. TWIST 2 mm MAXIMUM PER 330 mm
6. TRAY PART NO. AND RECYCLE LOGO TO BE CLEARLY MARKED ON TRAY
RECYCLE LOGO SHOULD BE APPROPRIATE TO MATERIAL USED
7. WHERE RELEVANT, DIMENSIONS SHOULD BE SYMMETRICAL ABOUT THE CENTRELINE
8. GENERAL PROFILE TOLERANCE $\overline{\cup}$ 0.40 ON NON DIMENSIONED FEATURES

LAST INSPECTION NUMBER USED: 12

THIS DRAWING CONTAINS INFORMATION THAT IS PROPRIETARY TO MOLEX ELECTRONIC TECHNOLOGIES, LLC AND SHOULD NOT BE USED WITHOUT WRITTEN PERMISSION									
DIMENSION UNITS		SCALE		CURRENT REV DESC: REMOVED REFERENCE TO QUANTITY OF TRAYS PER STACK				molex	
mm		1:3							
GENERAL TOLERANCES (UNLESS SPECIFIED)				EC NO: 602124				MXMAG STANDARD AND INVERTED TRAY	
ANGULAR TOL ± 1.0°				DRWN: DSHEA 2018/09/07					
4 PLACES ±				CHK'D: DBYRNES 2019/01/25					
3 PLACES ±				APPR: DBYRNES 2019/01/25					
2 PLACES ± 0.2				INITIAL REVISION:				PRODUCT CUSTOMER DRAWING	
1 PLACE ± 0.5				DRWN: KREILLY 2016/05/06				DOCUMENT NUMBER	
0 PLACES ±				APPR: STGRIFFIN 2016/12/07				934620003	
DRAFT WHERE APPLICABLE MUST REMAIN WITHIN DIMENSIONS		THIRD ANGLE PROJECTION		DRAWING		SERIES		MATERIAL NUMBER	
		A3-SIZE		93462		990250150		CUSTOMER	
						GENERAL MARKET		SHEET NUMBER	
								1 OF 1	

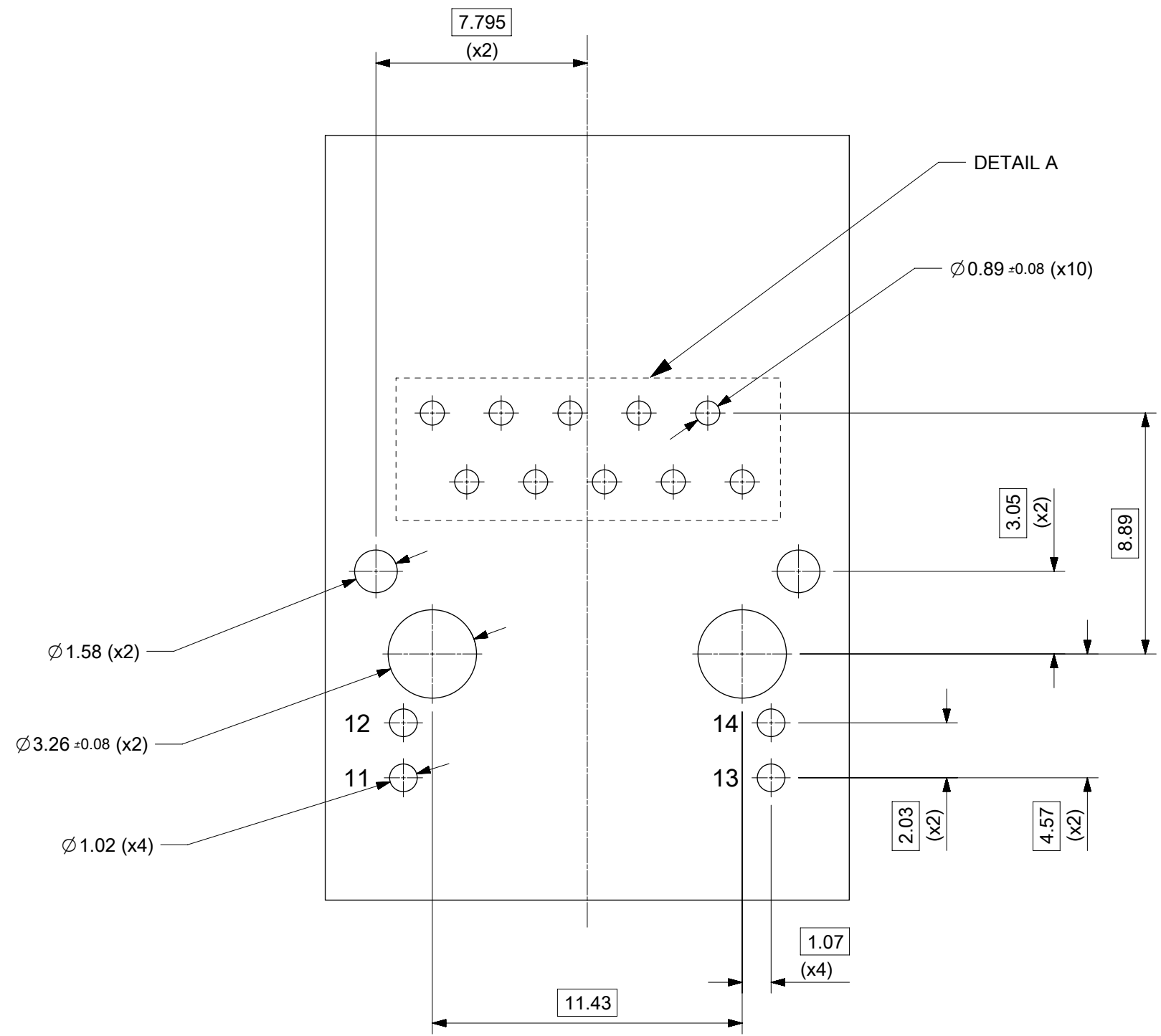
INVERTED PROFILE MAGNETIC JACK
GIGABIT ETHERNET W/LED
AND W/SHIELD TABS



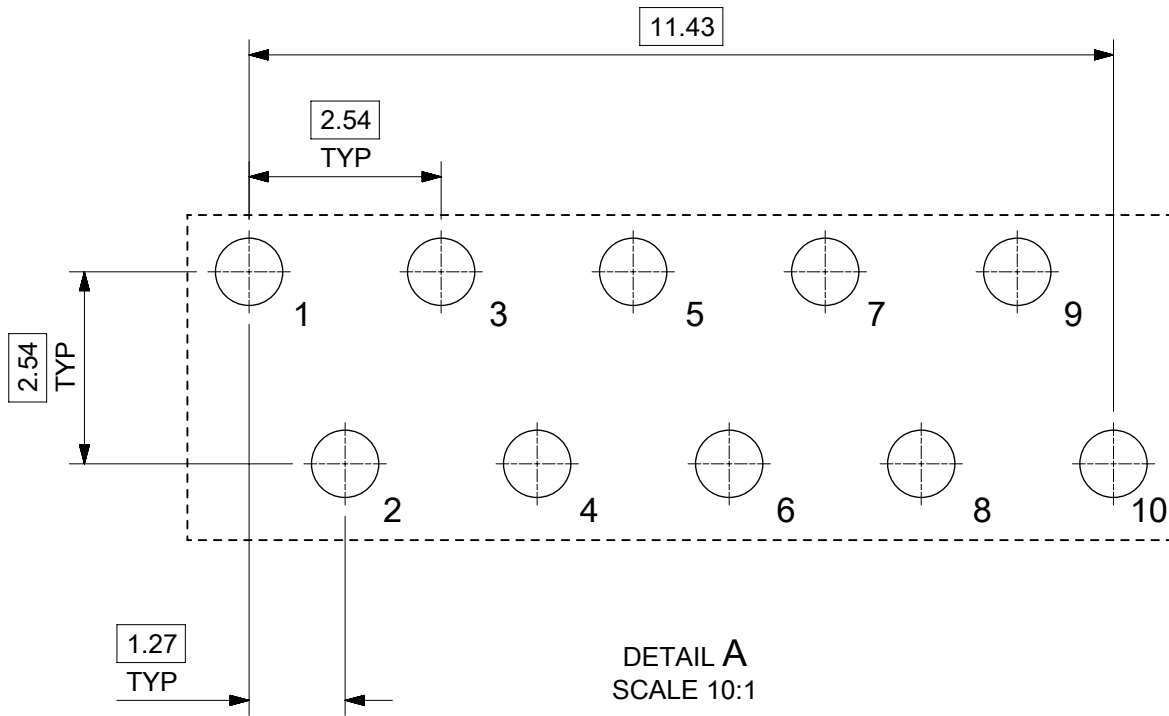
SUGGESTED PANEL CUT-OUT

- NOTES:
- 1 - SHIELD MATERIAL: 0.17 mm THICK BRASS PRE-PLATED WITH NICKEL
SOLDER TABS POST DIPPED WITH MIN 1.27 μm TIN
 - 2 - HOUSING MATERIAL: LCP, BLACK, UL 94V-0
 - 3 - TERMINALS MATERIAL: PHOSPHOR BRONZE
RJ45 CONTACTS PLATING: BASE NICKEL PLATED WITH GOLD
FLASH OVER PALLADIUM NICKEL. REFER TO 934620001 PSP
PHY SOLDER TAILS: COPPER ALLOY
 - 4 - MATING INTERFACE ACCORDING TO IEC 60603-7 & TIA-1096-A
 - 5 - PRODUCT SPECIFICATION: 934620001 PSP
 - 6 - PACKAGING SPECIFICATION: 934620001 PSK TRAY
 - 7 - STAND OFF TO SYSTEM BOARD 0.30 mm MIN
 - 8 - RECOMMENDED PCB THICKNESS: 1.57 mm
 - 9 - SHIELD: AVOID ROUTING ANY TRACES
OR PLACING ANY VIAS BELOW THESE AREAS
 - 10 - AREA FOR PICK AND PLACE: 5.0 mm X 8.0 mm
 - 11 - INSCRIPTION MARKED BY LASER:
1st : MOLEX
2nd : P/N (SEE BOM)
 - 12 - INSCRIPTION MARKED BY LASER:
DATE CODE(DAY/WEEK/YEAR)
 - 13 - MATERIAL COMPLIANT TO RoHS DIRECTIVE 2002/95/EC

THIS DRAWING CONTAINS INFORMATION THAT IS PROPRIETARY TO MOLEX ELECTRONIC TECHNOLOGIES, LLC AND SHOULD NOT BE USED WITHOUT WRITTEN PERMISSION		GENERAL TOLERANCES (UNLESS SPECIFIED)		DIMENSION UNITS	SCALE	molex INV MX-MAG 12 CORE GIG W/LEDS W/SHIELDS			
REVISIONS		ANGULAR TOL ± 2.0 °		mm	3:1				PRODUCT CUSTOMER DRAWING
EC NO: 116686	2017/05/09	DRWN: KREILLY	2017/09/12	4 PLACES ±	DRWN BY	DATE	SERIES	MATERIAL NUMBER	CUSTOMER
CHKD: DSHEA	2017/09/12	APPR: DBYRNES	2017/09/26	3 PLACES ±	KREILLY	2015/09/29	93637	SEE TABLE ON SHEET 2	GENERAL MARKET
REV: APPR: DBYRNES				2 PLACES ± 0.1	CHK'D BY	DATE			
				1 PLACE ± 0.2	DBYRNES	2017/02/22			
				0 PLACES ±	APPR BY	DATE			
					STGRIFFIN	2015/11/19			
				DRAFT WHERE APPLICABLE MUST REMAIN WITHIN DIMENSIONS	DRAWING SIZE	THIRD ANGLE PROJECTION			
					A2				
							DOCUMENT NUMBER	DOC TYPE	DOC PART
							936370003	PSD	000
									SHEET NUMBER
									1 OF 3



SUGGESTED BOARD LAYOUT
GIGABIT VERSION
COMPONENT SIDE
ALL DIMS REFERENC DIMS



DETAIL A
SCALE 10:1

PIN CONFIGURATION
FOR GIGABIT VERSION

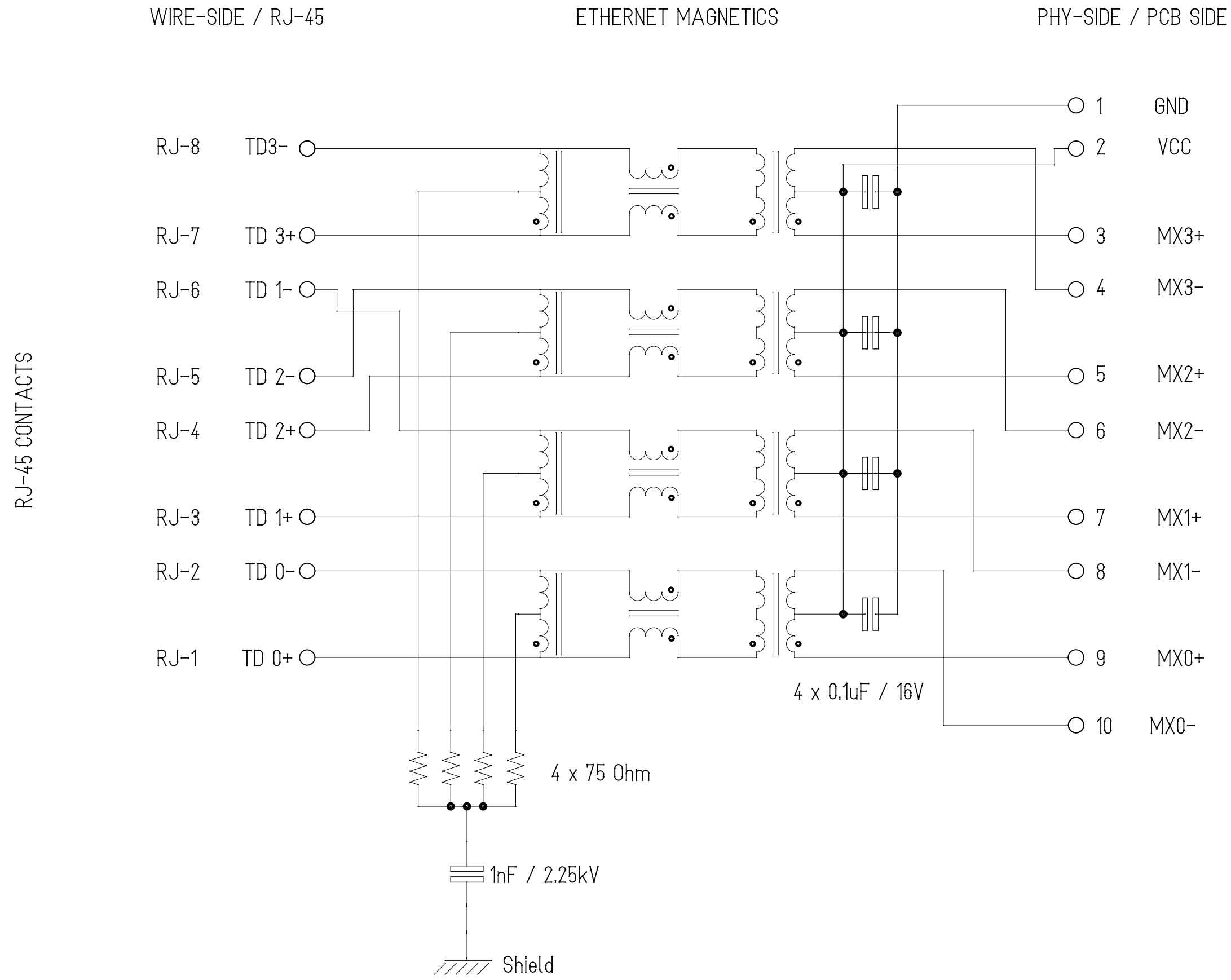
PART NUMBER	LEFT LED	RIGHT LED
93637-8617	GREEN/ORANGE	YELLOW

THIS DRAWING CONTAINS INFORMATION THAT IS PROPRIETARY TO MOLEX ELECTRONIC TECHNOLOGIES, LLC AND SHOULD NOT BE USED WITHOUT WRITTEN PERMISSION

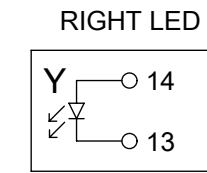
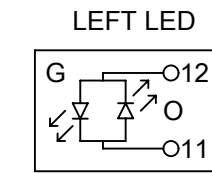
REVISED EC NO: 116686 DRWN: KREILLY CHKD: DSHEA REV APPR: DBYRNES	2017/05/09	GENERAL TOLERANCES (UNLESS SPECIFIED)	DIMENSION UNITS	SCALE		
	2017/09/12	4 PLACES ±	mm	5:1		
	2017/09/26	3 PLACES ±	ANGULAR TOL ± 2.0 °	DRWN BY		DATE
		2 PLACES ± 0.1		KREILLY		2015/09/29
		1 PLACE ± 0.2		CHK'D BY		DATE
	0 PLACES ±		DBYRNES	2017/02/22		
			APPR BY	DATE		
			STGRIFFIN	2015/11/19		
			DRAFT WHERE APPLICABLE MUST REMAIN WITHIN DIMENSIONS	DRAWING SIZE	THIRD ANGLE PROJECTION	
			A2			

PRODUCT CUSTOMER DRAWING		
SERIES	MATERIAL NUMBER	CUSTOMER
93637	SEE TABLE	GENERAL MARKET
DOCUMENT NUMBER	DOC TYPE	DOC PART SHEET NUMBER
936370003	PSD	000 2 OF 3

Description	Value	
OCL @100 kHz, 0.1 V 8 mA DC bias (-40°C to +85°C)	350 µH min.	
Turns ratio	1CT:1CT	
Transmission characteristics @ 25°C, all four pairs		
Insertion Loss		
Frequency f, (MHz)	Limits (dB max.)	Typical Values (dB max.)
1.0-9.9	0.4+0.1*log(f)	0.5 @ 10 MHz
10-49.9	0.5+0.3*log(f/10)	0.7 @ 50 MHz
50-79.9	1+1.4*log(f/80)	1.0 @ 80 MHz
80-100	1.3+3*log(f/100)	1.3 @ 100 MHz
Return Loss		
Frequency f, (MHz)	Limits (dB min.)	Typical Values (dB min.)
1.0-39.9	18	18 @ 40 MHz
40-100	12-20*log(f/80)	10 @ 100 MHz
CMR		
Frequency f, (MHz)	Limits (dB min.)	Typical Values (dB min.)
1.0-100	30	30 @ 100 MHz
Next		
Frequency f, (MHz)	Limits (dB min.)	Typical Values (dB min.)
1.0-39.9	35	35 @ 40 MHz
40-100	33-20*log(f/50)	27 @ 100 MHz
Isolation PHY to wire side	2.25 kVDC/60sec	



ETHERNET TERMINALS



THIS DRAWING CONTAINS INFORMATION THAT IS PROPRIETARY TO MOLEX ELECTRONIC TECHNOLOGIES, LLC AND SHOULD NOT BE USED WITHOUT WRITTEN PERMISSION

REVISED EC NO: 116686 DRWN: KREILLY CHK'D: DSHEA REV APPR: DBYRNES	2017/05/09	2017/09/12	2017/09/26	GENERAL TOLERANCES (UNLESS SPECIFIED)	DIMENSION UNITS	SCALE			
				ANGULAR TOL ± 2.0 °	mm	1:1			
				4 PLACES ±	DRWN BY	DATE		INV MX-MAG 12 CORE GIG W/LEDS W/SHIELDS	
				3 PLACES ±	KREILLY	2015/09/29			
				2 PLACES ± 0.1	CHK'D BY	DATE			
			1 PLACE ± 0.2	DBYRNES	2017/02/22				
			0 PLACES ±	APPR BY	DATE	PRODUCT CUSTOMER DRAWING			
			DRAFT WHERE APPLICABLE MUST REMAIN WITHIN DIMENSIONS	DRAWING SIZE	THIRD ANGLE PROJECTION	SERIES	MATERIAL NUMBER	CUSTOMER	
			A2	A2	THIRD ANGLE PROJECTION	93637	SEE TABLE ON SHEET 2	GENERAL MARKET	
						DOCUMENT NUMBER	DOC TYPE	DOC PART	SHEET NUMBER
						936370003	PSD	000	3 OF 3