

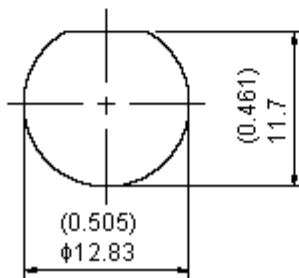
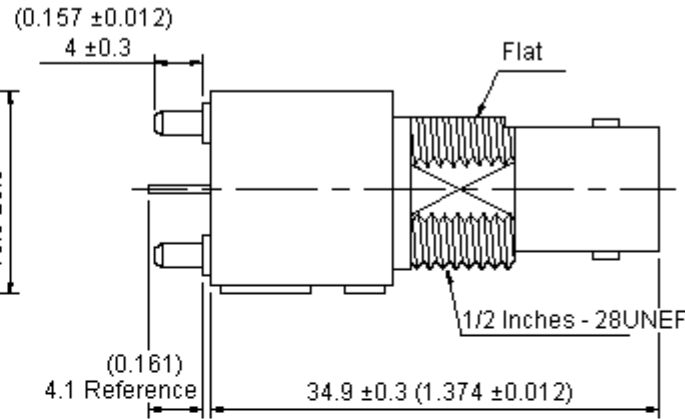
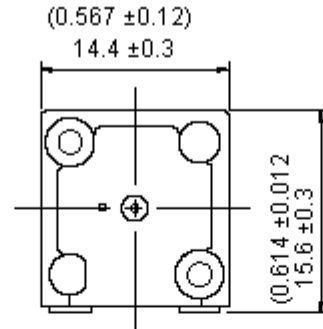
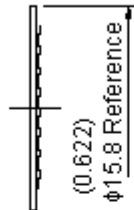
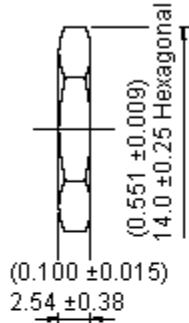


PART NO.

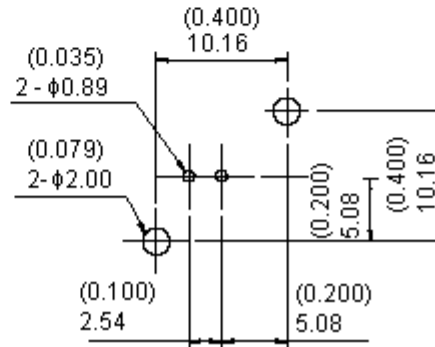
13-60-7 DGZ

REVISIONS

ECN #	REV	DESCRIPTION	DRAWN	DATE	CHECKD	DATE	APPRVD	DATE
-	A	RELEASED	Ramya	25/05/09	Suresh	25/05/09	Farnell	08/06/09



Mounting Hole



PCB Configuration

Dimensions : Millimetres (Inches)

This data sheet and its contents (the "Information") belong to the Premier Farnell Group (the "Group") or are licensed to it. No licence is granted for the use of it other than for information purposes in connection with the products to which it relates. No licence of any intellectual property rights is granted. The Information is subject to change without notice and replaces all data sheets previously supplied. The Information supplied is believed to be accurate but the Group assumes no responsibility for its accuracy or completeness, any error in or omission from it or for any use made of it. Users of this data sheet should check for themselves the Information and the suitability of the products for their purpose and not make any assumptions based on information included or omitted. Liability for loss or damage resulting from any reliance on the Information or use of it (including liability resulting from negligence or where the Group was aware of the possibility of such loss or damage arising) is excluded. This will not operate to limit or restrict the Group's liability for death or personal injury resulting from its negligence. SPC MULTICOMP is the registered trademark of the Group. © Premier Farnell plc 2009.

TOLERANCES:

UNLESS OTHERWISE SPECIFIED, DIMENSIONS ARE FOR REFERENCE PURPOSES ONLY.

DRAWN BY:	DATE:
Ramya	25/05/09
CHECKED BY:	DATE:
Suresh	25/05/09
APPROVED BY:	DATE:
Farnell	08/06/09

DRAWING TITLE:

BNC Socket - PCB, Straight

SIZE	DWG NO.	ELECTRONIC FILE	REV
A	M10002233	1712356-TDS_DWG	A
SCALE: NTS	U.O.M.: mm (Inches)	SHEET: 1 OF 2	



PART NO.

13-60-7 DGZ

REVISIONS

ECN #	REV	DESCRIPTION	DRAWN	DATE	CHECKD	DATE	APPRVD	DATE
-	A	RELEASED	Ramya	25/05/09	Suresh	25/05/09	Farnell	08/06/09

Specifications:

Mechanical Characteristics:

Mating/unmating : 500 cycles.

Electrical Characteristics:

Normal impedance : 50Ω.

Frequency range : 0 to 1GHz.

Testing voltage : 500V_{rms}.

Dielectric withstanding voltage : 1500V_{rms}.

Minimum insulation resistance : 5000MΩ.

Environmental Characteristics:

Temperature range : -40°C to +60°C.

Thermal shock : MIL-STD-202, Method 107, Condition B.

Physical shock : MIL-STD-202, Method 204, Condition B.

Specification Table

Item	Description	Material	Finish	Part Number
1	Mounting Post	Brass	Tin	13-60-7 DGZ
2	Body	Zinc Alloy	Nickel	
3	Nut	Brass		
4	Washer	S50C		
5	Insulation	Polypropylene	None	
6	Centre Contact	Phosphor Bronze with Gold Plating at Contact Area Tin Plating at Tail	Gold Tin	
7	Solder Pin	Copper Wire	Tin	

<http://www.farnell.com>

<http://www.newark.com>

<http://www.cpc.co.uk>

This data sheet and its contents (the "Information") belong to the Premier Farnell Group (the "Group") or are licensed to it. No licence is granted for the use of it other than for information purposes in connection with the products to which it relates. No licence of any intellectual property rights is granted. The Information is subject to change without notice and replaces all data sheets previously supplied. The Information supplied is believed to be accurate but the Group assumes no responsibility for its accuracy or completeness, any error in or omission from it or for any use made of it. Users of this data sheet should check for themselves the Information and the suitability of the products for their purpose and not make any assumptions based on information included or omitted. Liability for loss or damage resulting from any reliance on the Information or use of it (including liability resulting from negligence or where the Group was aware of the possibility of such loss or damage arising) is excluded. This will not operate to limit or restrict the Group's liability for death or personal injury resulting from its negligence. SPC MULTICOMP is the registered trademark of the Group. © Premier Farnell plc 2009.

TOLERANCES:

UNLESS OTHERWISE SPECIFIED, DIMENSIONS ARE FOR REFERENCE PURPOSES ONLY.

DRAWN BY:

Ramya

DATE:

25/05/09

CHECKED BY:

Suresh

DATE:

25/05/09

APPROVED BY:

Farnell

DATE:

08/06/09

DRAWING TITLE:

BNC Socket - PCB, Straight

SIZE
A

DWG NO.

M10002233

ELECTRONIC FILE
1712356-TDS_DWG

REV
A

SCALE: NTS

U.O.M.: mm (Inches)

SHEET: 2 OF 2