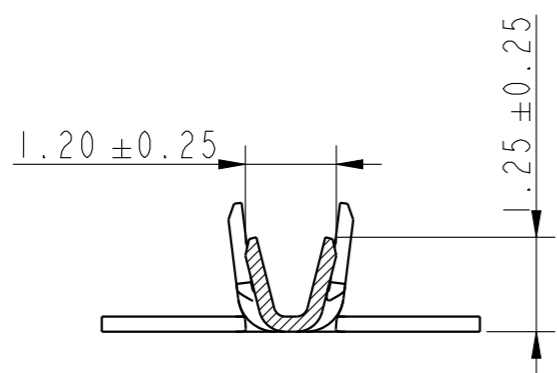
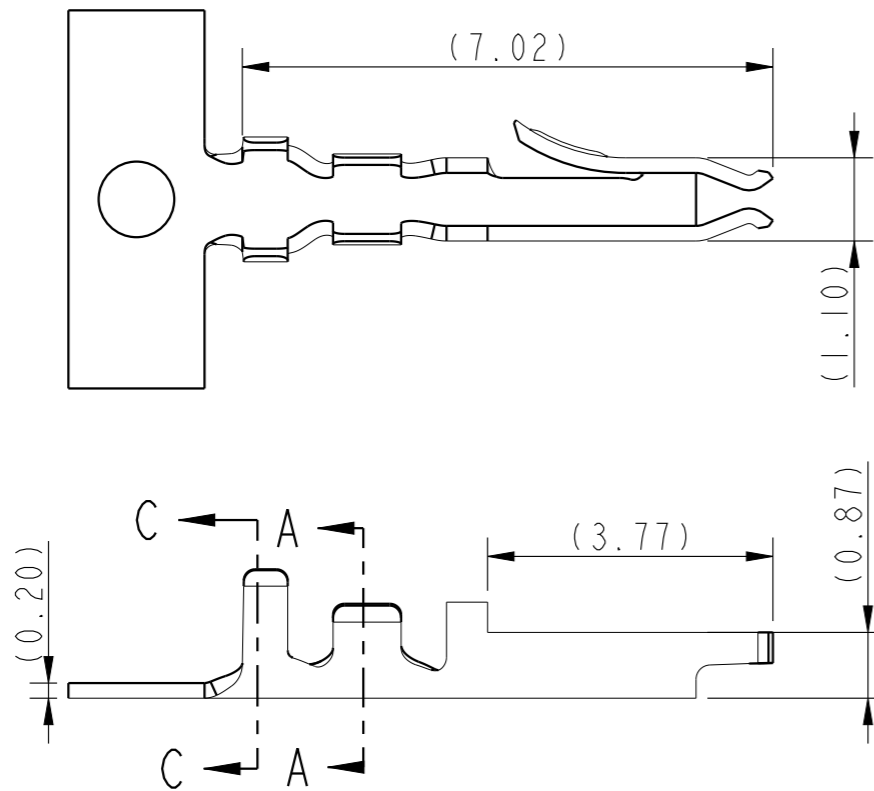


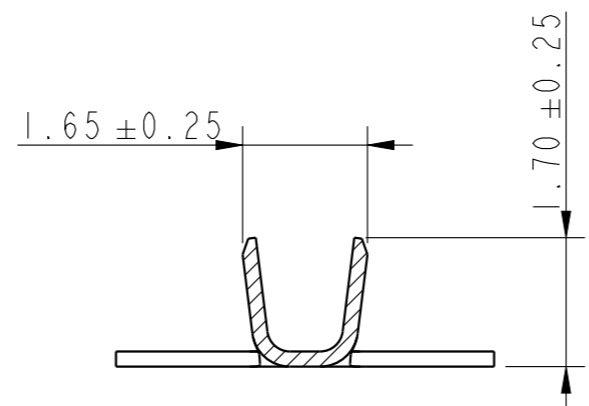
PRODUCT NUMBER

10161952-YXXXLF

RoHS COMPATIBLE,  
LEAD FREE  
LUBRICANT  
APPLICABLE AWG  
MATERIAL  
PLATING



SECTION A-A



SECTION C-C

NOTES

- 1- PLATING :
  - 1- 2.54µm MINIMUM MATTE TIN OVERALL
  - 1.27µm MINIMUM NICKEL UNDERLAYER (POST PLATED).
  - 2- 1-2µm MINIMUM MATTE TIN OVERALL
  - 0.5µm COPPER UNDERCOAT, REFLOW (PRE-PLATED)
  - 3- Gold Flash Overall
  - 4- 0.38µm MINIMUM Au ON CONTACT AREA,
  - 2.54µm MINIMUM TIN ON CRIMP AREA (See Note-9)
  - 5- 0.76µm MINIMUM Au ON CONTACT AREA,
  - 2.54µm MINIMUM TIN ON CRIMP AREA (See Note-9)
- 2- MATERIAL
  - 2- BRASS
- 3- APPLICABLE AWG
  - 1- AWG #28 (Max. insulation dia:1.2mm)
- 4- LUBRICANT :
  - 0- NONE
- 5 THIS TERMINAL USED WITH AFCI RECEPTACLE HOUSING 10161719
- 6. APPLICATION SPECIFICATION : GS-20-0704.
- 7. PRODUCT SPECIFICATION : GS-12-1706
- 8- REEL PACKING: GS-14-2802
- 9- YET TO BE TOOLED UP

spec ref		dr	Akhil Rajan	2021/06/28	projection	MM	size	A3	scale	10:1
tolerance std		eng	Paul Mithun	2021/06/30			ecn no		rel level	
ISO 406 ISO 1101		chr	-	-			-		Released	
TOLERANCES UNLESS OTHERWISE SPECIFIED		appr	Kuriakose, San	2021/06/30	product family		MINITEK POWER			
surface	linear	0.X	±0.30			28AWG SIGNAL TERMINAL		dwg no 10161952	rev	
		0.XX	±0.25			Minitek PWR CEM-5 12VHPWR			A	
ISO 1302	angular	0°	±2°		amphenol-icc.com	cat. no.	-		Product - Customer Drw	