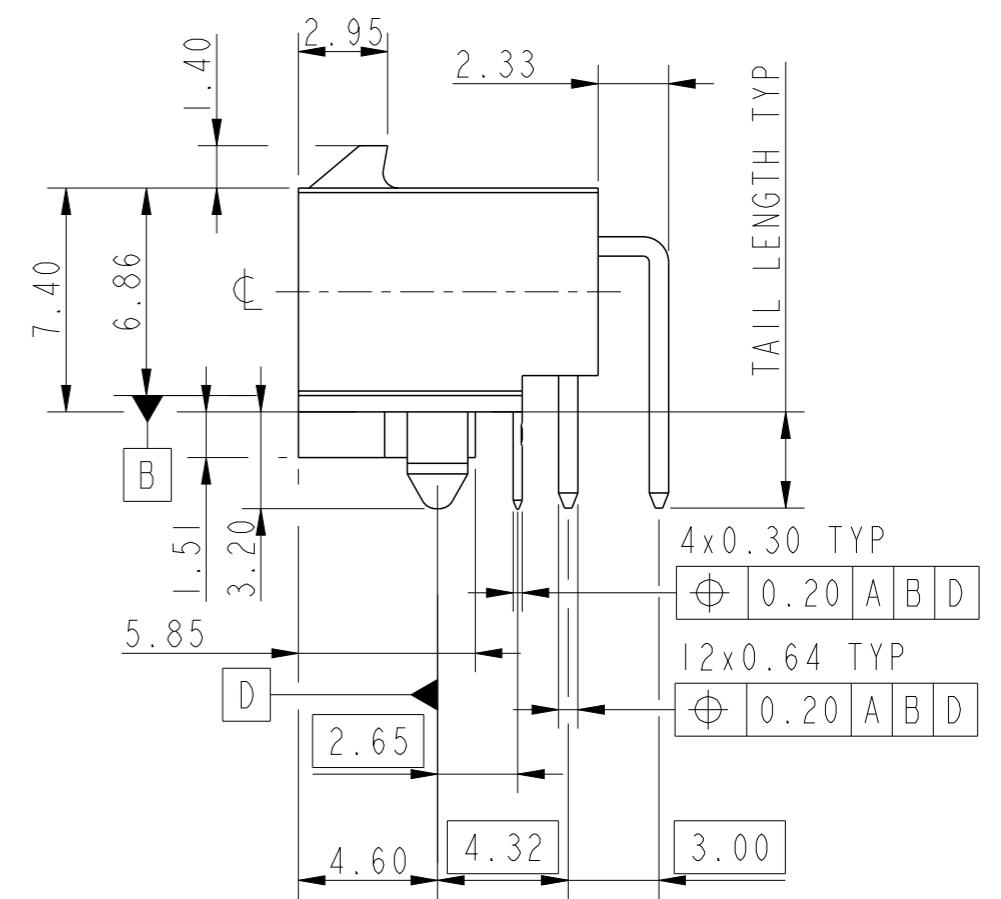
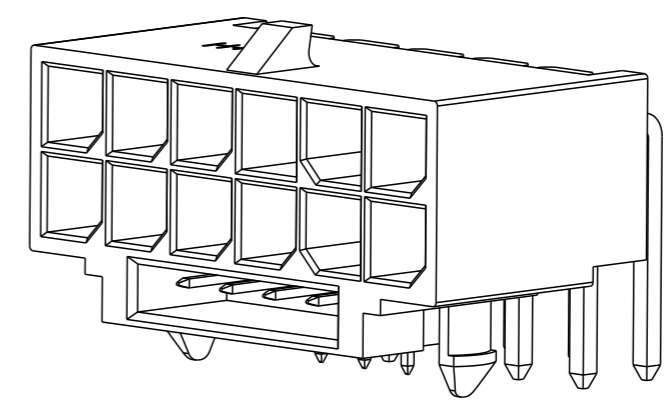
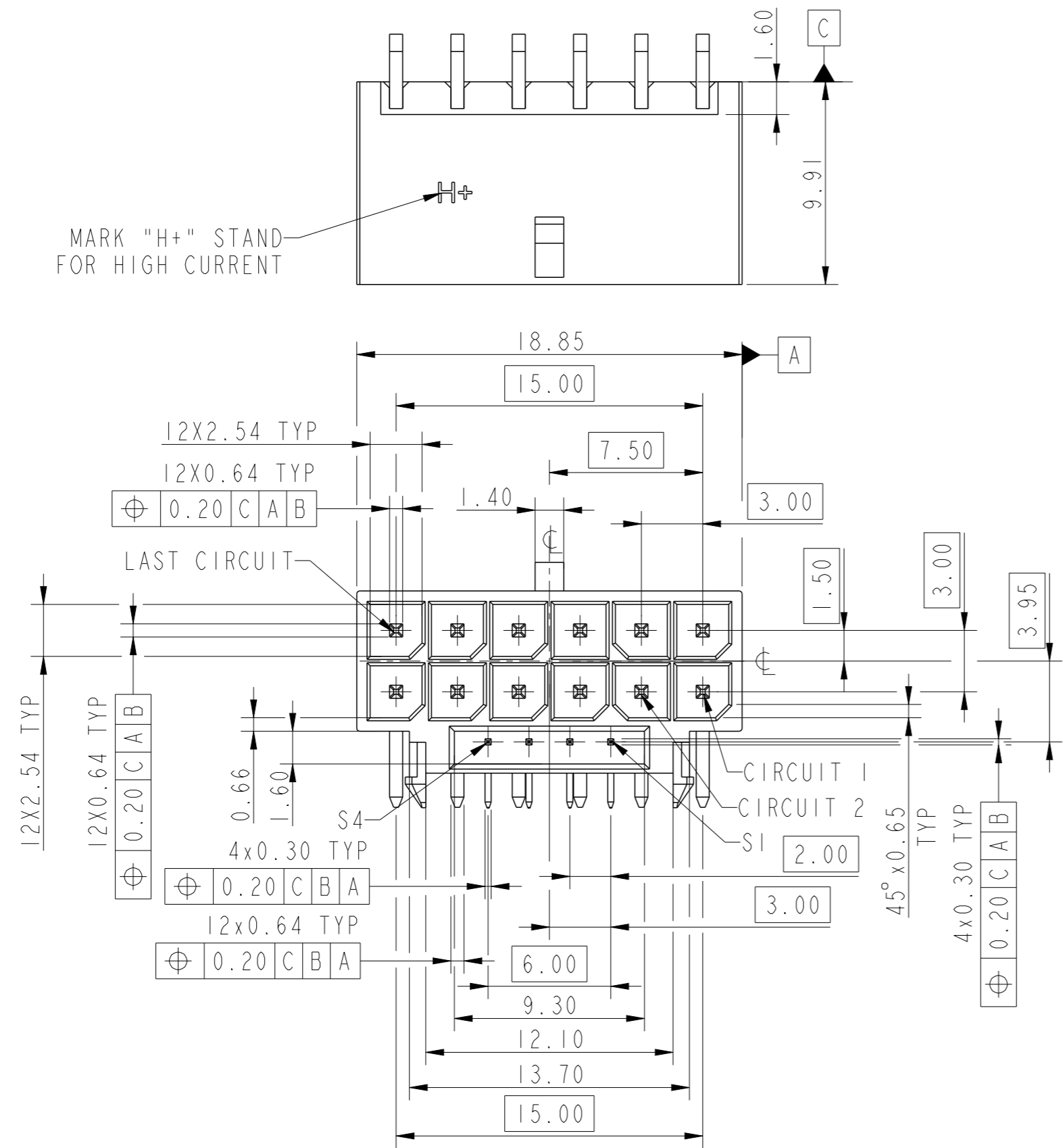


P/N: 10160920-124XXXXLF

MARK "H+" STAND FOR HIGH CURRENT

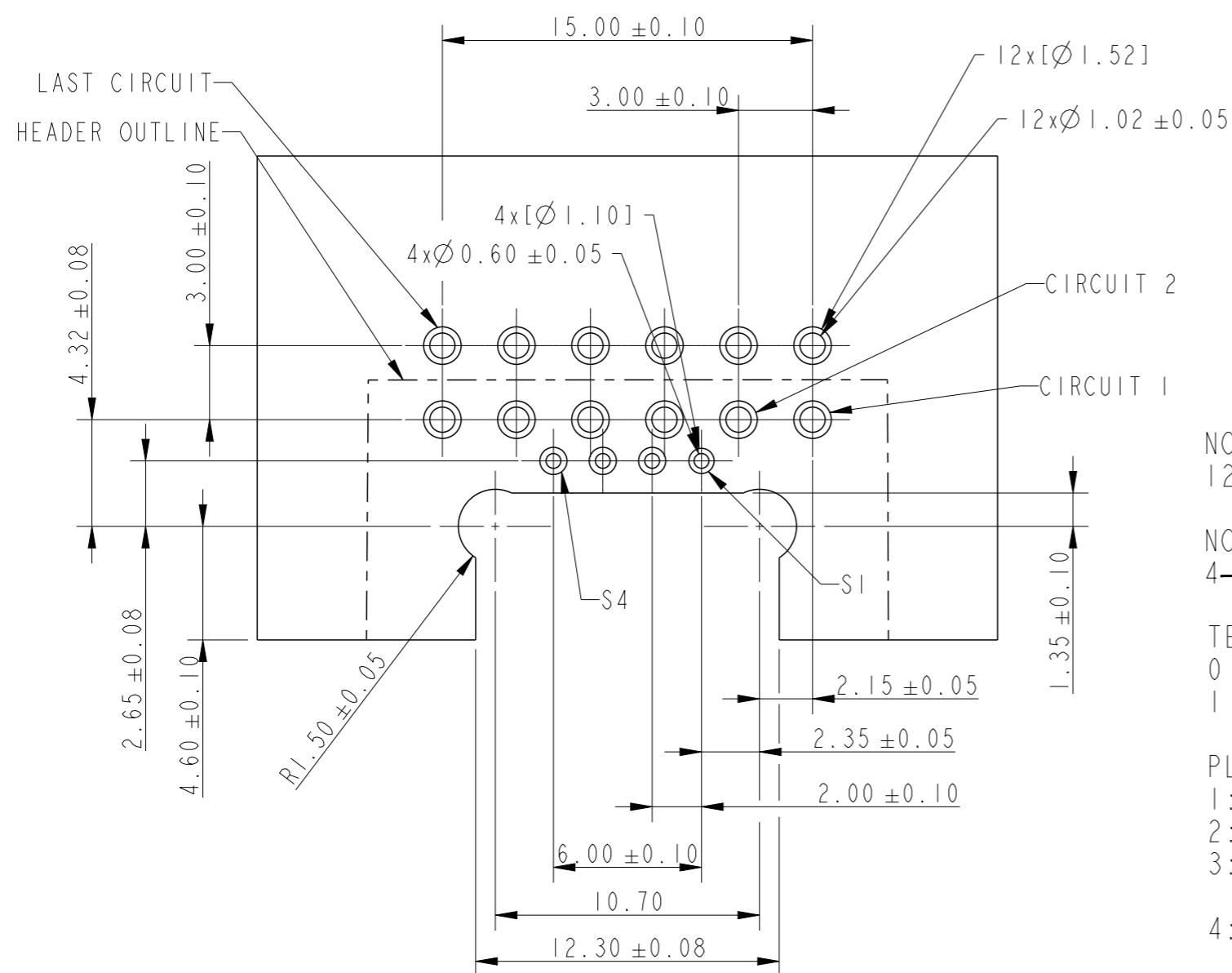


Amphenol  
FCi

© 2020 Amphenol Corporation

spec ref	dr	Akhil Rajan	2021/06/28	projection	MM	size	A3	scale	4:1	
tolerance std	eng	Paul Mithun	2021/07/10			ecn no	ELX-I-41484-1	rel level	Released	
ISO 406 ISO 1101	chr	-	-							product family
surface	appr	Kuriakose, San	2021/07/13	<b>Amphenol FCi</b>		cat. no.	-	Product - Customer Drw	sheet 1 of 2	
ISO 1302	linear	0.X	±0.25	title	HYBRID R/A HEADER		dwg no	10160920	rev	C
		0.XX	±0.20	Minitek PWR CEM-5 12VHPWR						
	angular	0.XXX	±							
		0°	±2°							

Creo File:ELX-WC-A3C.REV F.2020-12-21



RECOMMENDED PCB LAYOUT, PCB THICKNESS: 1.57MM  
UNSPECIFIED TOLERANCE ±0.05MM

1. MATERIAL:  
HOUSING: HIGH TEMP. THERMOPLASTIC, LCP  
UL9V-0, COLOUR: BLACK, GLOW WIRE COMPATIBLE  
CONTACT: COPPER ALLOY.
2. CONTACT FINISH: 50µ" MIN NICKEL UNDERPLATED.  
OPTIONAL PLATING ON CONTACT AREA.  
PLATING: SEE PART NO LOGIC
3. MATE WITH AICC RECEPTACLE: 10161719
4. PRODUCT SPECIFICATION: GS-12-1706
5. PACKAGE SPECIFICATION: GS-14-2802
6. APPLICATION SPECIFICATION: GS-20-0704
7. YET TO BE TOOLED UP.

8. PART NUMBER LOGIC

10160920-XX X X X X X LF

NO. OF POWER PINS LOADED \_\_\_\_\_  
12 → 12 PINS

NO. OF SIGNAL PINS LOADED \_\_\_\_\_  
4 → 4 PINS

TERMINATION: \_\_\_\_\_  
0 : 3.18MM  
1 : 2.20MM (See note-7)

PLATING OPTION \_\_\_\_\_  
1: 100µ" MATTE TIN OVERALL  
2: GOLD FLASH OVERALL  
3: 15µ" GOLD ON CONTACT AREA AND  
MATTE TIN AT TERMINAL AREA  
4: 30µ" GOLD ON CONTACT AREA AND  
MATTE TIN AT TERMINAL AREA

PACKING OPTION: \_\_\_\_\_  
0 : TRAY  
1 : TAPE AND REEL (See note-7)

LOADING OPTION: \_\_\_\_\_  
0: STANDARD

spec ref		dr	Akhil Rajan	2021/06/28	projection	MM	size	A3	scale	4:1
tolerance std		eng	Paul Mithun	2021/07/10			ecn no		ELX-I-41484-1	
ISO 406 ISO 1101		chr	-	-			rel level		Released	
surface		appr	Kuriakose, San	2021/07/13	product family		Minitek Power		rev	
ISO 1302	linear	0.X		±0.25		part no		10160920		
		0.XX		±0.20		cat. no.		-		
angular		0°		±2°		Product - Customer Drw		sheet 2 of 2		