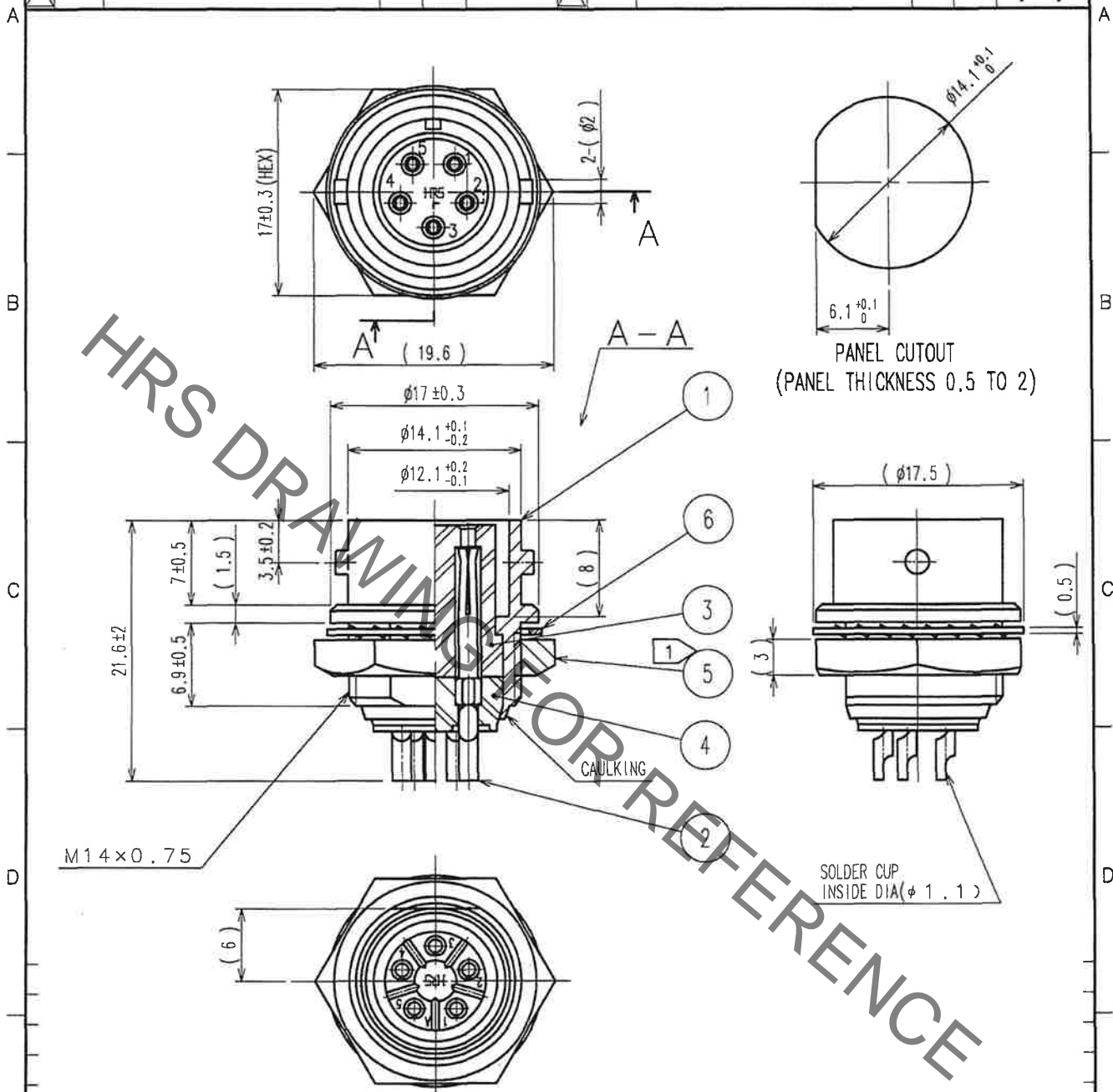


Nov.1.2021 Copyright 2021 HIROSE ELECTRIC CO., LTD. All Rights Reserved.  
In case of consideration for using Automotive equipment / device which demand high reliability, kindly contact our sales window correspondents.

1		2			3			4		
COUNT	DESCRIPTION OF REVISIONS	BY	CHKD	DATE	COUNT	DESCRIPTION OF REVISIONS	BY	CHKD	DATE	
△					△					
△					△					
△					△					



NOTE: ① THE RECOMMENDED CLAMP TORQUE OF REE .NO⑤: 2N · m

3	DIALYL PHTHALATE	(BLACK) UL94V-0	6	PHOSPHOR BRONZE	NICKEL PLATING
2	COPPER ALLOY	SILVER PLATING 5μ m min.	5	BRASS	NICKEL PLATING
1	ZINC ALLOY	MATTE FINISH NICKEL PLATING	4	DIALYL PHTHALATE	(BLACK) UL94V-0
NO.	MATERIAL	FINISH, REMARKS	NO.	MATERIAL	FINISH, REMARKS

CODE NO. (OLD)	DRAWN	DESIGNED	CHECKED	APPROVED	RELEASED
CL	T. Suzuki	T. Suzuki	H. Kobayashi	T. Komatsu	
	'21.06.03	'21.06.03	'21.06.07	'21.06.09	

 SCALE 2 : 1	DRAWING NO. EDC4-006765-76-00	PART NO. RM12BRD-5S(76)
UNITS mm	 HIROSE ELECTRIC CO., LTD.	CODE NO. CL109-0612-2-76