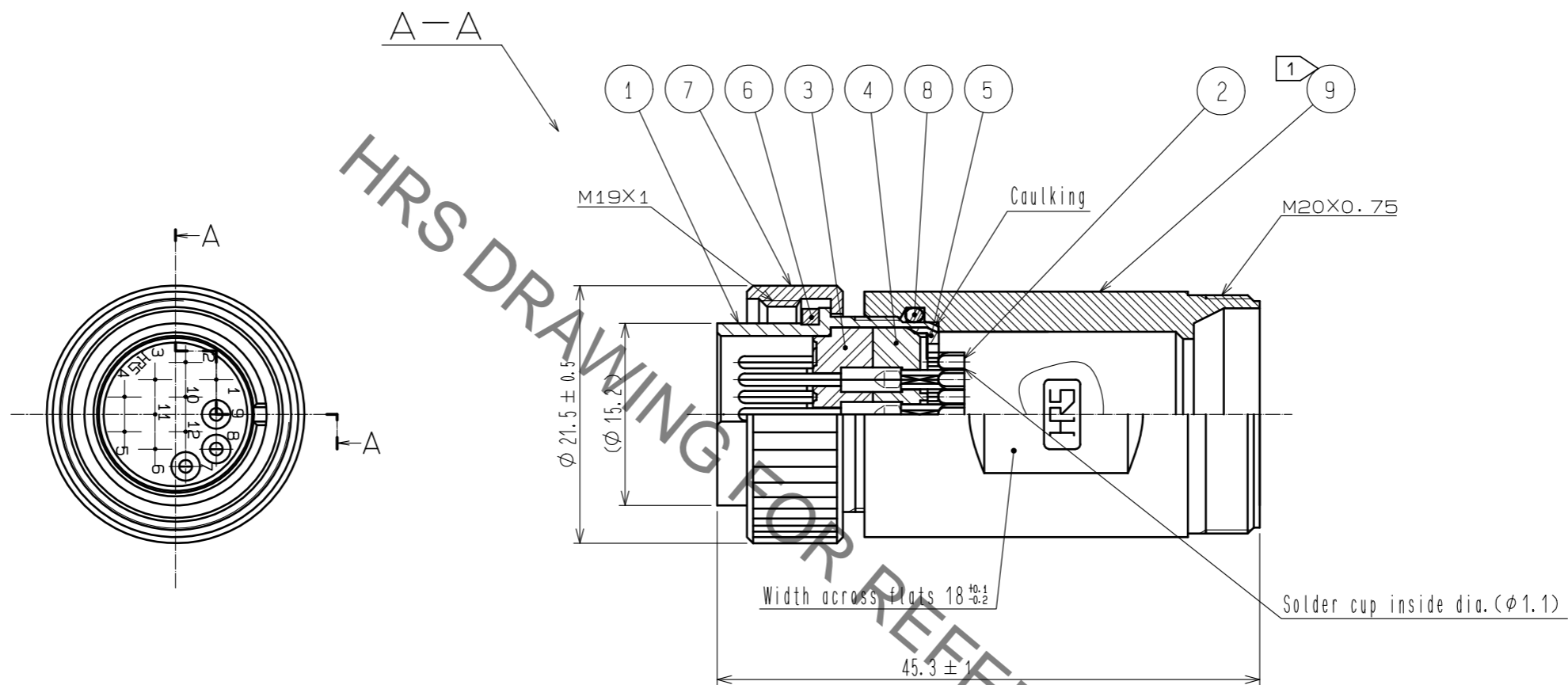


Nov.1.2021 Copyright 2021 HIROSE ELECTRIC CO., LTD. All Rights Reserved.
In case of consideration for using Automotive equipment / device which demand high reliability, kindly contact our sales window correspondents.



- Notes
- ① The recommended tightening torque of REF.NO. ⑨ : 3 N·m.
LOCTITE 243, HENKEL JAPAN or equivalent is recommended to prevent REF.NO. ⑨ from loosening.
 - ② This product to be used with cable clamp, JR16WCC-*(72).
* designate diameter of applicable cable.
 - ③ Rotation example of REF.NO. ① and ⑨ are shown.
 - ④ The cable pull and twisting strength and other characteristics may differ,
depending on the cable structure, please confirm before the use.

5	Polyacetal	(White)			
4	Diallyl phthalate	(Black) UL94V-0	9	Zinc alloy	Chrome plating
3	Diallyl phthalate	(Black) UL94V-0	8	Silicone rubber	(Black)
2	Copper alloy	Silver plating 2μm min.	7	Brass	Chrome plating
1	Zinc alloy	Chrome plating	6	Silicone rubber	(Red)
NO.	MATERIAL	FINISH . REMARKS	NO.	MATERIAL	FINISH . REMARKS
UNITS mm		SCALE 2 : 1		DESCRIPTION OF REVISIONS	
APPROVED : TP. KOMATSU 20210528			DESIGNED	DATE	
CHECKED : HY. KOBAYASHI 20210528			CHECKED	DATE	
DESIGNED : TY. SUZUKI 20210528			DESIGNED	DATE	
DRAWN : KR. SUZUKI 20210519			DRAWN	DATE	
HRS HIROSE ELECTRIC CO., LTD.			DRAWING NO.	EDC-111160-76-00	
			PART NO.	RM15WTPZA-12P(76)	
			CODE NO.	CL0109-1738-6-76	
			1/1		