

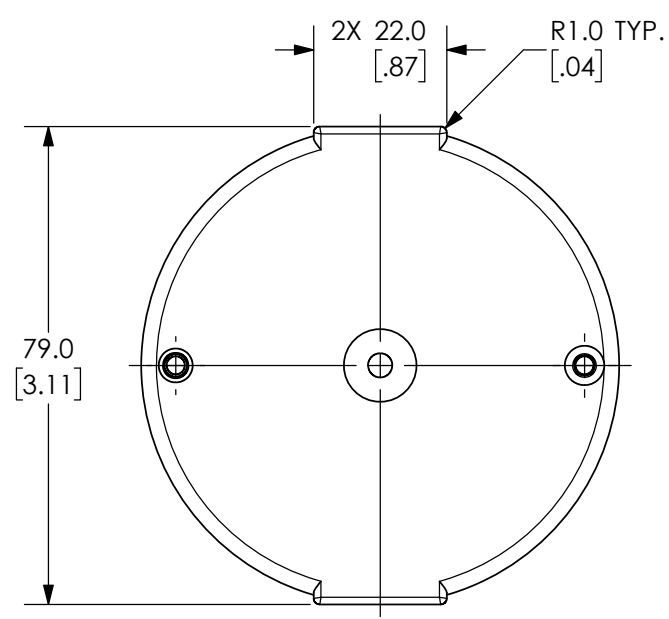
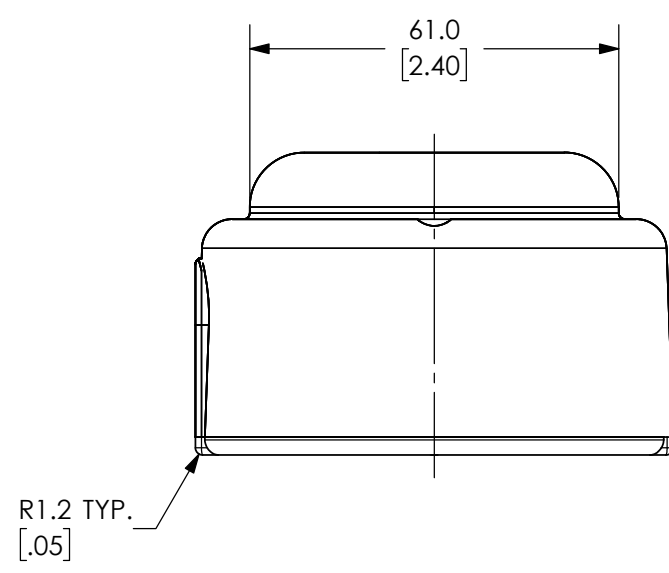
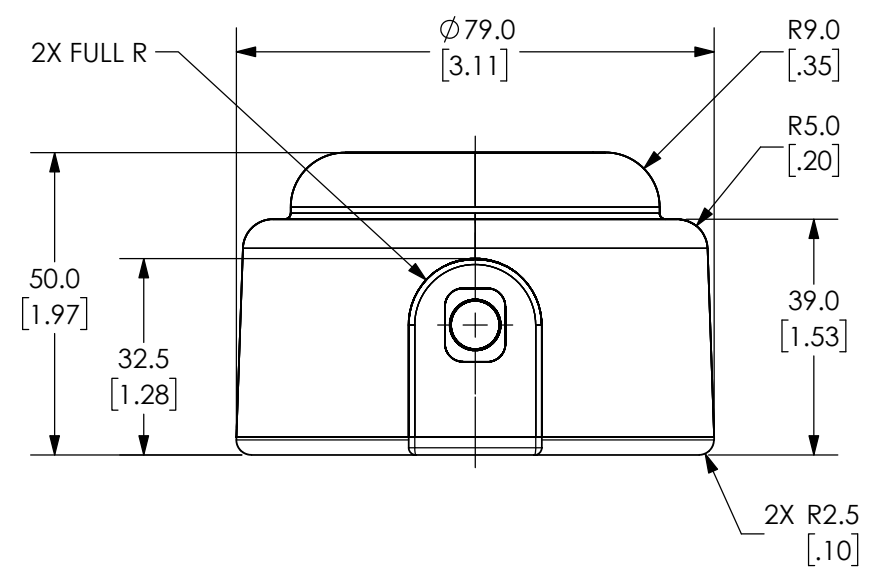
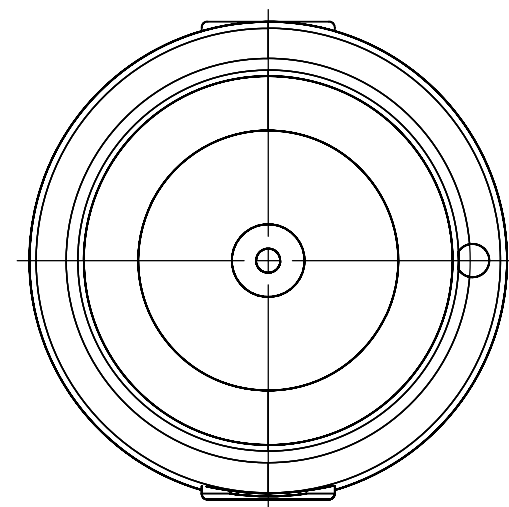
4

3

2

1

| ZONE | REV. | REVISION DESCRIPTION           | ECN NO.    | DATE        |
|------|------|--------------------------------|------------|-------------|
|      | A    | INITIAL RELEASE FOR PRODUCTION | ECO-432691 | 19-MAY-2021 |



DIMENSIONS ARE IN MILLIMETERS [INCHES]

FOR REFERENCE ONLY, CHECK LATEST REVISION BEFORE USE. PARTS MADE TO THIS PRINT MUST CONFORM TO E9898 REV. E.

|                         |  |
|-------------------------|--|
| DRAWN<br>T. BREITENBACH | SENSATA TECHNOLOGIES PROPRIETARY AND CONFIDENTIAL. NEITHER THIS PRINT NOR THE INFORMATION CONTAINED HEREON IS TO BE USED AGAINST THE INTERESTS OF SENSATA TECHNOLOGIES OR AGAINST THE INTERESTS OF ANY OF ITS AFFILIATED COMPANIES OR WHOLLY OWNED SUBSIDIARIES. |
| DATE 19-MAY-2021        |  |
| ENGINEER<br>MARTIN SIME | INTERPRET DIMENSIONING AND TOLERANCING PER ASME Y14.5-2009. UNLESS OTHERWISE SPECIFIED DIMENSIONS ARE IN MILLIMETERS. TOLERANCES   |
| DATE 19-MAY-2021        |  |
| APPROVED                | DECIMALS                      ANGLES<br>+0.5/-0.3                      ±0.2°   |
| DATE                    | DO NOT SCALE DRAWING      THIRD ANGLE PROJECTION   |
| APPROVED                |  |
| DATE                    |  |



529 PLEASANT STREET  
P.O. BOX 2964  
ATTLEBORO, MA 02703

|  |                     |              |
|--|---------------------|--------------|
| TITLE<br>INDUSTRIAL WIRELESS<br>TEMP TRANSMITTER<br>ENVELOPE DRAWING |                     |              |
| SIZE<br>A3   | DWG NO.<br>IWTT-ENV | REV.<br>A    |
| SCALE<br>NTS   | SOLIDWORKS          | SHEET 1 OF 1 |

DEVICE: PROJECT: 1

4

3

2

1

D

D

C

C

B

B

A

A