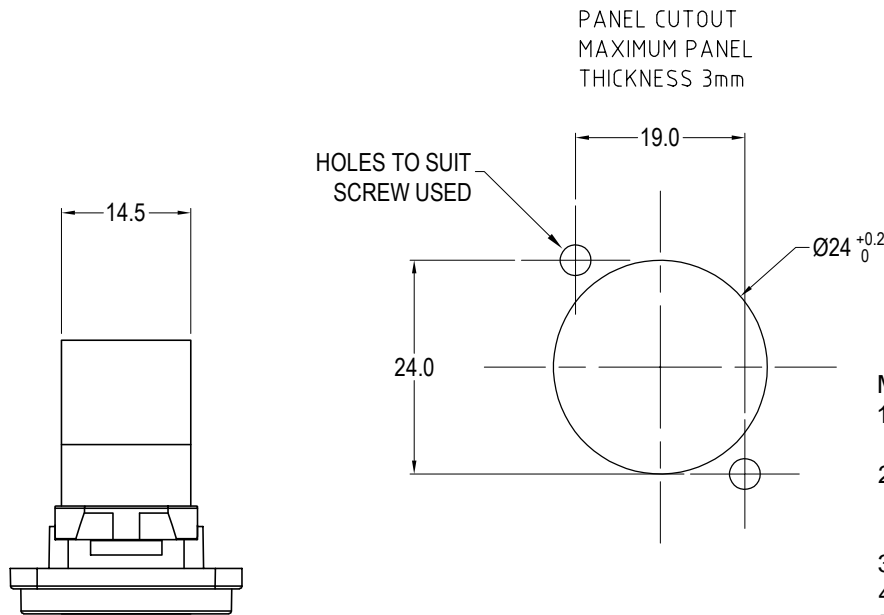


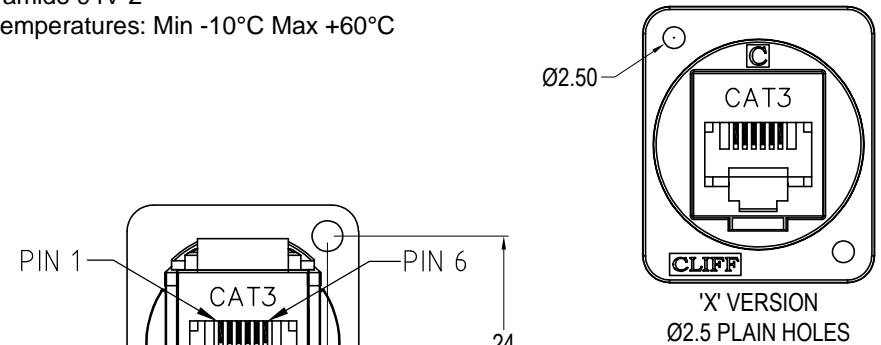
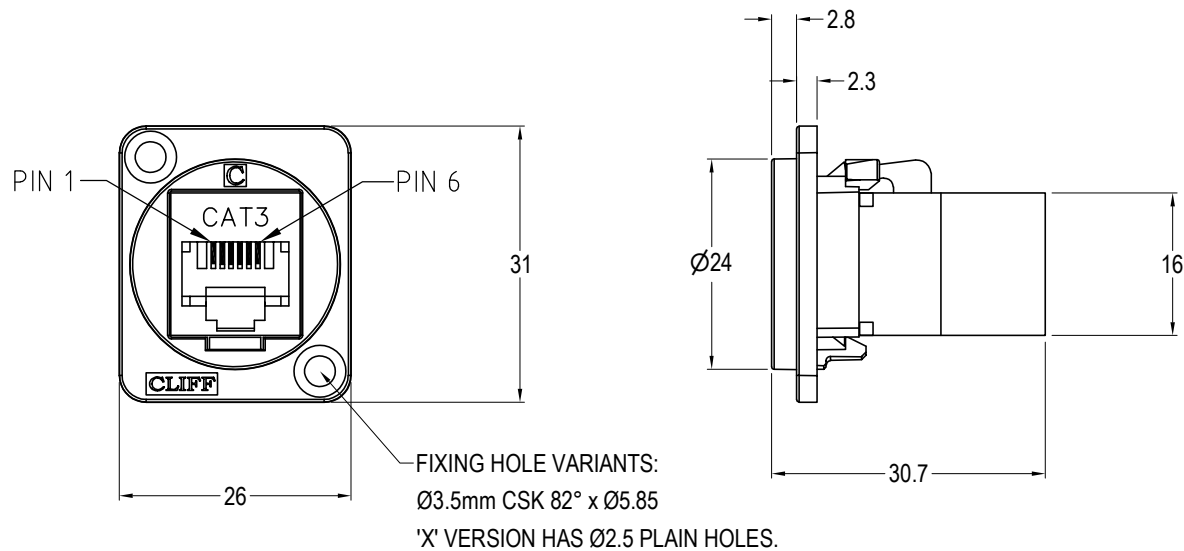
ISS.	AMEND	DATE
1	ISSUED	13/03/19
2	ADD MIN MAX TEMP	30/06/20



**Material:**

1. RJ12 In-Line Coupler:  
PC/ABS, UL 94V-0, Black colour
2. RJ12 In-Line Coupler Contact:  
Phosphor Bronze, 3-50 micro inches gold plating over nickel plate.
3. PCB: FR4, UL 94V-0
4. Frame: Polyamide 94V-2
5. Operating Temperatures: Min -10°C Max +60°C

VARIANTS	
PART NO.	HOLE DETAILS
CP30224	HOLE Ø3.50 X CSK 82° X Ø5.85
CP30224X	PLAIN HOLE Ø2.50



**RoHS**  
COMPLIANT

**TOLERANCE**  
NO DEC. PLACE ±  
1 DEC. PLACE ±  
2 DEC. PLACE ±  
HOLE Ø ±  
ANGLES ±  
UNLESS OTHERWISE STATED

DO NOT SCALE

**Cliff Electronic Components Ltd.**

76 Holmehorpe Avenue, Holmehorpe Industrial Estate,  
Redhill, Surrey, RH1 2PF, England, UK  
Tel: 01737-771375 Fax: 01737-766012 Website: www.cliffuk.co.uk

DIMENSIONS IN MILLIMETERS UNLESS OTHERWISE STATED. WORK TO DIMENSIONS. REMOVE ALL BURRS. IF IN DOUBT ASK.

3rd ANGLE PROJECTION:

MATERIAL: See Notes

FINISH: See Notes

DRAWN: T.J.O.

APPROVED: D.P.J.

TITLE: FEED THROUGH CAT3 RJ12 6P6C

DRWG. No. **CP30224**

FORM: A4DRWGH