



Since 1959

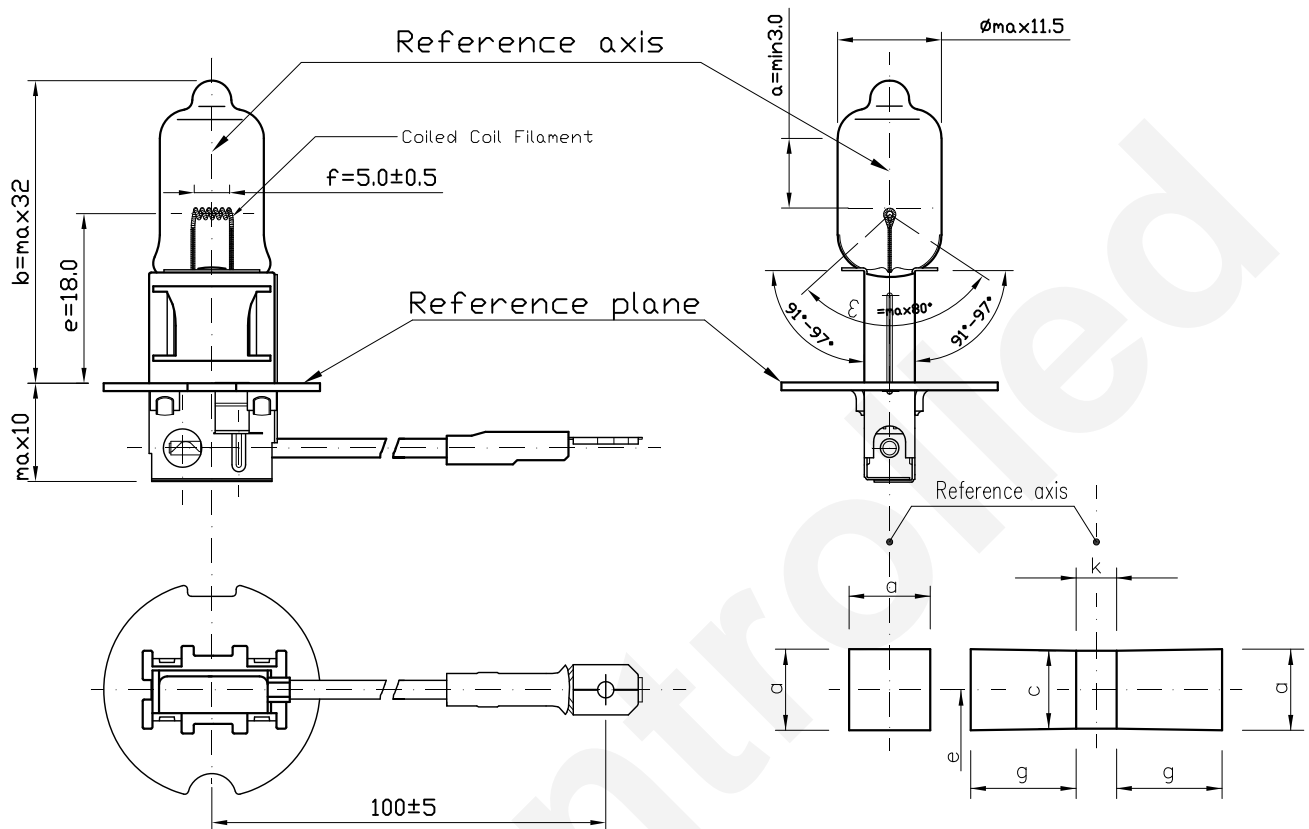
Product Information Sheet

H3 24V 70W

H3 70W/24V

2014. 03. 05 NEW

2013. 04. 10 OLD



d	1.7 nom
e	18
f	5.0 ±0.5

a	c	k	g
1.8d	1.6d	1	2.75

Halogen bulb

H3 24V 70W

Cap: ¹⁾ PK22s

Type: STD

ECE R37 (E1) 2XT

FMVSS108 None

Bulb: UV-cut Quartz glass

Made in china / JDH

1) according to IEC 61-1 sheet 7004-47

Technical data	R37
Test voltage	28.0V
Power	84W max.
Luminous flux	1750lm ±15%
Lumen maintenance	90 % min
Rated life:	at 28.0V
-characteristic Tc	450 h min
-B3	150 h min
Maximum operating temperature:	1:bulb 800°C max 2:pinch 400°C max