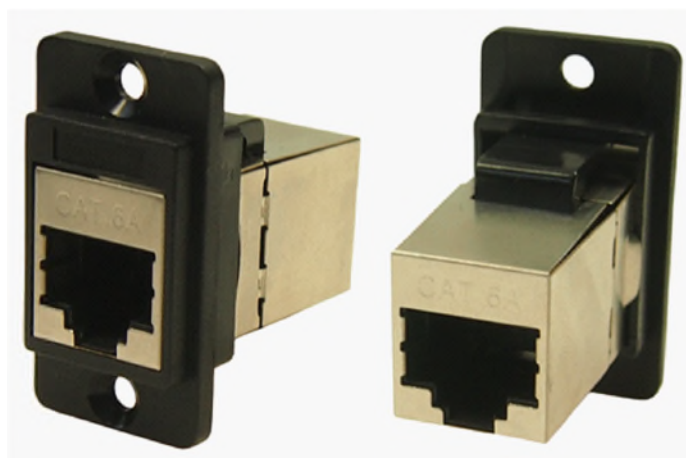
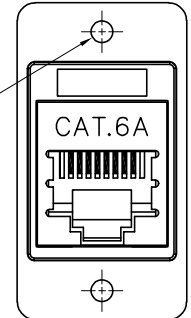
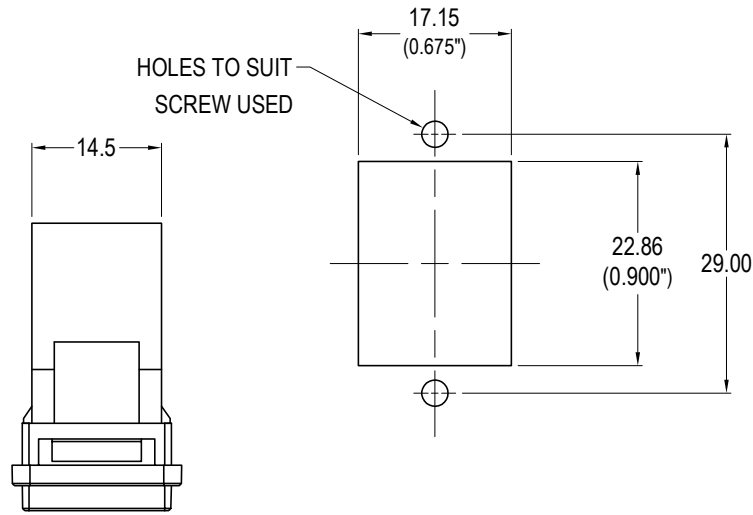


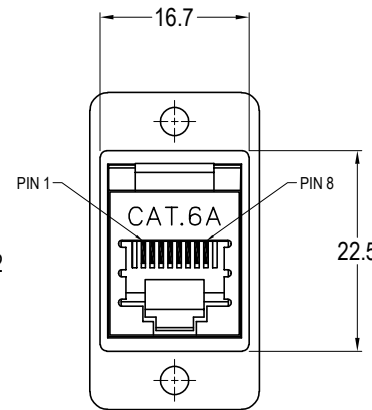
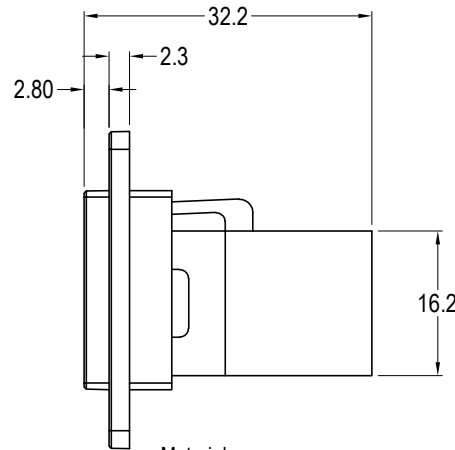
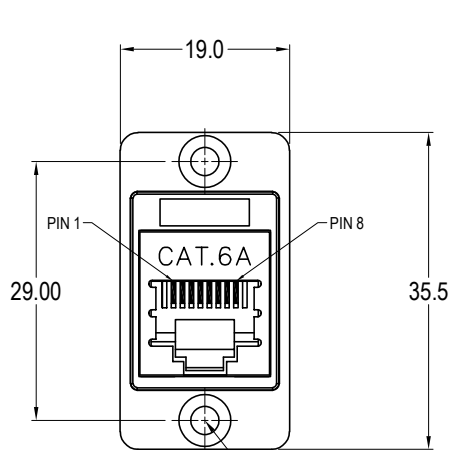
ISS.	AMEND	DATE
1	ISSUED	01/10/20



DUAL MOUNT  
CAN BE FRONT OR REAR MOUNTED



PLAIN HOLE VARIANTS  
'X' VERSION Ø2.5  
'X1' VERSION Ø3.2



VARIANTS	
PART NO.	HOLE DETAILS
CP30725S	HOLE Ø3.2 x CSK 90° x Ø5.85
CP30725SX	PLAIN HOLE Ø2.5
CP30725SX1	PLAIN HOLE Ø3.2

3x HOLE VARIANTS  
Ø3.2mm CSK 90° x Ø5.85  
'X' PLAIN Ø2.5 HOLES  
'X1' PLAIN Ø3.2 HOLES

Material:

1. RJ45 In-Line Coupler: PC/ABS, UL 94V-0
2. RJ45 In-Line Coupler Contact: Phosphor Bronze, 3-50 micro inches gold plating over nickel plate.
3. PCB: FR4, UL 94V-0
4. Frame: Polyamide UL 94V-2

Performance:

1. T568A & T568B wiring.
2. Meet ISO/IEC 11801 and EN50173
3. Meet ANSI/TIA/EIA 568B.2
4. Operating Temperatures: Min -10°C Max +70°C

**RoHS**  
COMPLIANT

TOLERANCE  
NO DEC. PLACE ±  
1 DEC. PLACE ±  
2 DEC. PLACE ±  
HOLE Ø ±  
ANGLES ±  
UNLESS OTHERWISE STATED

**Cliff Electronic Components Ltd.**

76 Holmehorpe Avenue, Holmehorpe Industrial Estate,  
Redhill, Surrey, RH1 2PF, England, UK  
Tel: 01737-771375 Fax: 01737-766012 Website: www.cliffuk.co.uk

DIMENSIONS IN MILLIMETERS UNLESS OTHERWISE STATED. WORK TO DIMENSIONS. REMOVE ALL BURRS. IF IN DOUBT ASK.

3rd ANGLE PROJECTION:

DO NOT SCALE

MATERIAL: See Notes

FINISH: See Notes

TITLE: DUAL MOUNT SLIM FT CAT6A RJ45 SHIELDED

THE CONTENTS OF THIS DOCUMENT MUST NOT BE COPIED OR DISCLOSED TO A 3rd PARTY WITHOUT WRITTEN PERMISSION OF CLIFF UK. © 2020

DRAWN: T.J.O.

APPROVED: D.P.J.

DRWG. No. CP30725S

FORM: A4DRWGH