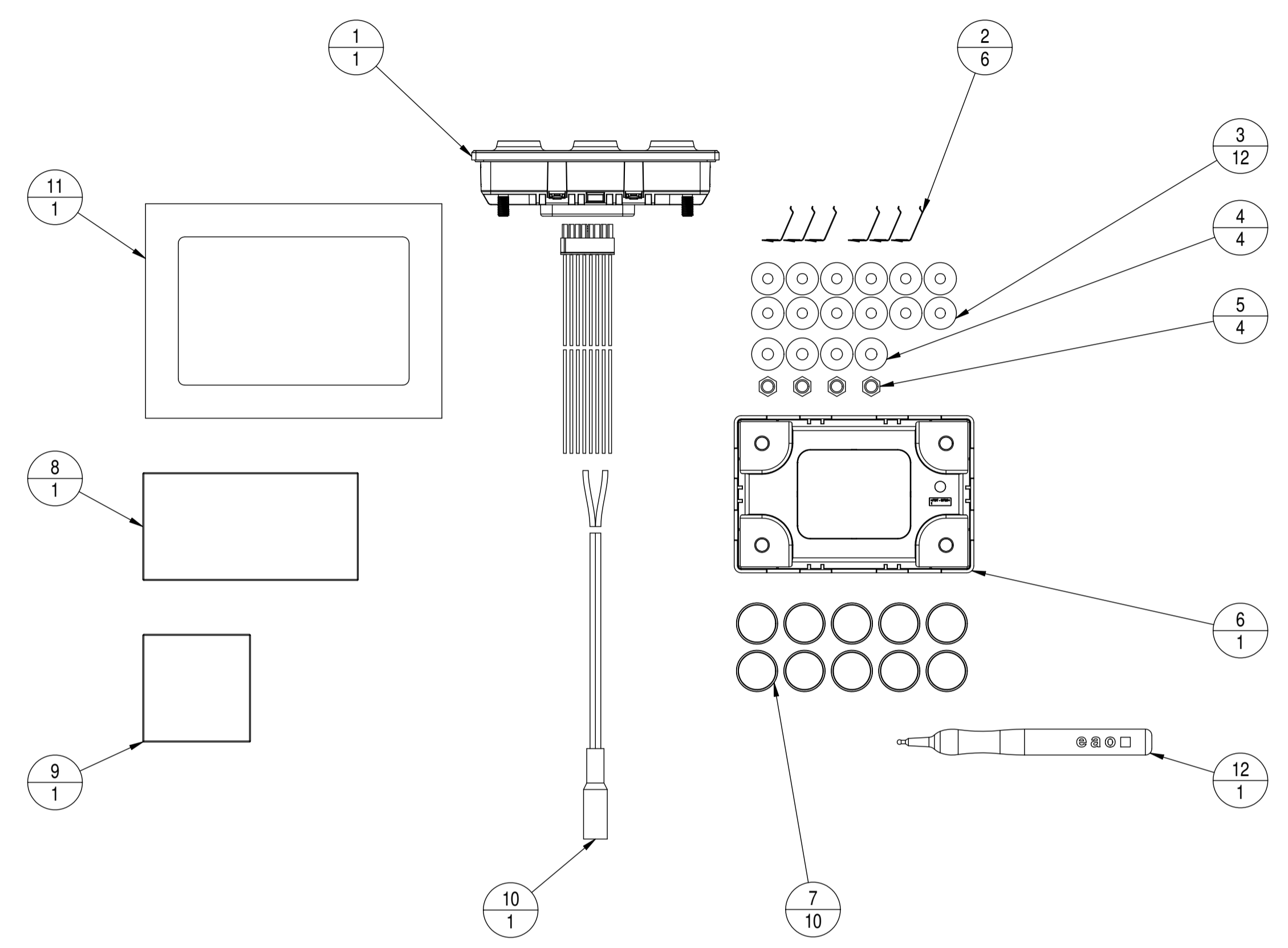


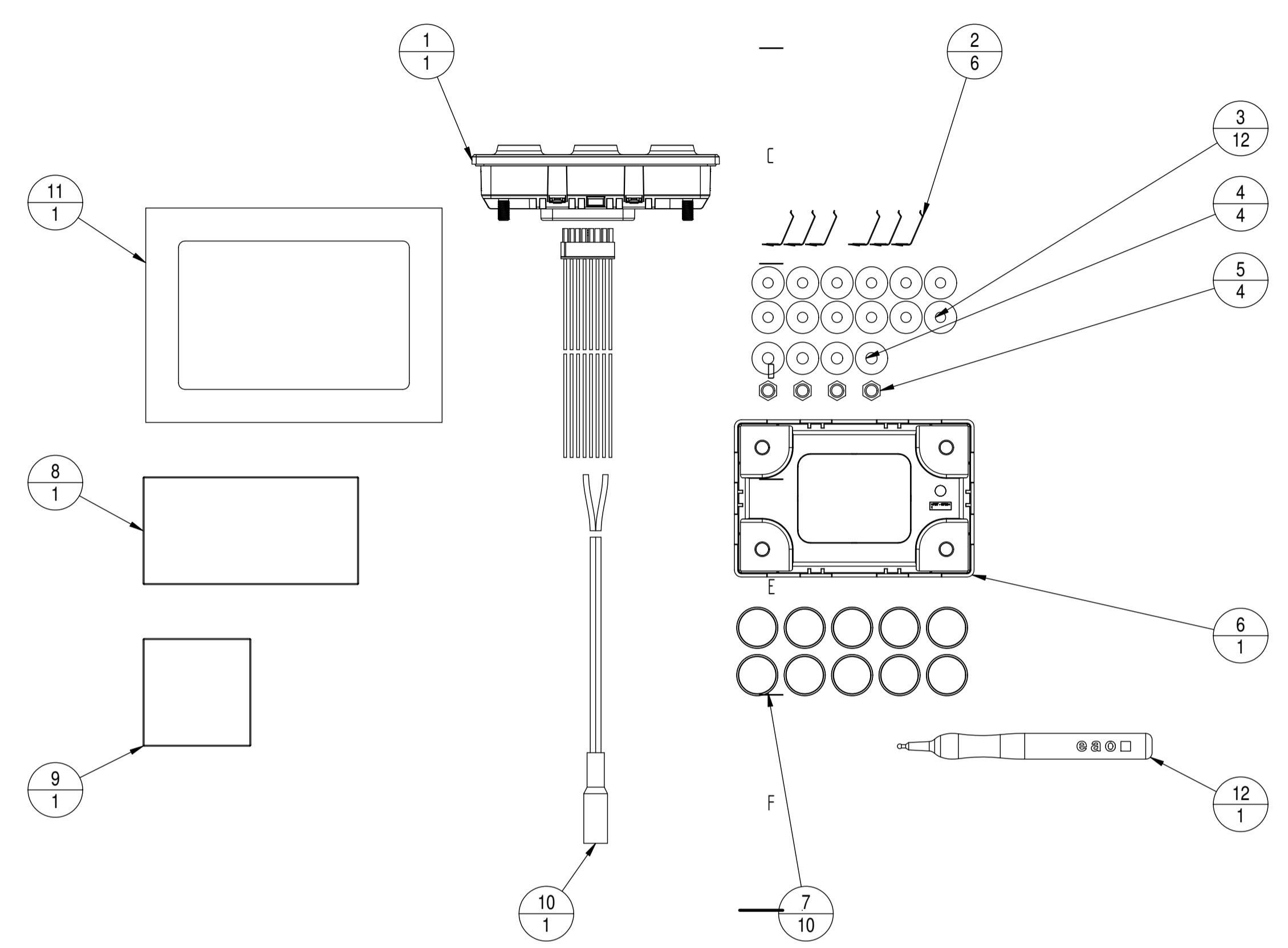
revision	zone	date	initial edition	description	RP - no.
01	-	10.01.2022	initial edition		1026
-	-	-	-	-	-
-	-	-	-	-	-
-	-	-	-	-	-
-	-	-	-	-	-

scope of delivery hardwired keypad 12 V

Keypad Design-in kit 12V - 09-0A72.3132



Keypad Design-in kit 24V - 09-0A72.3142



Keypad Design-in kit 12V - 09-0A72.3132			
pos.	description	qty.	comment
1	CAN IP67 keypad; hardwired; Screw-in; 12V; LED red	1	
2	retaining clip for 2 mm panel	6	
3	rubber washer 4,8x15x1	12	quantity depending on panel thickness: 1 mm: 0 per stud 2 mm: 1 per stud 3 mm: 2 per stud 4 mm: 3 per stud
4	washer DIN9021 stainless A2	4	
5	nut	4	
6	coupler	1	
7	symbol insert	10	graphical symbols: 1x 09-0S12.5005 acc. to IEC 60417 1x 09-0S12.5006 acc. to IEC 60417 1x 09-0S12.1388 acc. to DIN ISO 7000 1x 09-0S12.0244 acc. to DIN ISO 7000 1x 09-0S12.2810 acc. to DIN ISO 7000 1x 09-0S12.2811 acc. to DIN ISO 7000 1x 09-0S12.1387 acc. to DIN ISO 7000 1x 09-0S12.0085 acc. to DIN ISO 7000 2x 09-0S12.0251 acc. to DIN ISO 7000
8	power supply	1	
9	plug adapter	1	
10	adapter cable keypad	1	
11	mounting frame aluminium 2 mm	1	
12	insert tool	1	09-0A00.0001

Keypad Design-in kit 24V - 09-0A72.3142			
pos.	description	qty.	comment
1	CAN IP67 keypad; hardwired; Screw-in; 24V; LED red	1	
2	retaining clip for 2 mm panel	6	
3	rubber washer 4,8x15x1	12	quantity depending on panel thickness: 1 mm: 0 per stud 2 mm: 1 per stud 3 mm: 2 per stud 4 mm: 3 per stud
4	washer DIN9021 stainless A2	4	
5	nut	4	
6	coupler	1	
7	symbol insert	10	graphical symbols: 1x 09-0S12.5005 acc. to IEC 60417 1x 09-0S12.5006 acc. to IEC 60417 1x 09-0S12.1388 acc. to DIN ISO 7000 1x 09-0S12.0244 acc. to DIN ISO 7000 1x 09-0S12.2810 acc. to DIN ISO 7000 1x 09-0S12.2811 acc. to DIN ISO 7000 1x 09-0S12.1387 acc. to DIN ISO 7000 1x 09-0S12.1387 acc. to DIN ISO 7000 1x 09-0S12.0085 acc. to DIN ISO 7000 2x 09-0S12.0251 acc. to DIN ISO 7000
8	power supply	1	
9	plug adapter	1	
10	adapter cable keypad	1	
11	mounting frame aluminium 2 mm	1	
12	insert tool	1	09-0A00.0001

description		S09 outdoor Design-In Kits		drawing no.	2002940001	revision	01
eao		scale	1:2	format	A1	weight	-
EAO Automotive GmbH & Co. KG Richard-Wagner-Straße 3 88069 Auerbach GERMANY		document type	product information	status		only for information	
1st angle projection		all dimensions are in millimeters		date	10.01.2022	name	EBJ
drawn		approved		date	17.01.2022	name	SCR
						sheet no.	4/9

© EAO - Automotive GmbH & Co. KG. Alle Rechte vorbehalten. Die Verantwortung für die Verwendung des Produktes liegt bei dem Anwender. EAO übernimmt keine Haftung für Schäden, die durch die Verwendung des Produktes entstehen. Die Verantwortung für die Verwendung des Produktes liegt bei dem Anwender. EAO übernimmt keine Haftung für Schäden, die durch die Verwendung des Produktes entstehen.