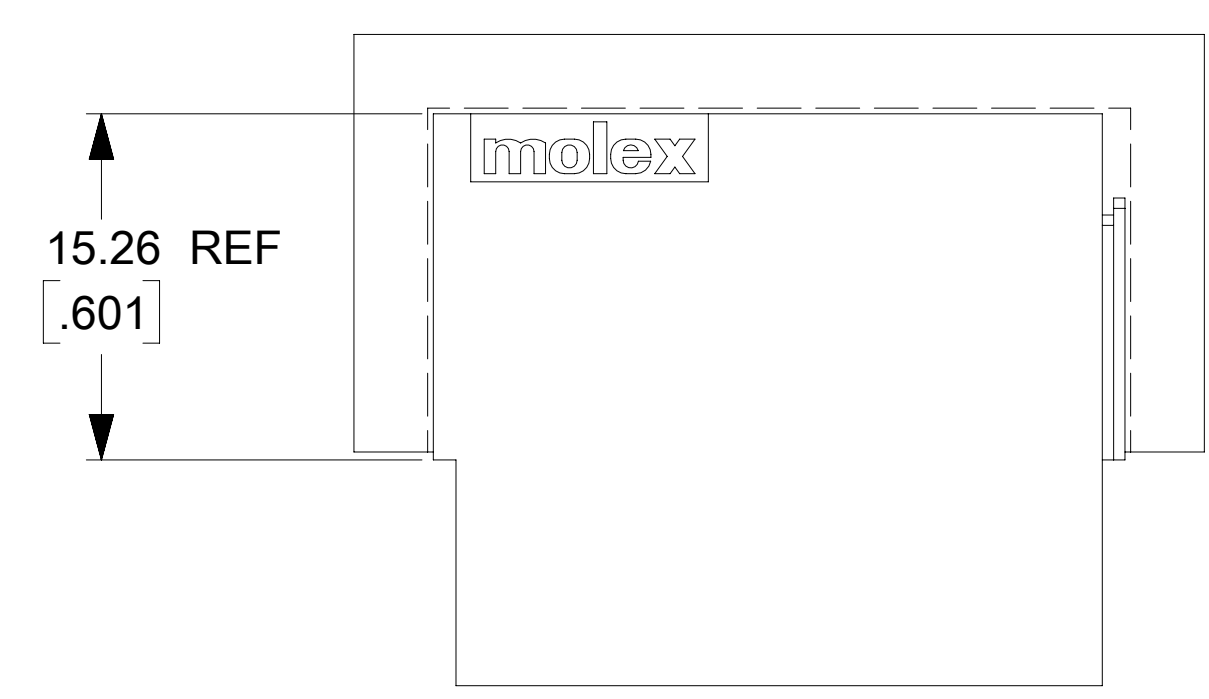
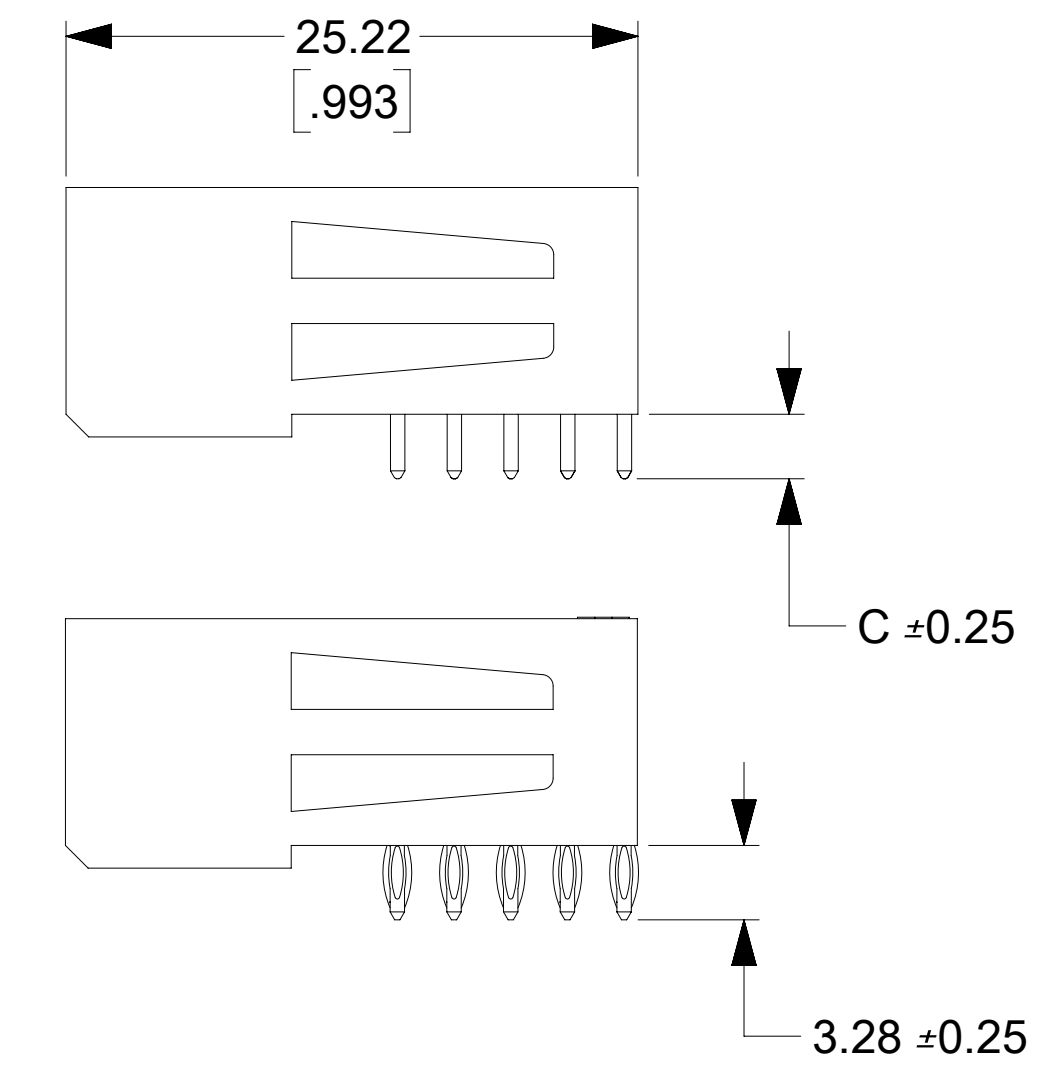
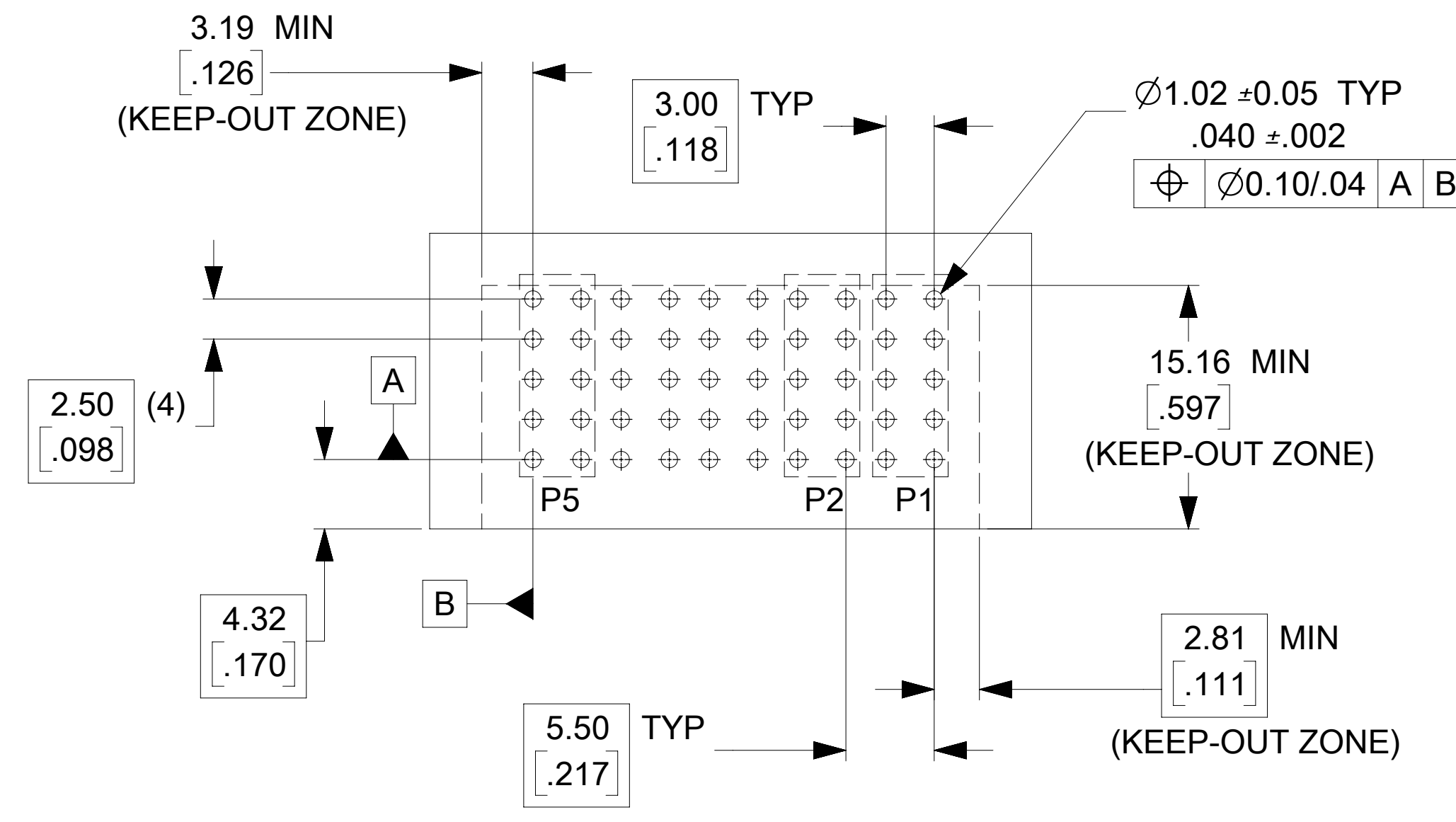


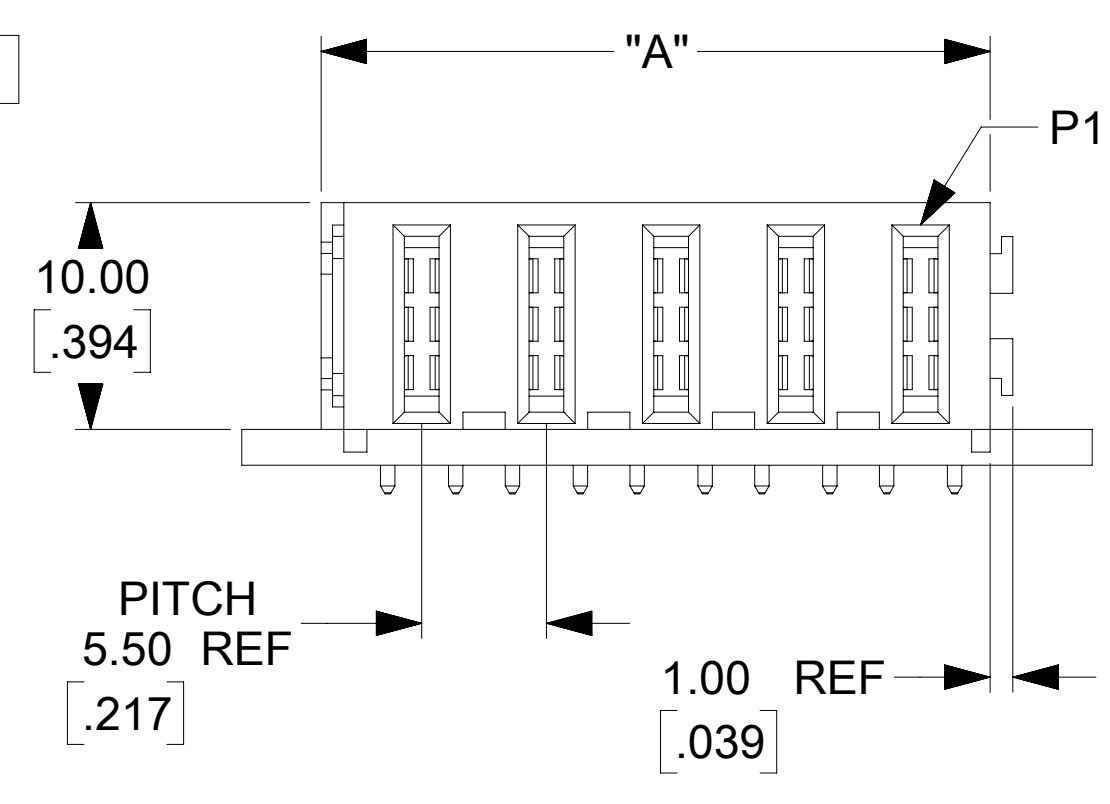
STANDARD SOLDER TAILS				LONG SOLDER TAILS			PRESS FIT TAILS		
# CKT	PART NUMBER	DIM "A" ±0.25/ ±.010	DIM "C" ±0.25/ ±.010	PART NUMBER	DIM "A" ±0.25/ ±.010	DIM "C" ±0.25/ ±.010	PART NUMBER	DIM "A" ±0.25/ ±.010	DIM "C" ±0.25/ ±.010
10	46436-9010	57.00/2.244	2.84/.112	46436-9110	57.00/2.244	3.61/.142	46436-9210	57.00/2.244	3.28/.129 (COMPLAINT TAILS DESIGNED FOR MIN. 1.58/ .062" THICK PCB)
9	46436-9009	51.50/2.028		46436-9109	51.50/2.028		46436-9209	51.50/2.028	
8	46436-9008	46.00/1.811		46436-9108	46.00/1.811		46436-9208	46.00/1.811	
7	46436-9007	40.50/1.594		46436-9107	40.50/1.594		46436-9207	40.50/1.594	
6	46436-9006	35.00/1.378		46436-9106	35.00/1.378		46436-9206	35.00/1.378	
5	46436-9005	29.50/1.161		46436-9105	29.50/1.161		46436-9205	29.50/1.161	
4	46436-9004	24.00/.945		46436-9104	24.00/.945		46436-9204	24.00/.945	
3	46436-9003	18.50/.728		46436-9103	18.50/.728		46436-9203	18.50/.728	
2	46436-9002	13.00/.512		46436-9102	13.00/.512		46436-9202	13.00/.512	
1	46436-9001	7.50/.295		46436-9101	7.50/.295		46436-9201	7.50/.295	



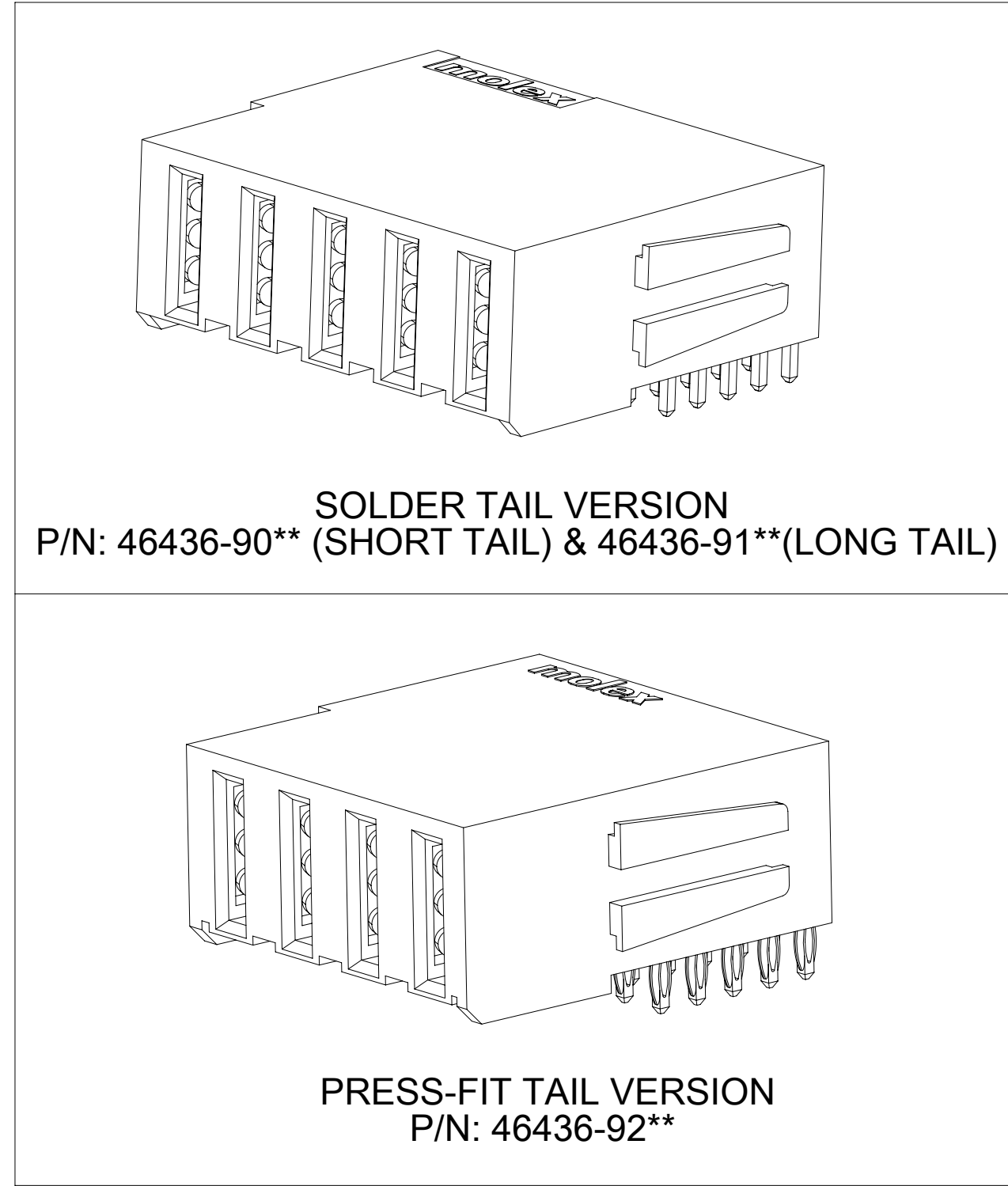
P/N: 46436-9005 SHOWN



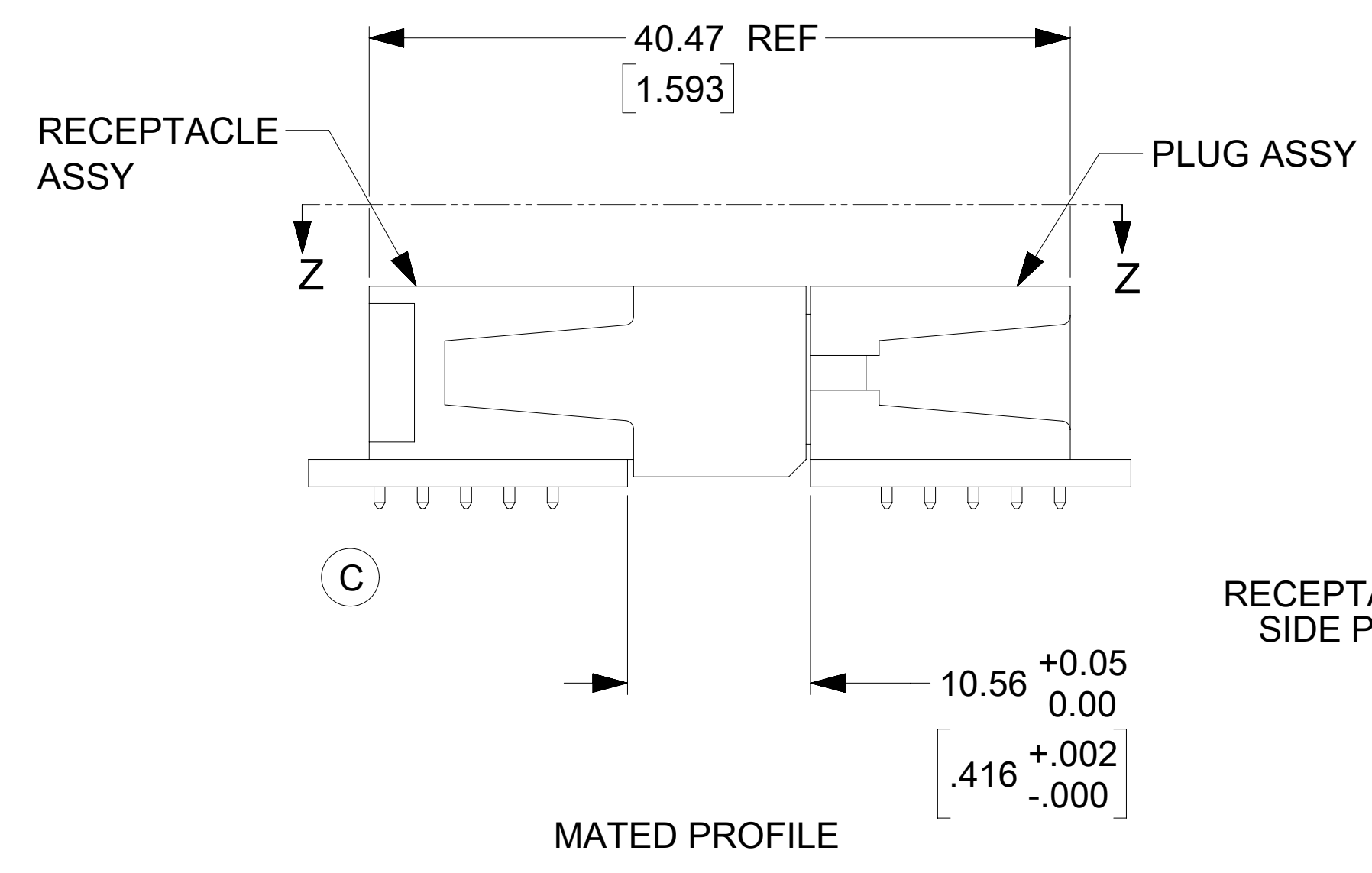
RECOMMENDED LAYOUT AND KEEP-OUT ZONE



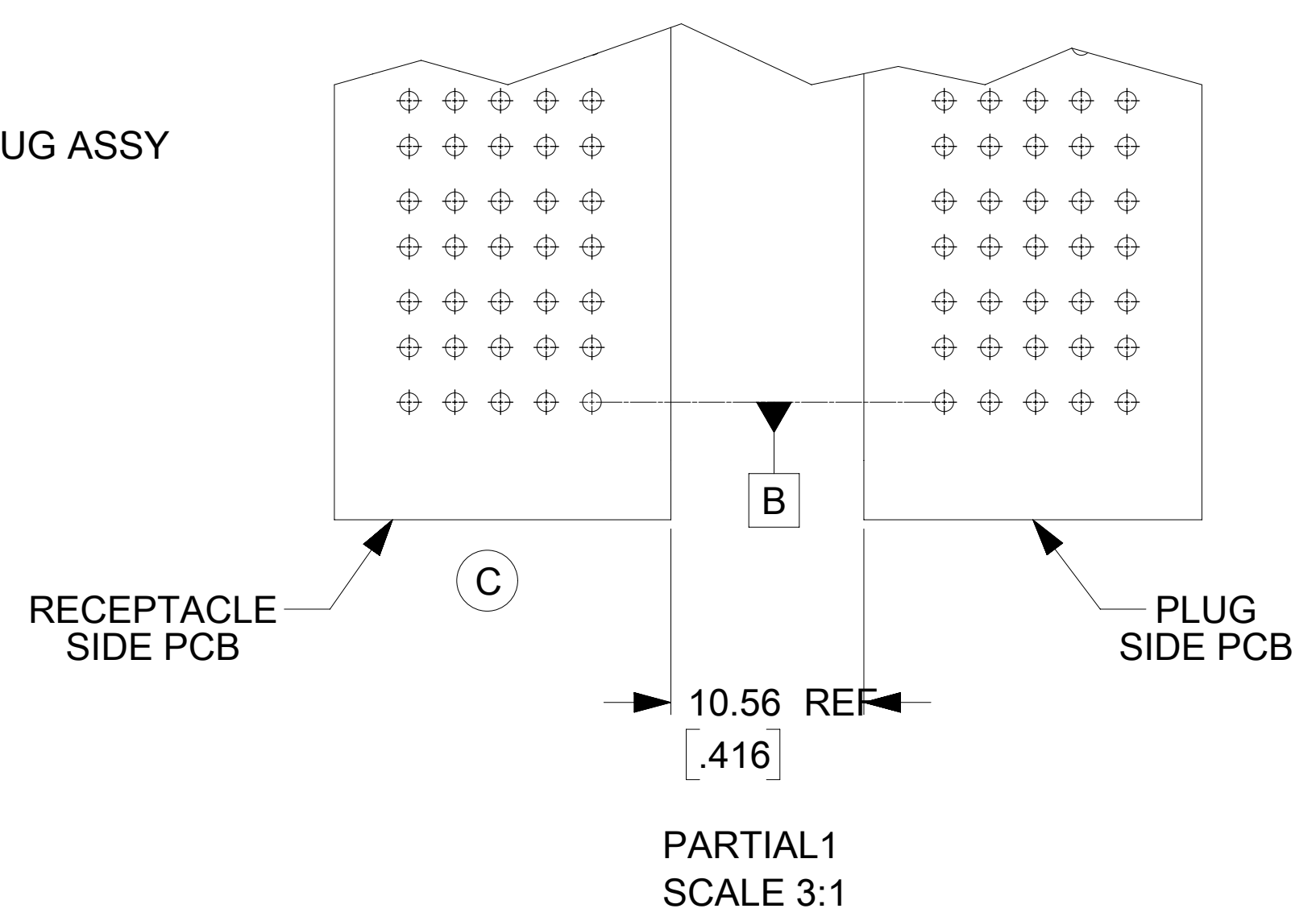
P/N: 46436-9005 SHOWN



- NOTES:
- MATERIAL:
 - HOUSINGS: LCP UL-94, V-0, COLOR: BLACK.
 - TERMINALS: COPPER ALLOY.
 - PLATING: 0.00127/.000050 NICKEL OVERALL WITH 0.00254/.000100 SELECTIVE MATTE TIN ON TAILS AND 0.000762/.000030 SELECTIVE GOLD ON CONTACT AREA.
 - PACKAGING: ASSEMBLIES TO BE TRAY PACKED PER PACKAGING SPEC: PK-46436-001
 - PRODUCT SPEC: PS-46436-100.
 - APPLICATION SPEC: AS-46436-100. (FOR COMPLAINT TAIL ONLY)
 - ASSEMBLY MATES TO MOLEX PLUG ASSEMBLY 46437- SERIES: CONTACT MOLEX FOR DETAILS.
 - TAIL TYPE: SOLDER TAIL / COMPLAINT TAIL



MATED PROFILE



PARTIAL1
SCALE 3:1

THIS DRAWING CONTAINS INFORMATION THAT IS PROPRIETARY TO MOLEX ELECTRONIC TECHNOLOGIES, LLC AND SHOULD NOT BE USED WITHOUT WRITTEN PERMISSION

DIMENSION UNITS mm	SCALE 3:1	CURRENT REV DESC: UPDATED ISOMETRIC VIEW DESCRIPTION	
GENERAL TOLERANCES (UNLESS SPECIFIED)		EC NO: 644269	
ANGULAR TOL	± 0.5°	DRWN: GJEEVANSURES	2020/08/28
4 PLACES	±	CHK'D: GJEEVANSURES	2020/08/28
3 PLACES	±	APPR: HTHYAGARAJ	2020/08/31
2 PLACES	± 0.25	INITIAL REVISION:	
1 PLACE	± 0.25	DRWN: BKOSTIC	2010/06/30
0 PLACES	±	APPR: APATEL	2010/07/15
DRAFT WHERE APPLICABLE MUST REMAIN WITHIN DIMENSIONS		THIRD ANGLE PROJECTION	DRAWING
			D-SIZE
		SERIES	46436
		MATERIAL NUMBER	CUSTOMER
			GENERAL MARKET

DC POWER RECEPTACLE MOD
TEN60, 5.5 PITCH R/A 1-10 CKT

PRODUCT CUSTOMER DRAWING

DOCUMENT NUMBER	DOC TYPE	DOC PART	REVISION
SD-46436-9000	PSD	001	C3

DOCUMENT STATUS	P1	RELEASE DATE	2020/08/31 12:48:51
-----------------	----	--------------	---------------------