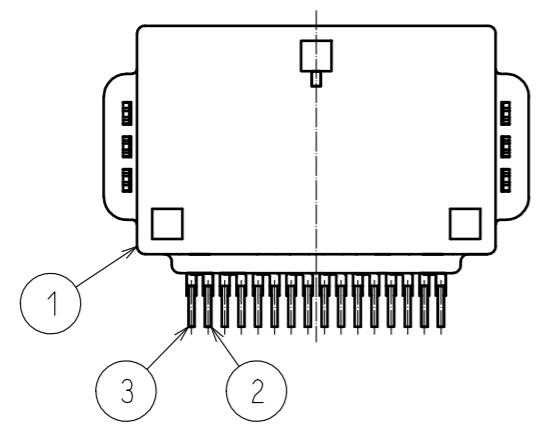
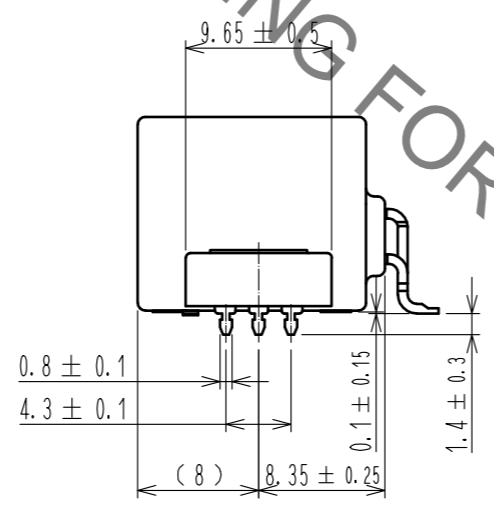
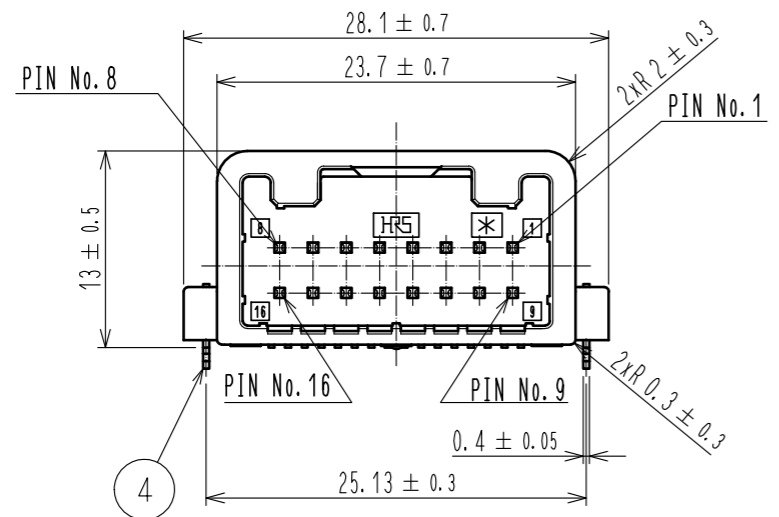
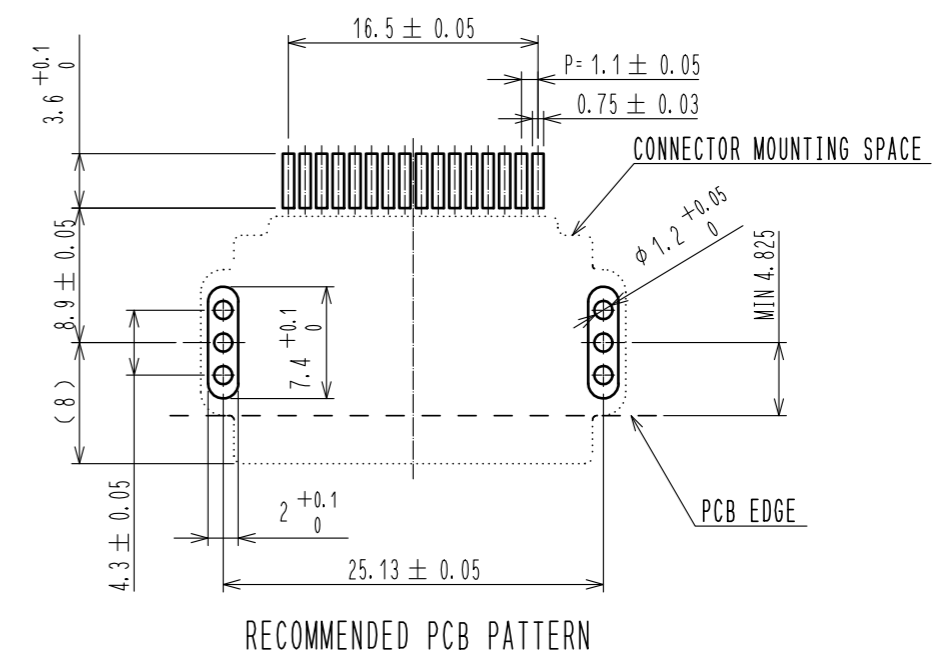
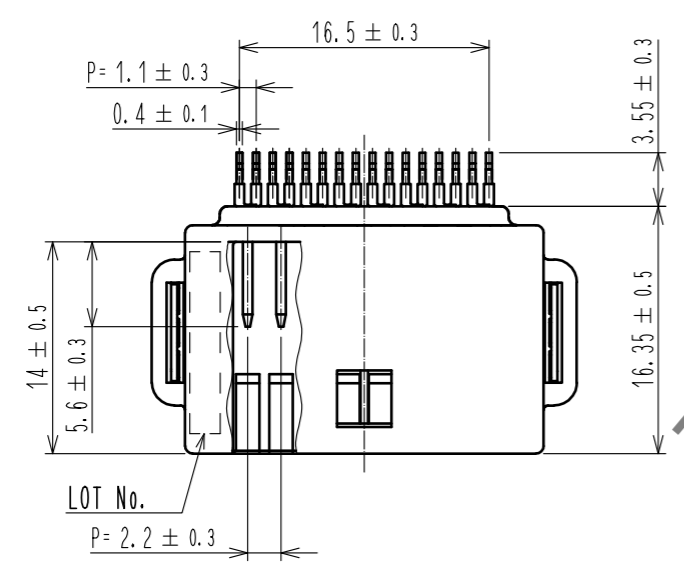
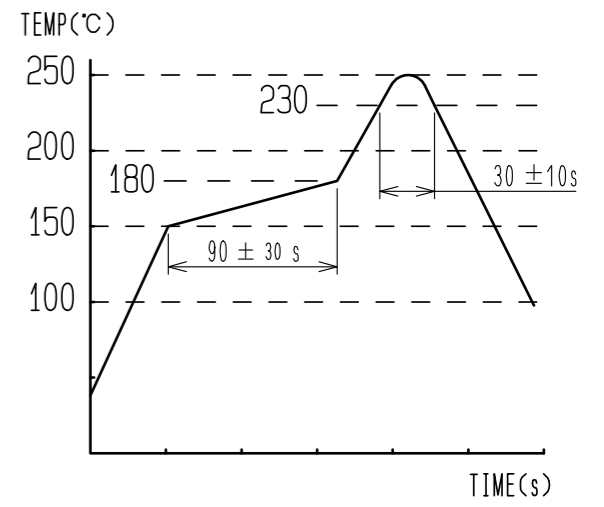


ELV, RoHS COMPLIANT

PIN ASSIGNMENT
 8 7 6 5 4 3 2 1
 16 15 14 13 12 11 10 9



- NOTE 1. RECOMMENDED TEMPERATURE PROFILE FOR REFLOW (REFER TO RIGHT FIG.)
 USED REFLOW SYSTEM : IR IN THE AIR OR NITROGEN
 NO. OF CYCLES : 2 MAX
 PEAK : 250°C
 OVER 230°C : 20~40s
 PREHEAT : 150~180°C
 60~120s
 2. TEMPERATURE FOR SOLDERING IRON : 280~300°C WITHIN 2s
 3. CO-PLANARITY SHALL BE 0.1mm MAX.
 4. RECOMMENDED PCB THICKNESS IS 1.6mm.
 5. RECOMMENDED SOLDER THICKNESS IS 0.15mm.



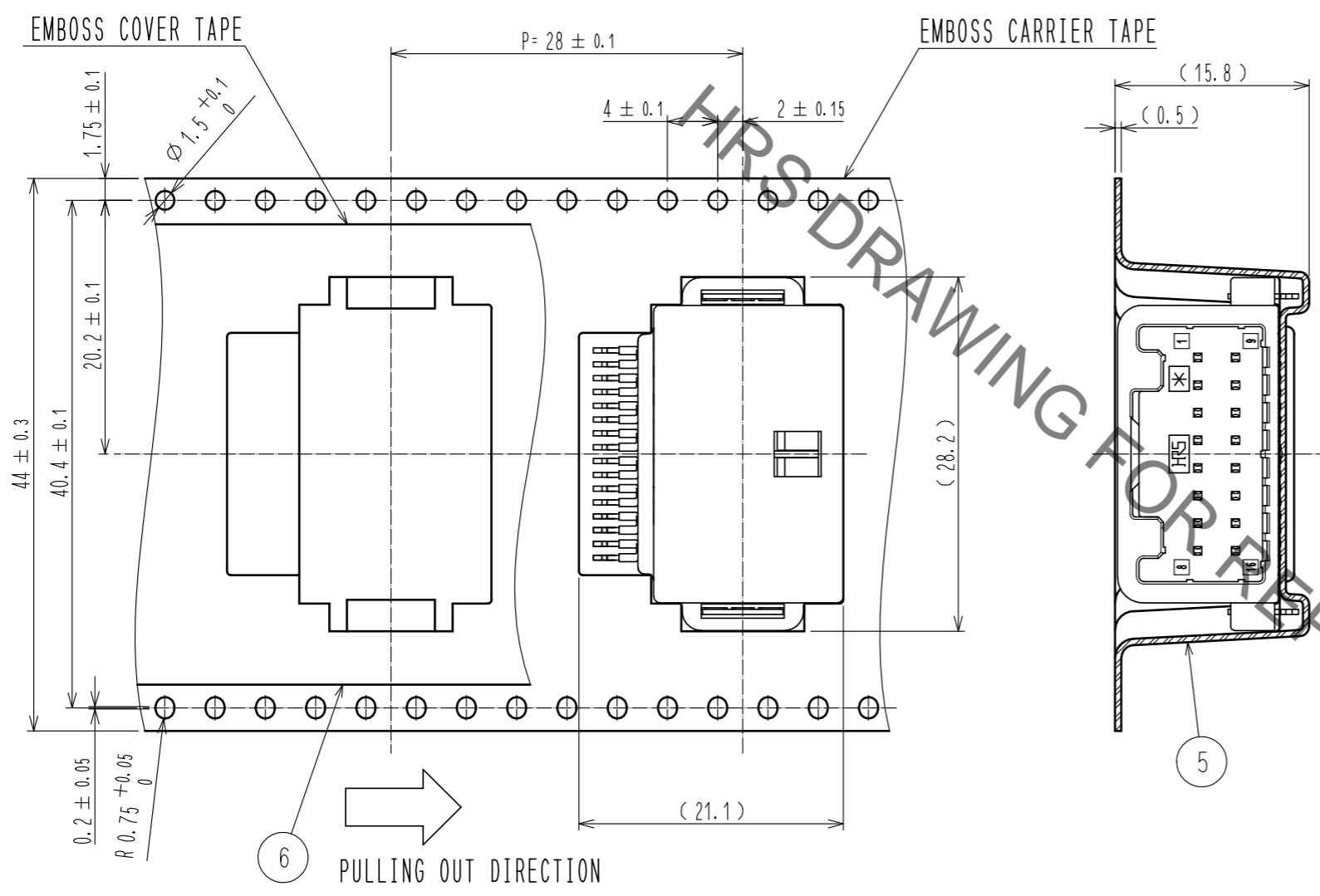
3	BRASS	TIN PLATED T=0.64	6	PET				
2	BRASS	TIN PLATED T=0.64	5	PS				
1	PPS	BLACK	4	BRASS	TIN PLATED T=0.4			
NO.	MATERIAL	FINISH . REMARKS	NO.	MATERIAL	FINISH . REMARKS			
UNITS	mm	SCALE	2 : 1	COUNT	DESCRIPTION OF REVISIONS	DESIGNED	CHECKED	DATE
HRS HIROSE ELECTRIC CO., LTD.		APPROVED : NH. NAKATA	16.03.28	DRAWING NO. EDC-361741-00-00				
		CHECKED : HS. OZAWA	16.03.27	PART NO. GT25H2-16DP-2.2H				
		DESIGNED : TK. SHISHIKURA	16.03.26	CODE NO. CL775-0089-4-00				
		DRAWN : TK. SHISHIKURA	16.03.26					

Mar.1.2022 Copyright 2022 HIROSE ELECTRIC CO., LTD. All Rights Reserved. In case of consideration for using Automotive equipment / device which demand high reliability, kindly contact our sales window correspondents.

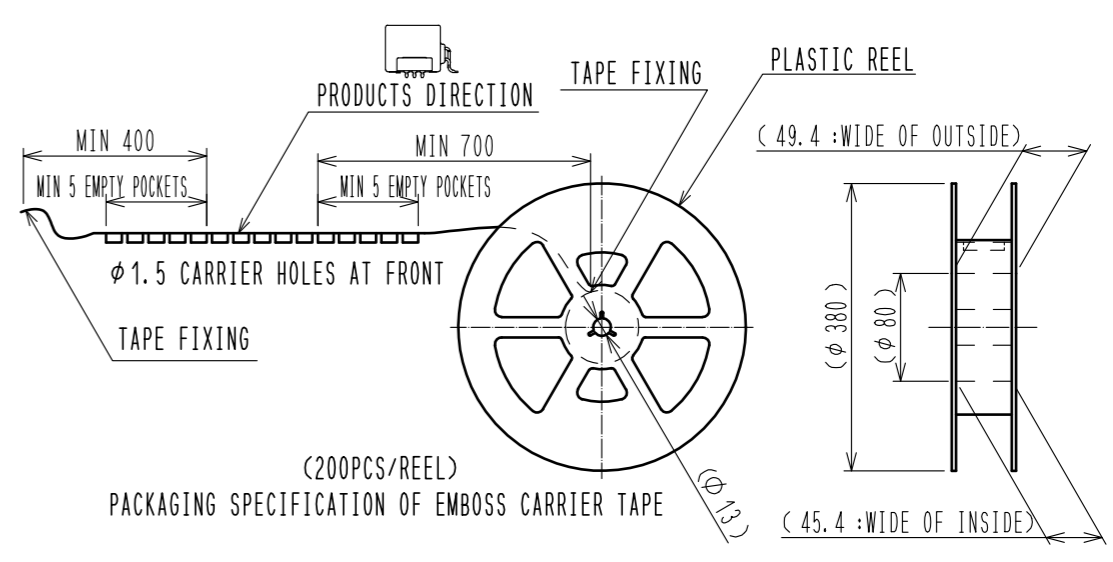
HRS DRAWING FOR REFERENCE

Mar.1.2022 Copyright 2022 HIROSE ELECTRIC CO., LTD. All Rights Reserved.
In case of consideration for using Automotive equipment / device which demand high reliability, kindly contact our sales window correspondents.

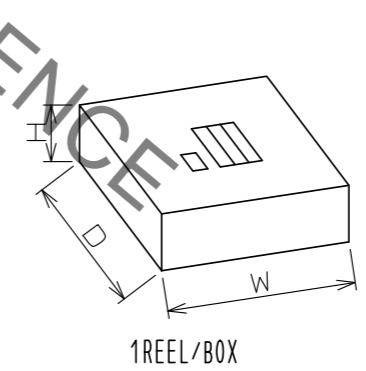
PACKAGING SPECIFICATION



REEL DIMENSION(FREE)



CARDBOARD DIMENSION(FREE)



BOX SIZE
W = (405) (mm)
D = (405) (mm)
H = (49) (mm)

HRS	DRAWING NO.	EDC-361741-00-00	2/2
	PART NO.	GT25H2-16DP-2.2H	
	CODE NO.	CL775-0089-4-00	