

Honeywell

SMALL PRECISION
LIMIT SWITCH

CATALOGUE LISTING
14CE SERIES
CHART MTG-CE-86

SWITCH TYPE	ISSUE	RELEASE NUMBER	OPTIONS	DIFF. TRAVEL (MAX.)	OPERATING FORCE (MAX)		RELEASE FORCE (MIN)		OPERATING POSITION	MAX FREE LENGTH
					NEWTONS	GMF	NEWTONS	GMF		
14CE1			A, D, G, P, H, L, V	0.1	11.8	1200	4.4	450	15.7+1.0	54
			K, V	0.1	22.5	2300				
14CE2			A, G, P	0.1	11.8	1200	4.4	450	28.5+1.0	67
14CE3			K, V	0.1	22.5	2300				
14CE18			A, D, G, H, L, P	0.1	22.5	2300	4.4	450	24.9+1.0	63
14CE19			A, D, G, H, L, P	0.1	11.8	1800				
14CE22			A, D, G, H, L, P	0.1	9	920	3	300	27.4 MAX	64.1
14CE27			A, D, G, H, L, P	0.1	11.8	1200				
14CE28			A, D, G, H, L, P	0.1	11.8	1200	4.4	450	42.5+1.0	81
14CE29		MS 11680 MS 11463	A, D, G, H, L, P	0.1						
14CE31			A, D, G, H, L, P	0.1	17.5	1800	4.4	450	34.4+1.0	73
14CE55			A, D, G, H, L, P	0.1						
14CE66			A, D, G, H, L, P	0.1	11.8	1200	4.4	450	24.4+1.0	63

14 CE SERIES
CHART MTG-CE-86

DRAWING NUMBER

ISSUE

REVISIONS

2	10.2.92	MS-11680
3	23.8.95	CN-16516
4	21.12.95	CN-16536
5		

CHECK

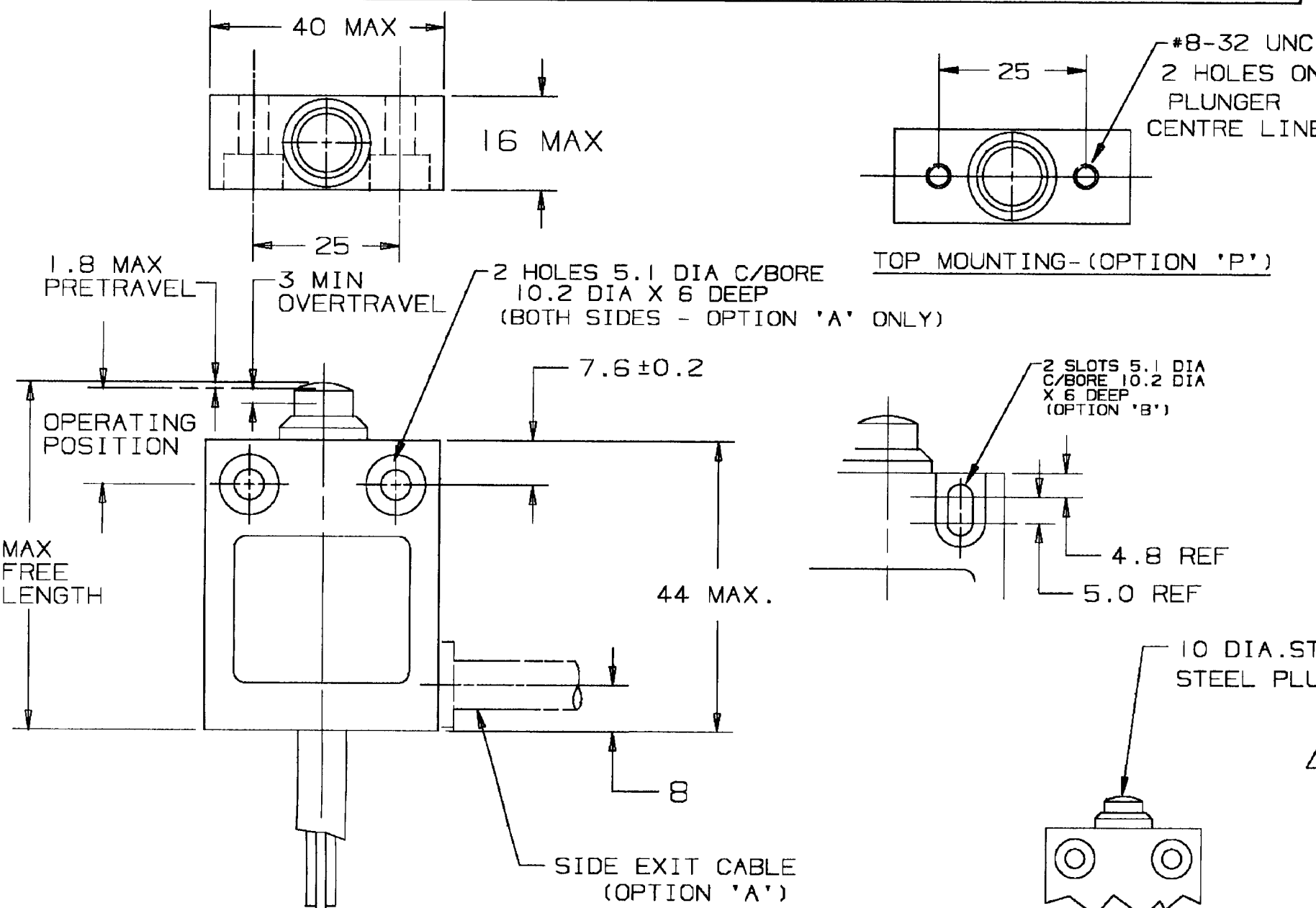
TRACED

DRAWN ML 23.4.90

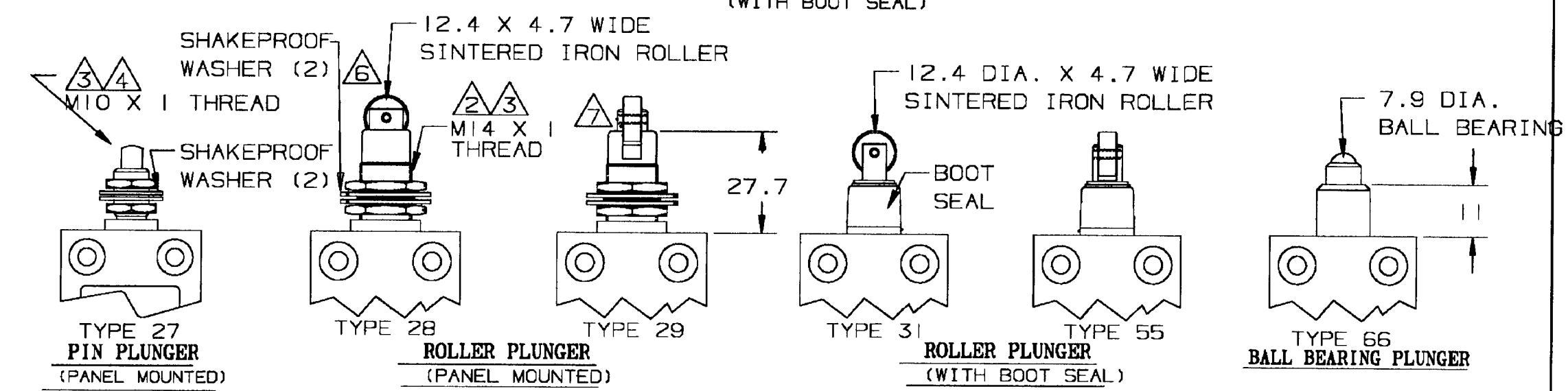
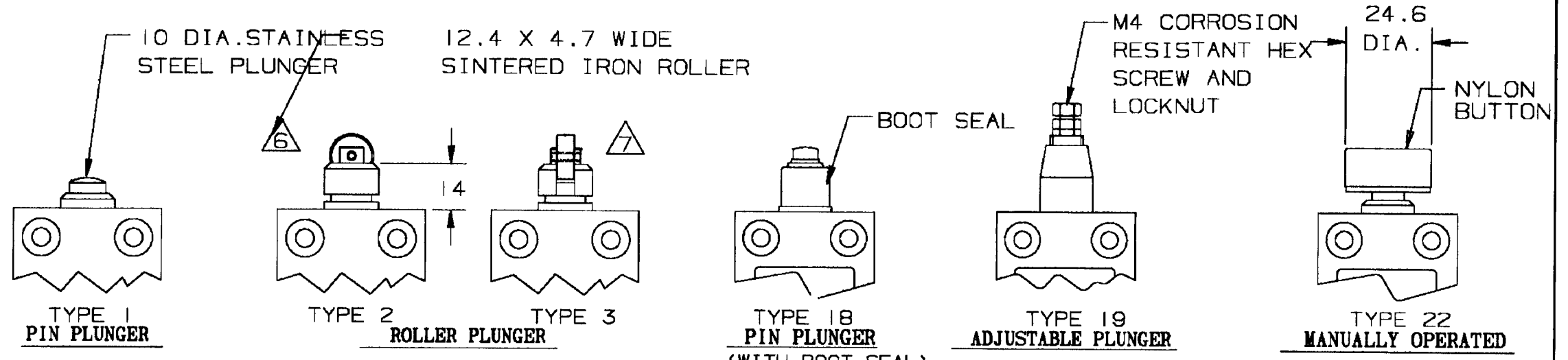
REPLACES
MS 11463

20MAR13
CMH

ECCO-0098992

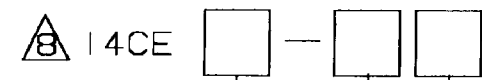


TOP MOUNTING - (OPTION 'P')



CATALOGUE LISTING CONVENTION

OPTIONS CAN BE COMBINED WITHIN LOGICAL LIMITS (EG 14CE2-1AK)



ACTUATOR TYPE CABLE LENGTH OPTIONS

1, 2, 3, 18, 19, 22, 27 LENGTH IN METRES
28, 29, 31, 55 OR 66

- A - SIDE ENTRY
- B - ELONGATED MOUNTING HOLES
- C - DOUBLE BREAK BASIC
- D - HALOGEN FREE CABLE
- F - BIFURCATED GOLD CONTACTS
- G - GOLD CONTACTS
- H - HIGH TEMPERATURE (150°C)
- K - "O" RING SEALED PLUNGER (NITRILE)
- L - LOW TEMPERATURE. (-40°C)
- LI - LOW TEMPERATURE. (-40°C) CABLE NOT SUITABLE FOR FLEXING
- P - TOP MOUNTING
- V - VITON "O" RING SEALED PLUNGER

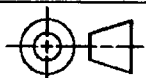
NOTES :-

- 1 : DIE CAST HOUSING FINISHED IN GREY PAINT
- 2 : SWITCH MOUNTS THROUGH A 14,5 DIA HOLE
- 3 : MAXIMUM PANEL THICKNESS = 4,2
- 4 : SWITCH MOUNTS THROUGH 10.5 DIA HOLE
- 5 : TEMPERATURE RANGE : 0°C TO +70°C (STANDARD)
- 6 : ROLLER PARALLEL WITHIN 3° TO MOUNTING FACE
- 7 : ROLLER PERPENDICULAR WITHIN 3° TO MOUNTING FACE
- 8 : ALL LOGICAL LISTINGS ARE IEC 947-5-1 APPROVED EXCEPT: OPTIONS C, F, G.
- 9 : LISTINGS CAN BE SUFFIXED WITH R.S (e.g 14CE1-1KRS)

BASIC SWITCH	ELECTRICAL RATINGS		CIRCUIT DIAGRAM	CABLE
STANDARD SILVER CONTACTS	5A - 250VAC (STANDARD)	IEC 947-5-1 EN60947-5-1		4 X 0.75 MM HARMONISED CENELEC CABLE.
GOLD CONTACTS - OPTION 'G'	1A 125VAC 30VDC	AC14 D300 DC13 R300		

THE COPYRIGHT OF THIS DRAWING IS THE PROPERTY OF HONEYWELL LTD. THE DRAWING IS SUPPLIED IN CONFIDENCE AND MUST NOT BE USED FOR ANY PURPOSE OTHER THAN THAT FOR WHICH IT IS SUPPLIED

THIRD ANGLE PROJECTION



PLOT SCALE 1/1