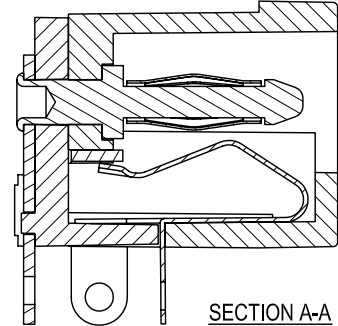
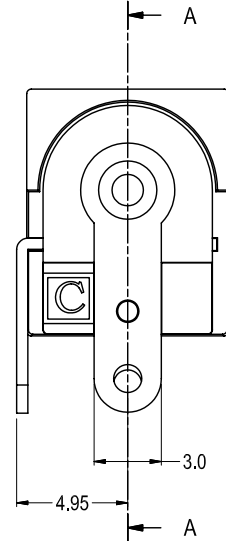
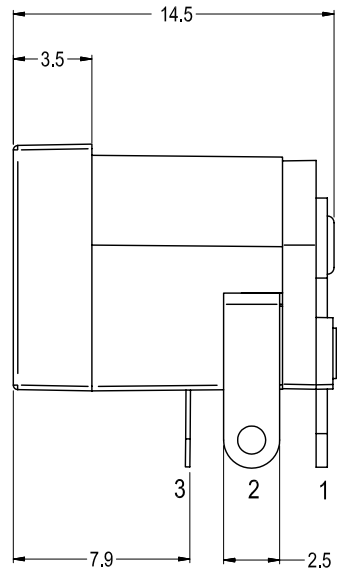
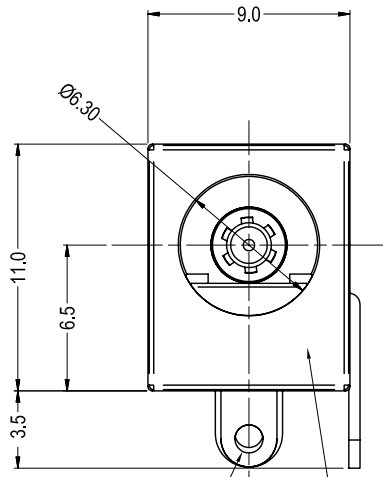
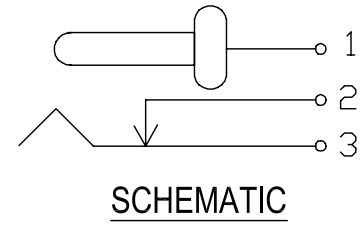
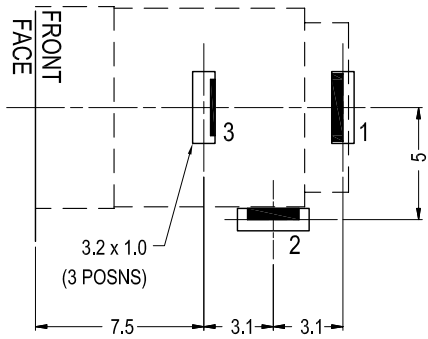


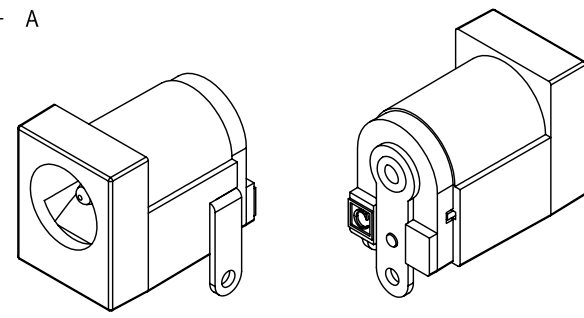
ISS.	AMEND	DATE
1	ISSUED	28/07/2011
2	NOTE 3 ADDED	06/10/2011
3	LOGO POSITION	22/03/2012

PC LAYOUT
(COMPONENT SIDE
-SOCKET OMITTED
FOR CLARITY)



NOTES:-
Ø1.25 TYP
ALTERNATIVE LOGO POSITION

- SUITABLE FOR USE WITH Ø2.1mm OR Ø2.5mm DC PLUG.
- RATED: 5A / 12V DC.
LIFE: 5,000 INSERTIONS MINIMUM.
INSULATION RESISTANCE BETWEEN ANY OPEN CONTACT
>100MΩ @ 500V DC.
- HOUSING MATERIAL: PBT 30% GF TO UL94 V-0 (3.2mm)
(CHANG CHUN PLASTIC PBT4830)



RoHS COMPLIANT
TOLERANCE
NO DEC. PLACE ±
1 DEC. PLACE ±
2 DEC. PLACE ±
HOLE Ø ±
ANGLES ±
UNLESS OTHERWISE STATED
DO NOT SCALE

Cliff Electronic Components Ltd. 76 Holmesthorpe Avenue, Holmesthorpe Industrial Estate, Redhill, Surrey, RH1 2PF, England, UK Tel: 01737-771375 Fax: 01737-766012 Website: www.cliffuk.co.uk	DIMENSIONS IN MILLIMETERS UNLESS OTHERWISE STATED. WORK TO DIMENSIONS. REMOVE ALL BURRS. IF IN DOUBT ASK.		3rd ANGLE PROJECTION:
	MATERIAL: PBT / BRASS / PhBrz / BeCu FINISH: AS MOULDED / SILVER PLATED TAGS		TITLE: DC10L SOCKET (SOLDER TAG)
THE CONTENTS OF THIS DOCUMENT MUST NOT BE COPIED OR DISCLOSED TO A 3rd PARTY WITHOUT WRITTEN PERMISSION OF CLIFF UK. © 2011	DRAWN: NJB	APPROVED: DPJ	DRWG. No. FC 681465
			FORM: A4DRWGH