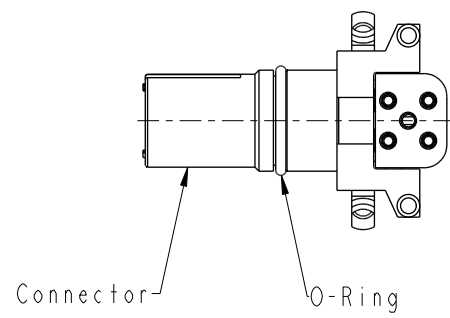
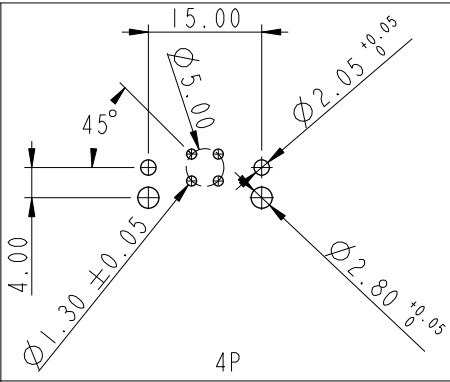
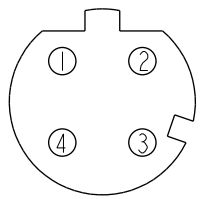
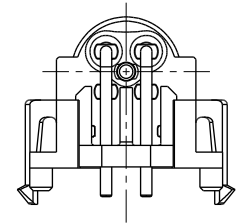
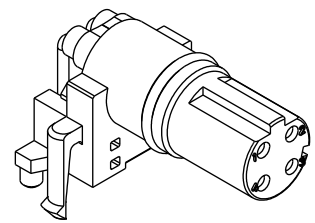
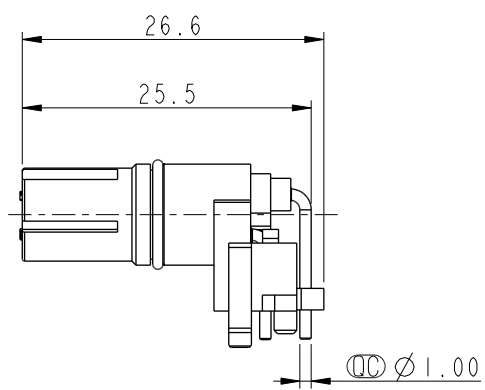
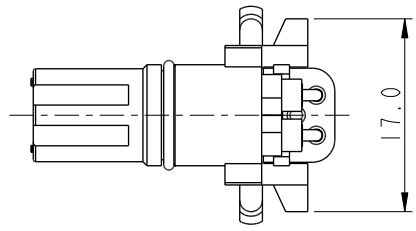
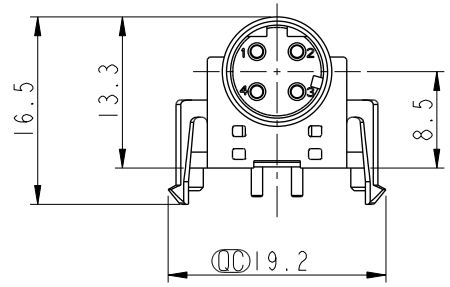


THIS DOCUMENT IS SUBJECT TO CHANGE WITHOUT NOTICE. IT IS CONFIDENTIAL AND A PROPERTY OF Amphenol LTW. DISCLOSURE TO THIRD PARTY HAS TO BE AUTHORIZED BY Amphenol LTW.

| REV. | ECN NO. | DATE       | SIGN      | DESCRIPTION     |
|------|---------|------------|-----------|-----------------|
| A    |         | 2022-03-07 | Jiahe Lin | Rev.01 To Rev.A |
|      |         |            |           |                 |

M12D-XXPFFR-EE0001  
 XX: No. Of Pin



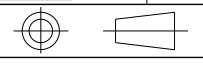
Note:  
 \* RoHS Compliant  
 \*  $\text{⌀}$  Important dimension  
 \* Waterproof rate: Non-Waterproof  
 \* Connector  
 Housing: Thermoplastic, Black  
 Pin: Copper alloy, Gold plated  
 O-Ring: Rubber, Gray  
 \* For pcb thickness max: 1.6mm

Pin Assignment  
 Front View

PCB Layout

UNIT:mm

|           |       |
|-----------|-------|
| TOLERANCE |       |
| .X        | ±0.25 |
| .XX       | ±0.1  |
| .XXX      | ±0.05 |
| ANGLES    | ±1°   |



|   |                |                              |  |
|---|----------------|------------------------------|--|
| TITLE<br>N SEN, M12 D,<br>RECEPTACLE, F, F, PCB R |                |                              |  |
| SCALE<br>3:2                                      | SIZE<br>A4     | SHEET<br>1 OF 1              |  |
| REV.<br>A   | WC-REV.<br>A.1 | $\text{⌀}$ : Inspection item |  |

**Amphenol LTW**  
 安費諾亮泰企業股份有限公司

|                              |                         |                    |
|------------------------------|-------------------------|--------------------|
| ITEM NO                      | DRAWN BY<br>Jiahe Lin   | DATE<br>2022-03-07 |
| DWG NO<br>M12D-XXPFFR-EE0001 | CHECKED BY<br>Allen Pan | DATE<br>2022-03-07 |
| CUSTOMER<br>ALTW             | APPROVED BY<br>Fred Lee | DATE<br>2022-03-07 |