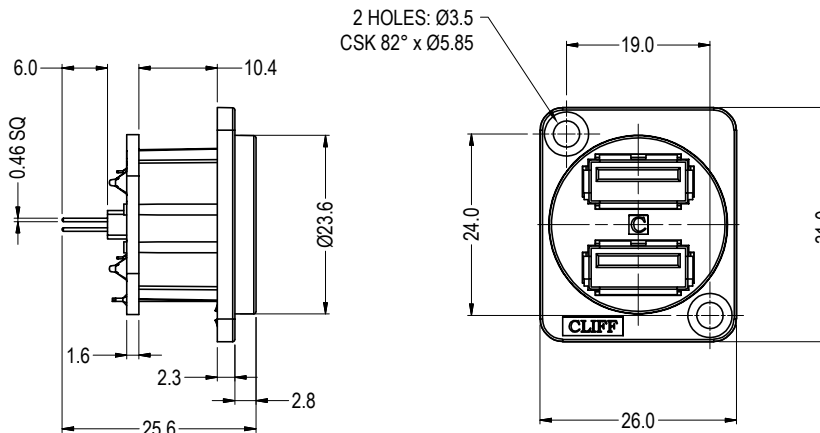
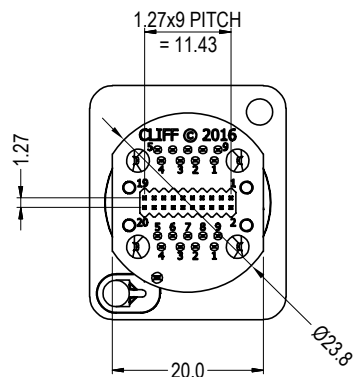
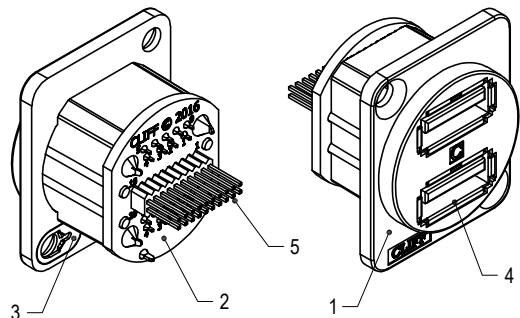
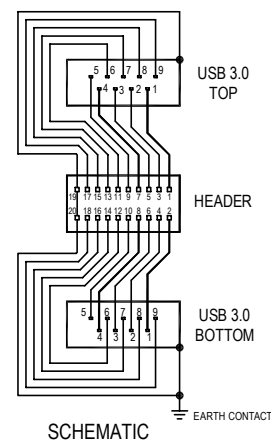
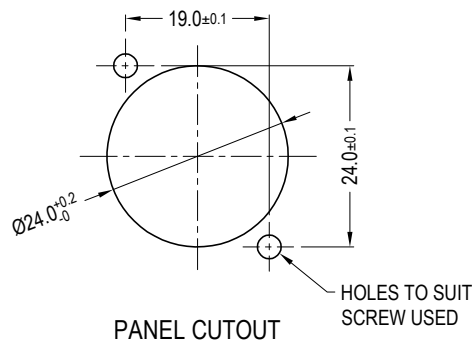
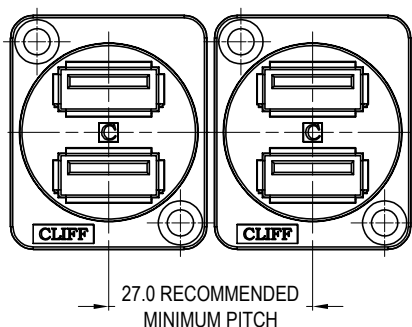


ISS.	AMEND	DATE
1	ISSUED	30/11/16
2	ADD MATERIAL TABLE	23/03/20



ITEM	PART No.	DESCRIPTION	MATERIAL	FINISH	QTY
1	CP30100SA1	BODY MOULDING CSK	PA66	BLACK	1
2	CP30105SA2	DUAL USB3 PCB	FR4	-	1
3	CP30100SA3	EARTH CONTACT	BRASS	TIN PLATE	1
4		USB3 SOCKET	-	-	2
5		HEADER 2x10 1.27mm PITCH	PA66 BRASS	BLACK TIN PLATE	1

	Pin No.		Header Pin
Top USB	1	VBUS	1
	2	D-	3
	3	D+	5
	4	GND	7
	5	StdA_SSRX-	9
	6	StdA_SSRX+	11
	7	GND_DRAIN	13
	8	StdA_SSTX-	15
	9	StdA_SSTX+	17
USB Body + Panel Earth			19
Bottom USB	1	VBUS	2
	2	D-	4
	3	D+	6
	4	GND	8
	5	StdA_SSRX-	10
	6	StdA_SSRX+	12
	7	GND_DRAIN	14
	8	StdA_SSTX-	16
	9	StdA_SSTX+	18
USB Body + Panel Earth			20



RoHS
COMPLIANT

TOLERANCE
 NO DEC. PLACE ±
 1 DEC. PLACE ±
 2 DEC. PLACE ±
 HOLE Ø ±
 ANGLES ±
 UNLESS OTHERWISE STATED

DO NOT SCALE

Cliff Electronic Components Ltd.

76 Holmehorpe Avenue, Holmehorpe Industrial Estate,
 Redhill, Surrey, RH1 2PF, England, UK
 Tel: 01737-771375 Fax: 01737-766012 Website: www.cliffuk.co.uk

THE CONTENTS OF THIS DOCUMENT MUST NOT BE COPIED OR DISCLOSED TO A 3rd PARTY WITHOUT WRITTEN PERMISSION OF CLIFF UK. © 2016

DIMENSIONS IN MILLIMETERS UNLESS OTHERWISE STATED. WORK TO DIMENSIONS. REMOVE ALL BURRS. IF IN DOUBT ASK.

MATERIAL: SEE TABLE
 FINISH: SEE TABLE

DRAWN: NJB

APPROVED: DPJ

3rd ANGLE PROJECTION:

TITLE: XLR DUAL USB3.0 FRONT MOUNT SOCKET CSK HOLES

DRWG. No. CP30105

FORM: A4DRWGH