

## Shielded Cat 6A Plug for XXL Cable



### Shielded Cat 6A Plug for XXL Cable (PGScbXL)

High performance, shielded plug made to be terminated with extra-large outer diameter cables for Category 6 and 6A. Patented design allows for an exceptionally low profile final assembly together with its tailor-made strain relief boot, PS3.

#### Features

- Designed for Category 6 and 6A performance.
- Suitable for extra-large cable (eg Cat 6A and Cat 7) up to 8.5mm OD and cores up to 1.45mm OD.
- 3 prong contacts for solid and stranded cable
- 2-part, shielded plug compliant with standards of POE.
- Retaining pieces ensure secure fit of patented flush-fitting strain-relief boot, [PS3](#).
- Designed for use with specialist crimping tool, [T23PGSXL](#).

#### Specifications

- Weight: 2g
- Dimensions (L x W x H): 30 x 11.7 x 13.2mm
- Durable for a minimum of 750 cycles.
- Materials:
  - Contacts: 50µ"/1.27µm gold plated Phosphor Bronze.
  - Housing: Polycarbonate UL94V-0.

#### Packaging:

- Packaged in poly bags of 50 pieces.
- Also available as package with boots in bags of 20.

**EAN:** 5055386509710

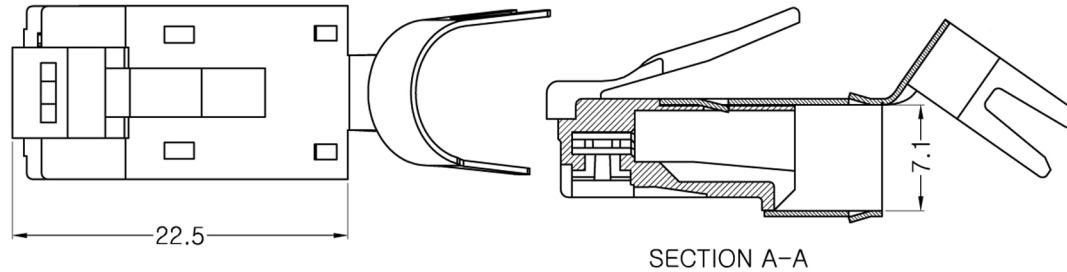
**Commodity code:** 85444920



25/01/22

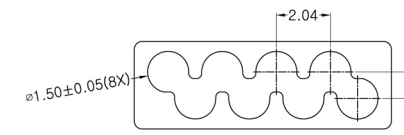
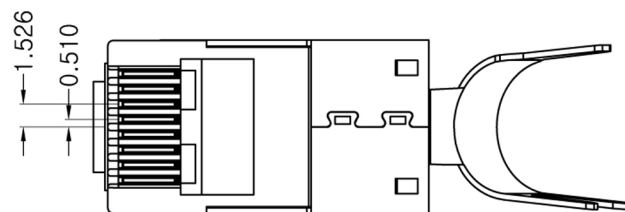
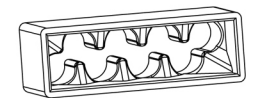
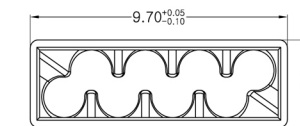
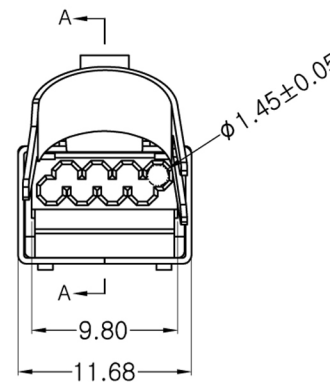
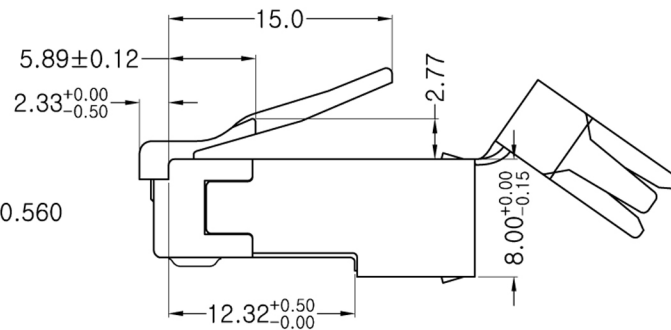
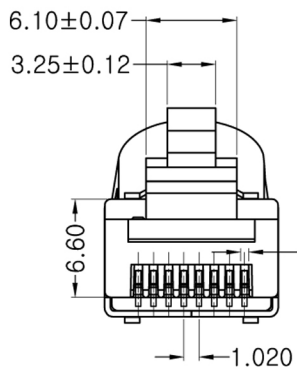
ROHS and REACH Compliant

Code: PGScbXL



**Specifications:**

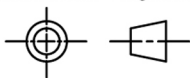
1. Operation temperature: -40°C ~ 85°C
2. Electrical characteristics:
  - Rated current: 125V AC, 1.5A @ 25°C
  - Contact resistance: 20mΩ max.
  - Insulation resistance: 500MΩ min., 100V DC/min
  - Voltage proof: 1000V AC/1 minute no breakdown
3. Mechanical characteristics:
  - Insertion force and Withdrawal force: 30N Max.
  - Durability: 750 cycles min.



**DIMENSIONAL TOLERANCE**

X.X	±0.2
X.XX	±0.10
X.XXX	±0.05
ANGLE	±2°

**THIRD ANGLE PROJECTION**



## Combined Plug and Boot for XXL Cable



### **Combined Plug and Boot for XXL Cable (PGScb7.5XCLR#20, PGScb8.5CLR#20)**

High-performance shielded plug and boot combination designed for extra-large outer diameter cable for Category 6 and 6A. The patented design allows for the plug and boot to have an extremely low profile and a secure fit.

#### **Features**

- Plug and boot designed uses patented technology in order for the boot and plug to fit securely together.
- Designed for Category 6 and 6A performance.
- Suitable for extra-large cable (eg Cat 6A and Cat 7) up to 8.5mm OD and cores up to 1.45mm OD.
- 3 prong contacts for solid and stranded cable.
- 2-part, shielded plug compliant with standards of POE.
- High-quality, durable boot made of transparent polycarbonate (also available in black - PS3bk7.5 and PS3bk8.5)
- See PGScbXL (plug) and PS3CLR (boot) for separate items.

#### **Specifications**

- Weight: 2.5g
- Dimensions (L x W x H): 30 x 11.7 x 17mm (approx.)
- Colour: Transparent boot with metal, shielded plug.
- Material:
  - Boot: Polycarbonate
  - Plug:
    - Contacts: 50 $\mu$ "/1.27 $\mu$ m gold plated Phosphor Bronze.
    - Housing: Polycarbonate UL94V-0.
    - Shielding: Nickle-plated brass.

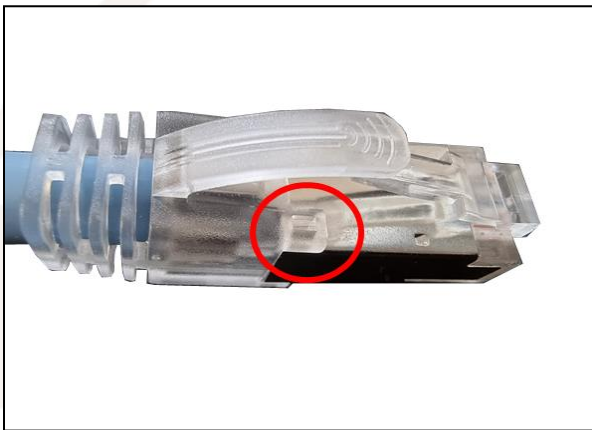
**Packaging:** Packaged in poly bags of 20 complete sets.

**EAN Numbers:**

PGScb7.5CLR: 5055386509772

PGScb8.5CLR: 5055386509789

**Commodity code:** 85444920



Illustrative photo of latch mechanism which ensures secure and flush fit.

19/01/22