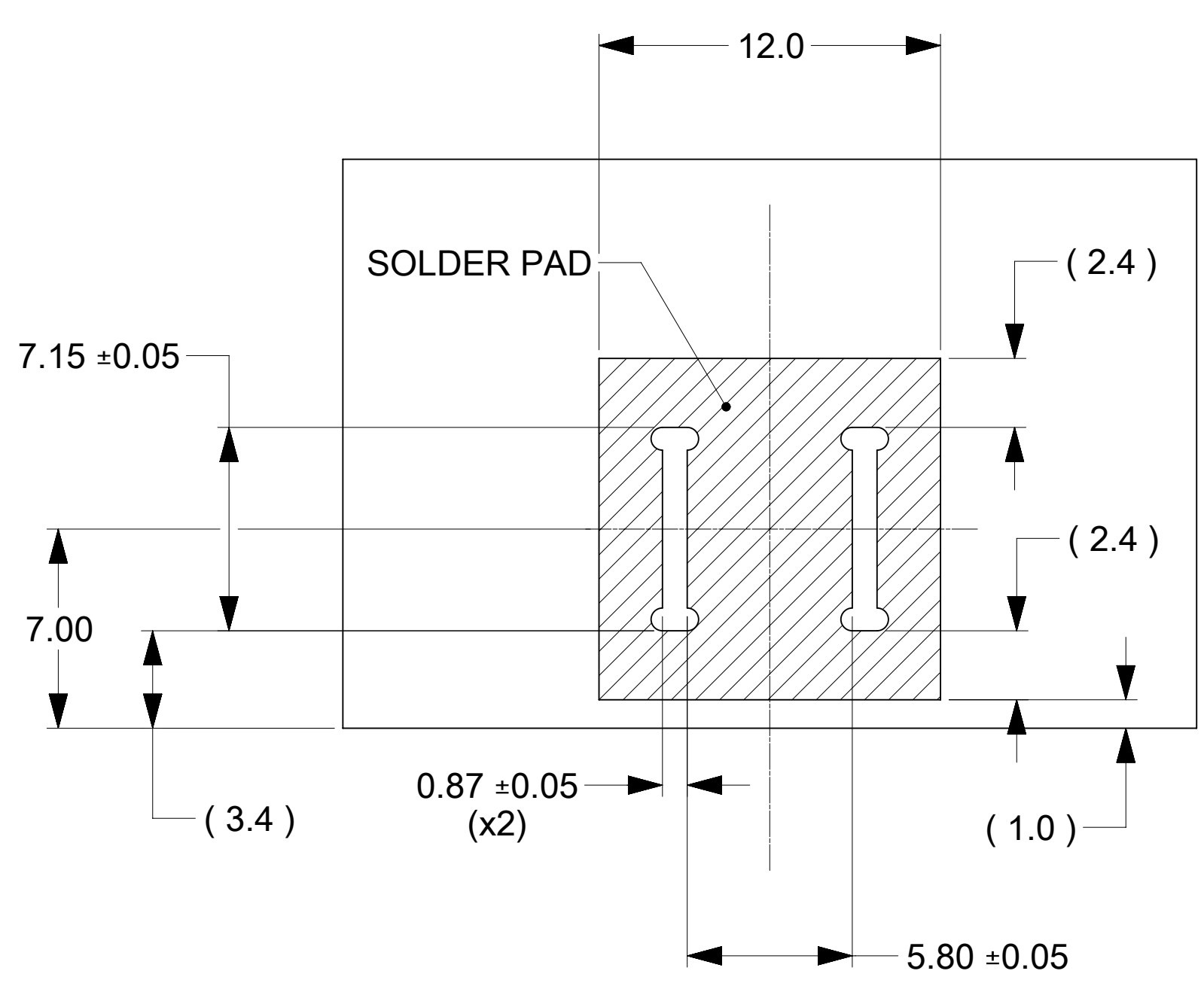
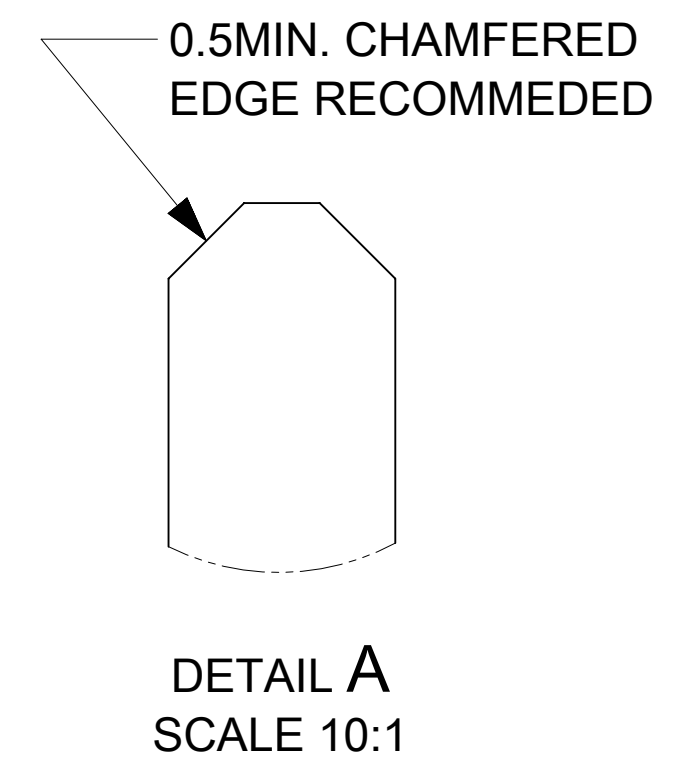


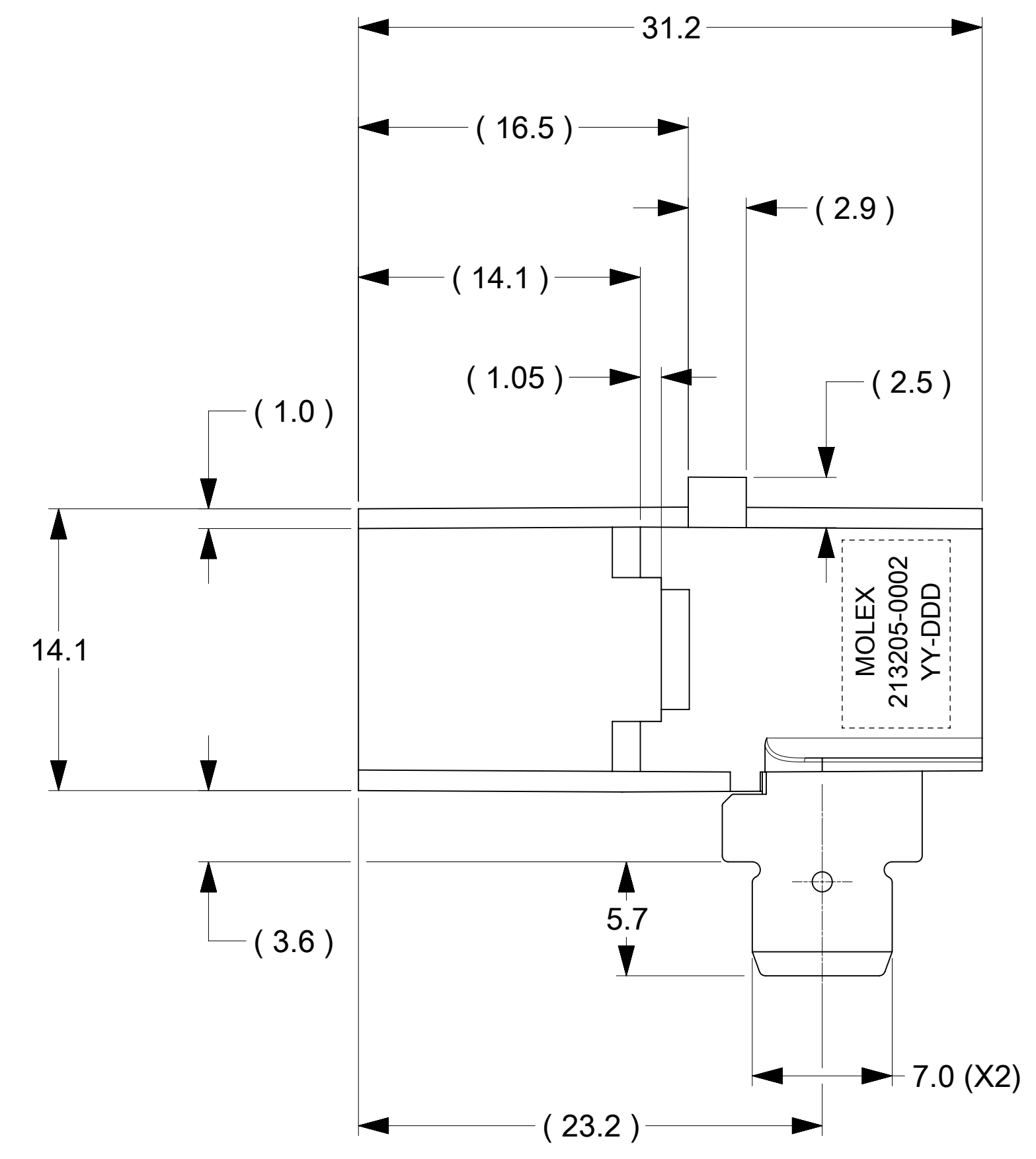
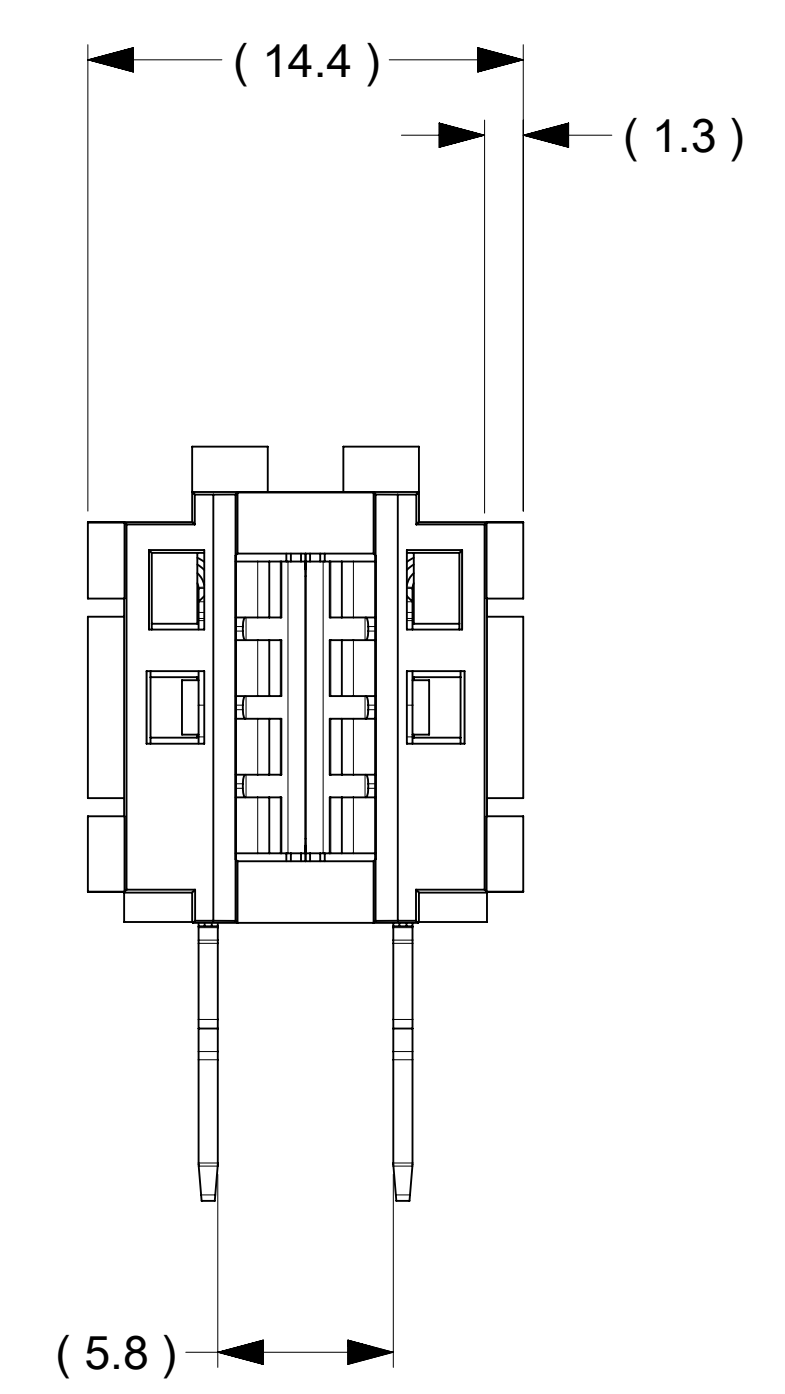
PCB, BUSBAR  
IN THESE VIEWS ARE SHOWN FOR REFERENCE ONLY



RECOMMENDED PCB LAYOUT  
(THICKNESS 4.8mm MAX.)



- NOTES:
- MATERIALS:
    - HOUSING BODY: POLYMER. UL94V-0; BLACK.
    - TERMINALS: COPPER ALLOY.
    - RIVET/CLIP: COPPER ALLOY.
  - PLATING:
    - CONTACT AREAS: 3.18 MIN MICRON SILVER, OVER 1.27 MIN. MICRON NICKEL.
    - TAB AREAS: 3.18 MIN. MICRON TIN, OVER 1.27 MIN. MICRON NICKEL.
    - REST: 1.27 MIN. MICRON NICKEL OVERALL.
  - LUBRICATION: LUBED IN CONTACT AREA.
  - REFERENCE DOCUMENT: 2131910001-PS, 2131910001-AS
  - MODULE ASSEMBLY IS RoHS COMPLIANT.
  - FINAL ASSEMBLY TO BE PACKAGED AND LABELED PER PACKAGING DRAWING NUMBER 2131910002-PK.
  - MATED BUSBAR SHOULD BE PLATED WITH SILVER OVER NICKEL.



FUNCTIONAL SYMBOLS	THIS DRAWING CONTAINS INFORMATION THAT IS PROPRIETARY TO MOLEX ELECTRONIC TECHNOLOGIES, LLC AND SHOULD NOT BE USED WITHOUT WRITTEN PERMISSION		CURRENT REV DESC:		<b>molex</b>
	FA = 0	mm	SCALE	5:1	
DIVISIONAL SYMBOLS	FE = 0	GENERAL TOLERANCES (UNLESS SPECIFIED)		EC NO: 689515	POWER PLANE BBC 4C RIGHT ANGLE-TH
	FP = 0	4 PLACES	±	DRWN: TOMLU 2021/12/17	
DRAFT WHERE APPLICABLE MUST REMAIN WITHIN DIMENSIONS	ANGULAR TOL		±	°	PRODUCT CUSTOMER DRAWING
	3 PLACES	±	CHK'D: BPISZCZOR 2022/03/07	APP'R: BPISZCZOR 2022/03/07	
	2 PLACES	±	0.15	INITIAL REVISION:	
	1 PLACE	±	0.25	DRWN: TOMLU 2020/06/04	
DRAFT WHERE APPLICABLE MUST REMAIN WITHIN DIMENSIONS		THIRD ANGLE PROJECTION	DRAWING	SERIES	DOCUMENT NUMBER
			D-SIZE	213205	2132050002-SD
					DOC TYPE
					PSD
					DOC PART
					000
					REVISION
					A
					MATERIAL NUMBER
					2132050002
					CUSTOMER
					SHEET NUMBER
					1 OF 1