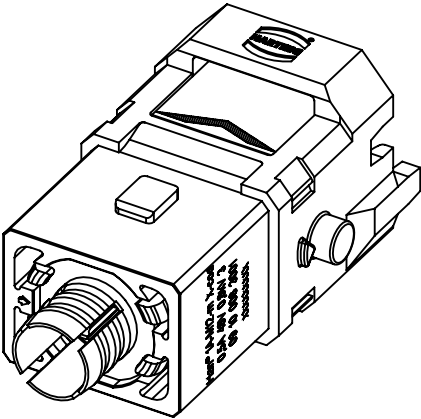


cable tie enclosed

order contacts separately

wire gauge	part-no.
AWG 28-24	21 01 100 9014
AWG 26-23	21 01 100 9019



	All rights reserved Department EL PD	All Dimensions in mm Original Size DIN A4	Scale 2:1	Free size tol.	Ref. Sub.
		Created by HOLLERT	Inspected by HERBRECHTSME	Standardisation	Date 2021-09-28
HARTING D-32339 Espelkamp		Title Han 1A-M12-m X-coded, latch			Doc-Key / ECM-Nr. 100761156/UGD/001/E 500000196016
		Type TB	Number 09 10 008 3001		Rev. E
					Page 1/1