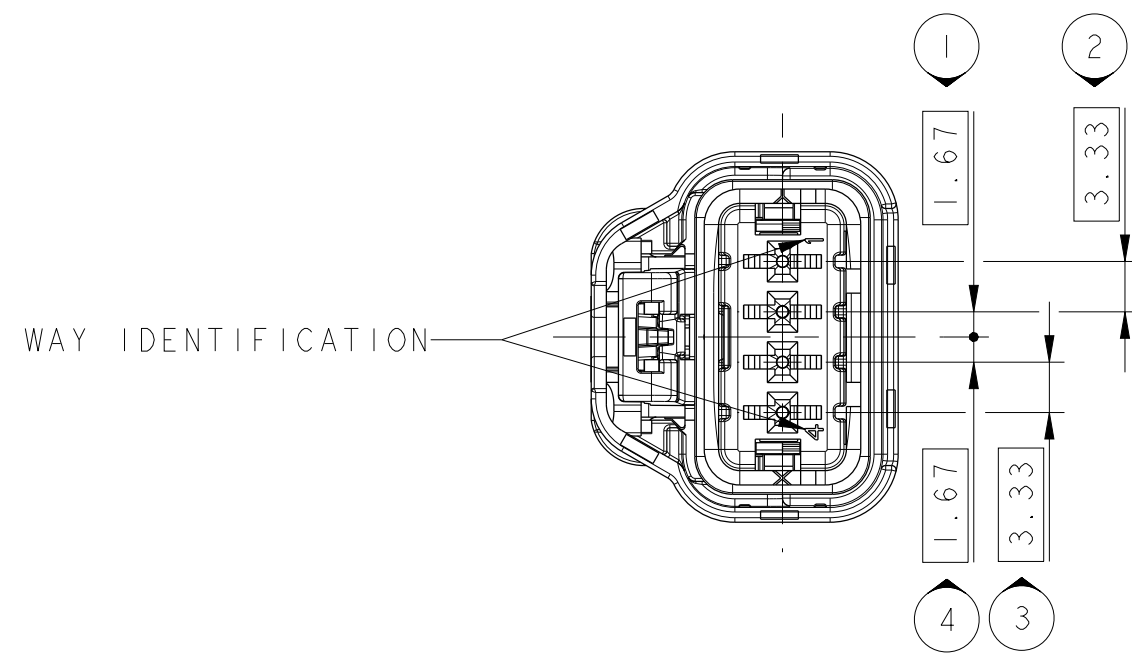
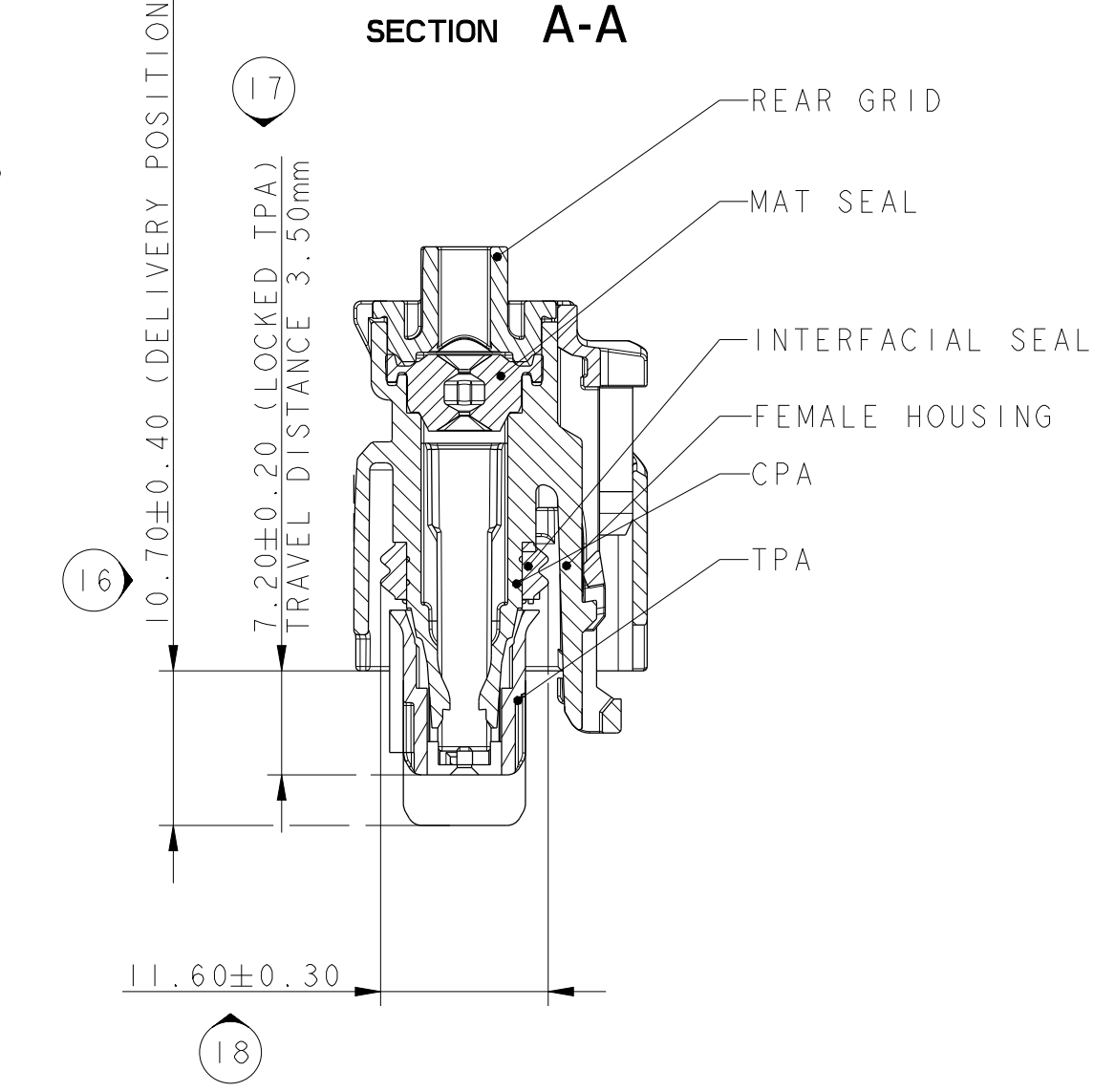
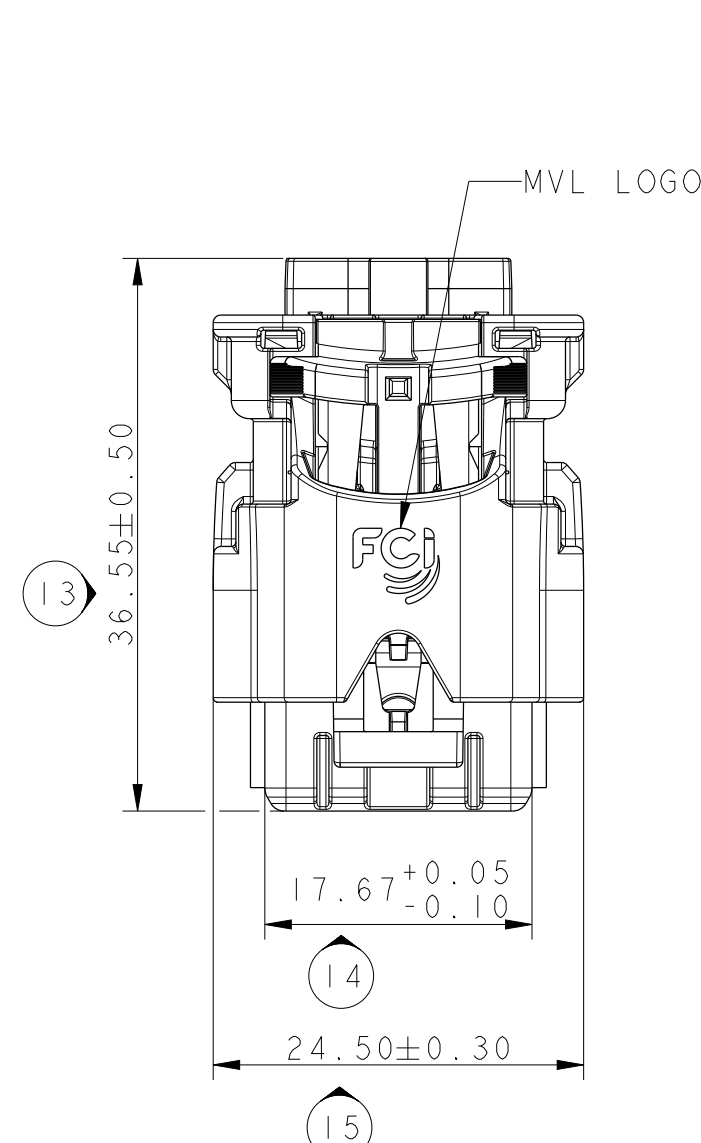
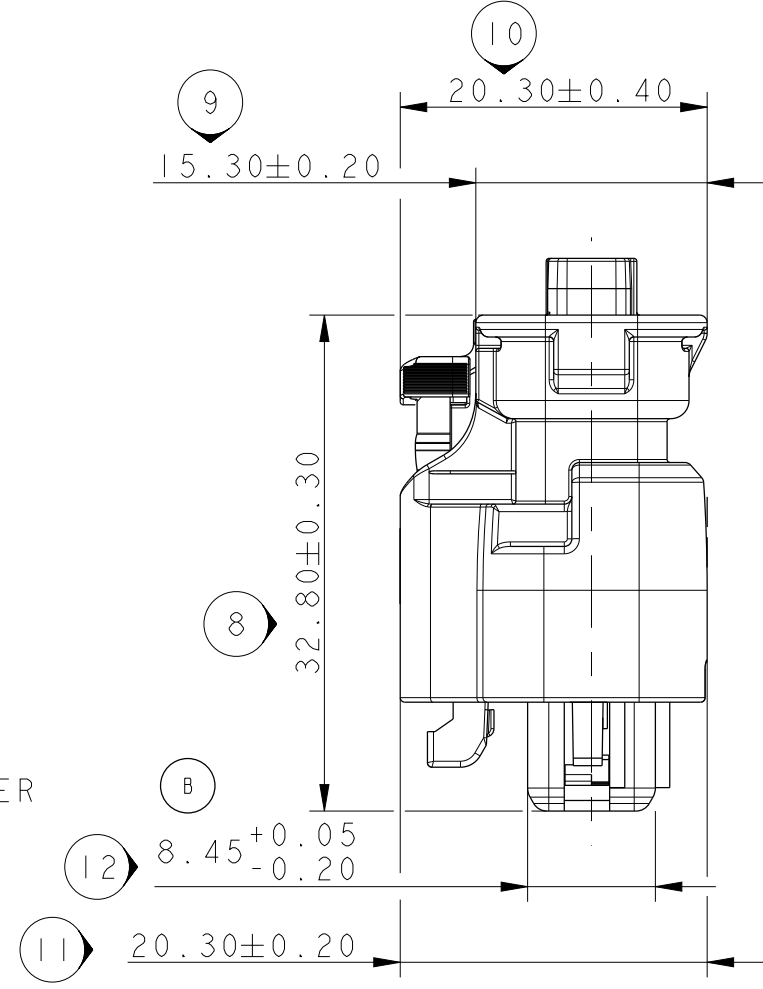
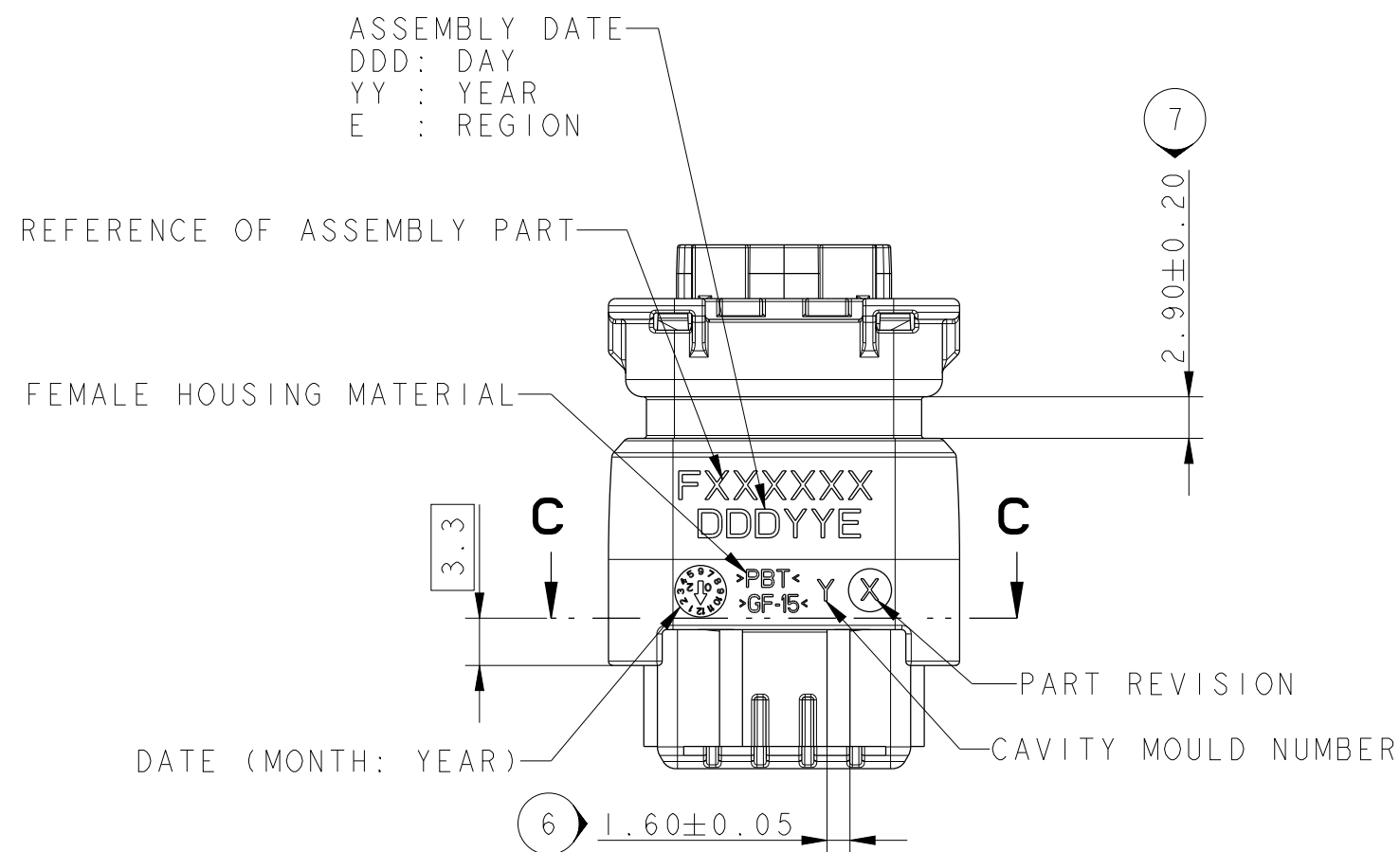
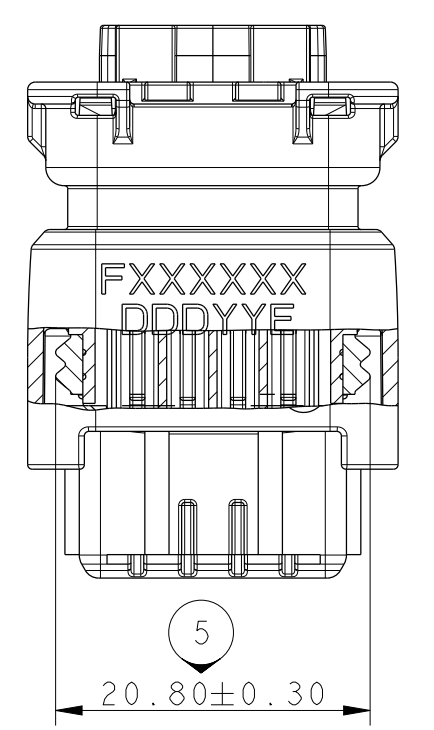


NOTE	SPECIFICATIONS
1	USER'S MANUAL MVL'S REFERENCE: PUI64 - ASSOCIATED PRODUCTS (CONTACT, PLUG, ...) ARE DEFINED IN THE USER'S MANUAL
2	WIRE INSULATION DIAMETER :MINI=1.25 :MAXI=2.80
3	DELIVERED CONNECTOR WEIGHT : 8.5g (B)
4	FEMALE/MALE CONNECTOR MATING FORCE F 75 N
5	COMPATIBLE WITH INTERFACE DRAWING 21IFT0289 Rev. C

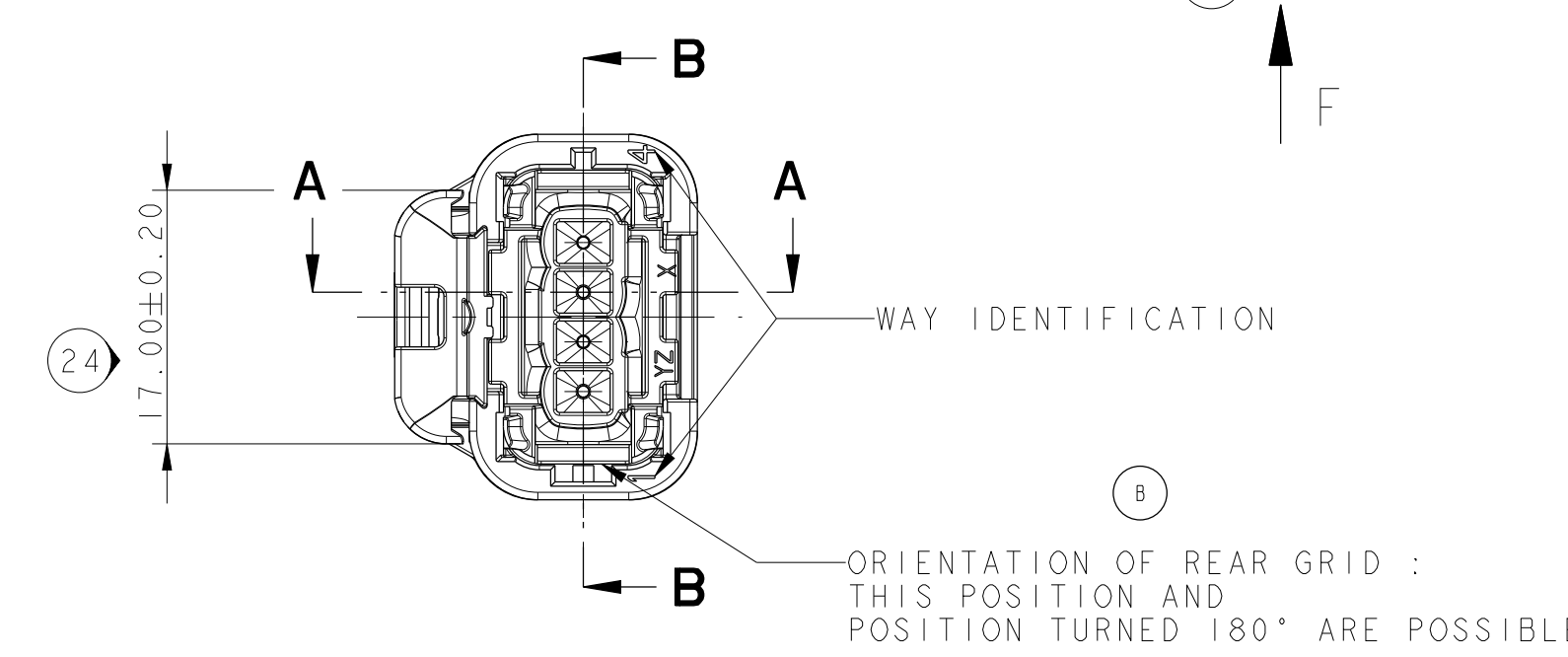
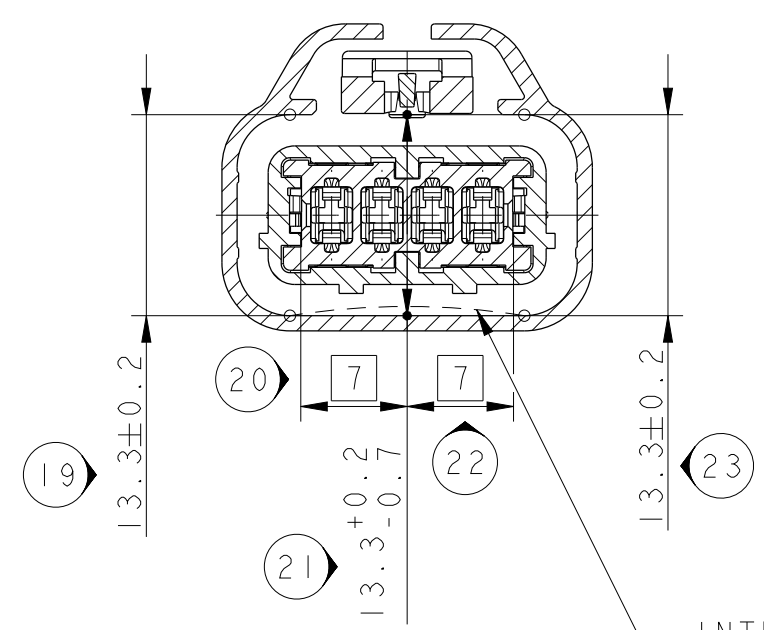
REAR GRID	S383700	33512021	PBT GF15	BLACK
FEMALE HOUSING	S563700	33511994	PBT GF15	BLACK
TPA	S004700	33511997	PBT GF15	BLACK
	S993700	33511998		BLUE
	S893700	33511999		GREY
	S104700	33512000		RED
	S204700	33512001		PURPLE
CPA	S683700	33512015	PBT GF15	ORANGE
MAT SEAL	S293700	33501744	SILICONE	GREY
INTERFACIAL SEAL	S393700	33501732	SILICONE	BLUE
DESCRIPTION	MVL'S SERIAL REF.	DELPHI'S SERIAL REF. (B)	MATERIAL	COLOUR



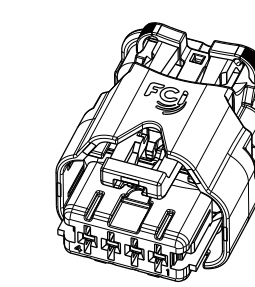
SECTION LOCAL B-B



SECTION C-C



3D VIEW

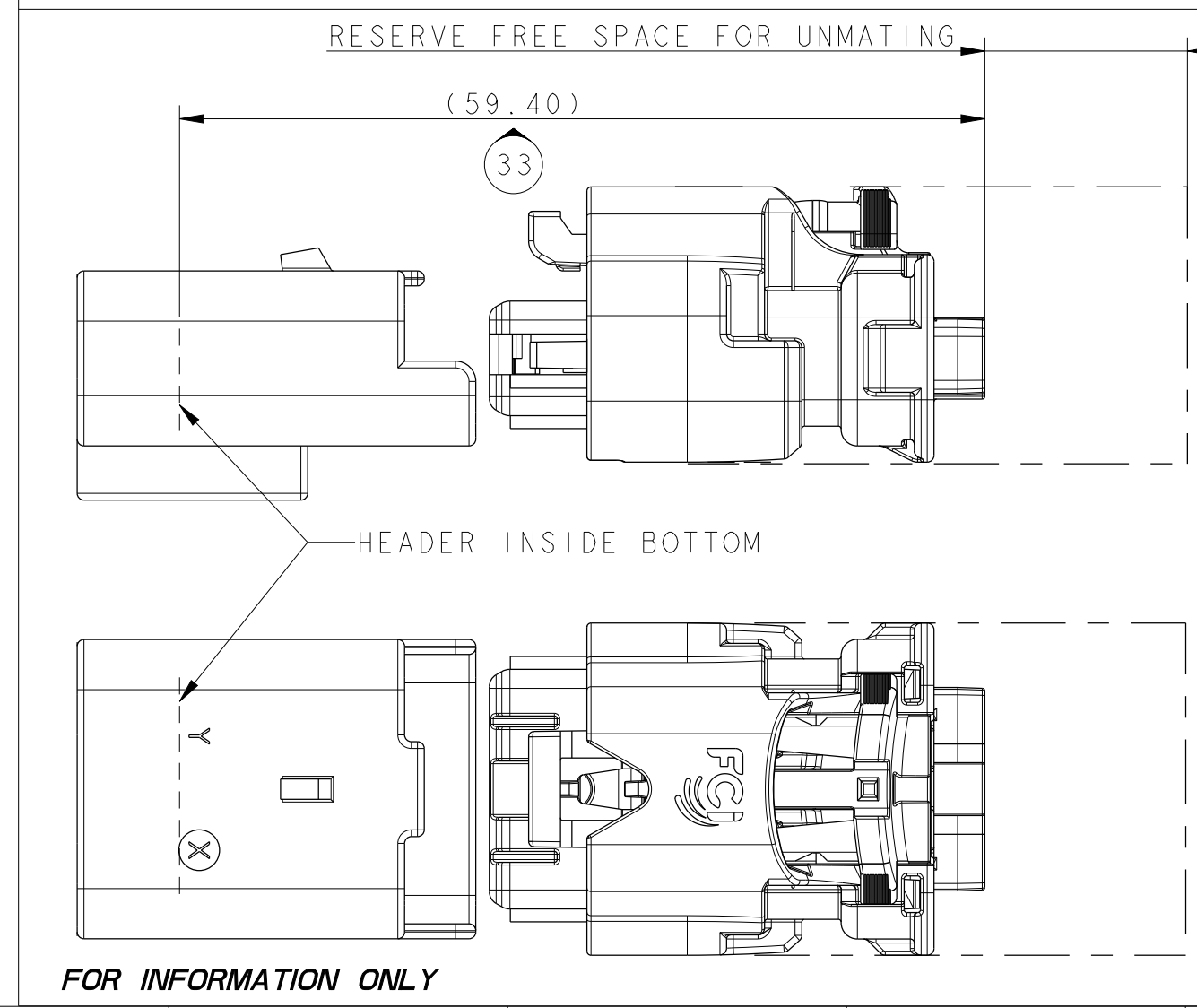


SCALE 1:1

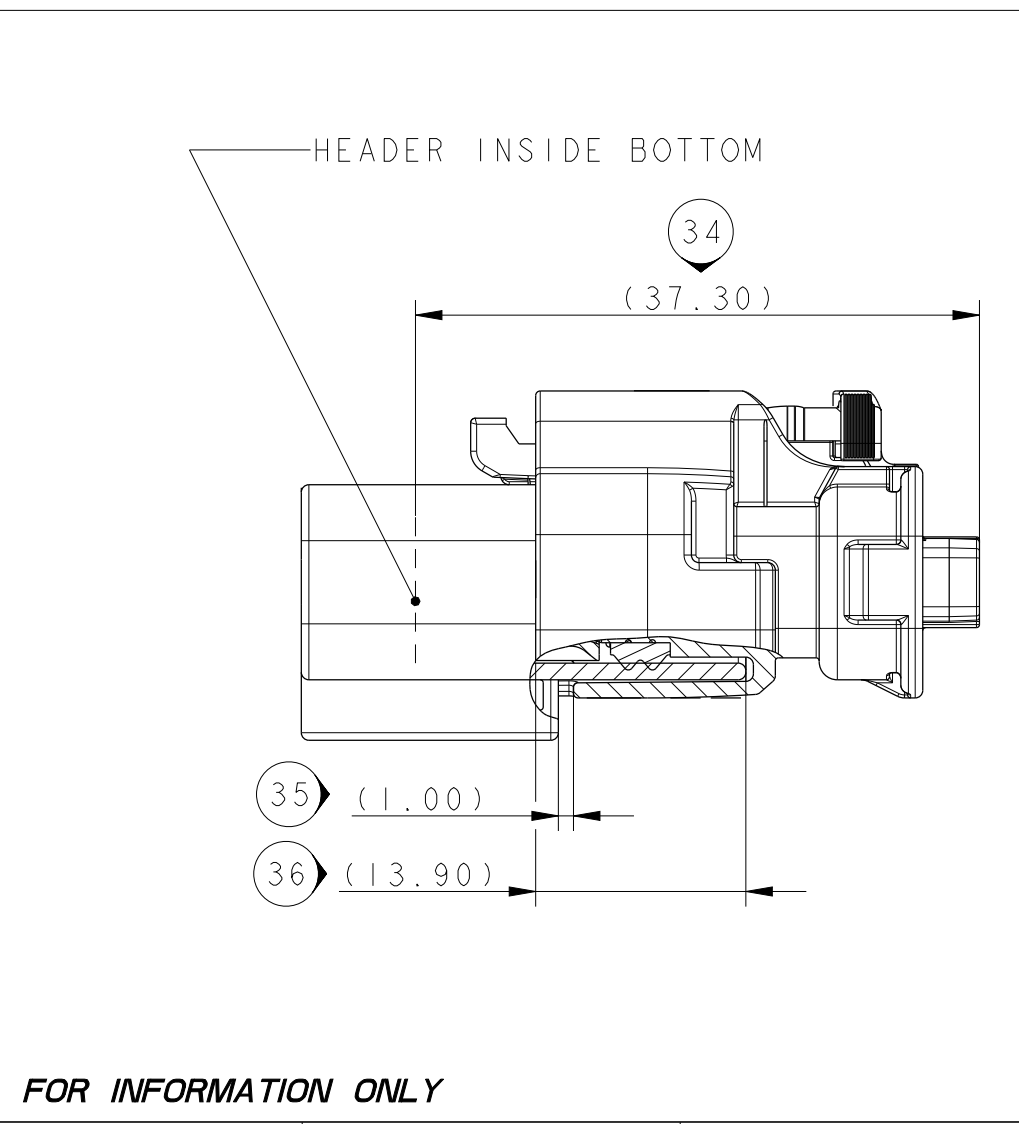
DRAWN BLACK CODING

VIEW F TOLERANCES ±0.05 SCALE 1:1	VIEW F TOLERANCES ±0.05 SCALE 1:1	VIEW F TOLERANCES ±0.05 SCALE 1:1	COLOUR CODING	PART NUMBER	PART REVISION	MVL
RED coding F923700 A 13948561 01	PURPLE coding F033700 A 33511728 01					
GREY coding F823700 A 13966699 01	BLUE coding F723700 A 13893672 01	BLACK coding F623700 A 13876521 01				

OVERALL DIMENSION TO BE USED FOR MATING/UNMATING



OVERALL DIMENSION MATTED ON HEADER
SEE NOTE 5



OLD REVISIONS
ANCIENS NUMÉROS

ECR-13-363	M 15	UPDATED WEIGHT OF CONNECTOR	
	G 11	DIMENSION 8.45±0.05 BECAME 8.45 +0.05/-0.2	
	LM 6-7	DELPHI REFERENCE ADDED IN THE TABLE	
	E 8-9	NOTE ADDED FOR REAR GRID	
	-	KEYS OF POLARIZATION OF REAR GRID ARE SUPPRESSED	
ECR-NO. NUMÉRO ECR	POSITION	CHANGE DESCRIPTION	MODIFICATION
PROJECT SPEC. SPECIF. PRODUIT	PACKAGING SPEC. SPECIF. EMBALLAGE	APPLICATION SPEC. SPECIF. APPLICATION	COPYRIGHT DELPHI CORPORATION AND/OR ITS AFFILIATES. ALL RIGHTS RESERVED. REVISED THIS DRAWING IS THE PROPERTY OF DELPHI CORPORATION AND CONTAINS DELPHI CONFIDENTIAL INFORMATION. THE REPRODUCTION, DISTRIBUTION AND RELEASE OF THIS DOCUMENT OR ITS CONTENTS WITH DELPHI OR DELPHI'S CONFIDENTIAL INFORMATION IS PROHIBITED WITHOUT EXPRESS AUTHORIZATION. EST PROHIBÉ DE TOUT CONTENIR À TITRE, SAUF AUTORISATION ÉCRITE, EST INTERDIT.
TOLERANCES TOLERANCES	±0.1	±2*	MATERIAL : MATERIE : SEE TABLE
CONTRIBUTOR CONTRIBUTEUR			DELPHI PACKARD ELECTRICAL/ELECTRONIC ARCHITECTURE EPFONN, FRANCE
DO NOT REASURE DRAWING NE PAS REASURE LE CROQUIS	DATE DATE	NAME NOM	TITLE DESIGNATION
CREATED BY CREEÉ PAR	20180209	V CHOCKALINDAM	PROJECT PROJET
APPROVED BY APPR. PAR	20180709	S LACOTE	4-WAY FEMALE CONNECTOR
FILE NAME NOM DE FICHER	PCC0816800		SENSOMATE SICMA 15
			EU08-0210
			NO MODIFICATION ALLOWED OUTSIDE (PAS DE MODIFICATION EN DEHORS)
DRAWING NUMBER REF. PLAN	PCC0816800		
STATE ÉTAT			
PART NUMBER REF. ARTICLE			
REV. IND.			
APPROVAL LEVEL NIV. D'APPROBATION			
pro / eng.			
ENG SIZE FORMAT			
SCALE ÉCHELLE			