
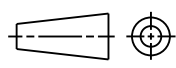


REVISIONS					
P	LTR	DESCRIPTION	DATE	DWN	APVD
	A	First release	21JUN2021	SL	VR



© 2021 TE Connectivity. All Rights Reserved.

1SET411401R0000  
PART NO.

DIMENSIONS: <b>mm</b>		DWN Seguin, Laurene 2021-07-09	MATERIAL -	FINISH -		
TOLERANCES UNLESS OTHERWISE SPECIFIED:		CHK Seguin, Laurene 2021-06-21	 TE Connectivity			
		APVD Villard, Romain 2021-07-06				
0 PLC ±		PRODUCT SPEC -	NAME WD-1-TL-0001			
1 PLC ±1		APPLICATION SPEC -	SIZE	CAGE CODE	DRAWING NO	RESTRICTED TO -
2 PLC ±1			A4	00779	C=1SNP300195-0100	
3 PLC ±1		WEIGHT -	SCALE 1:1			
4 PLC ±1			SHEET 1 OF 1		REV A	
ANGLES ±			CUSTOMER DRAWING			