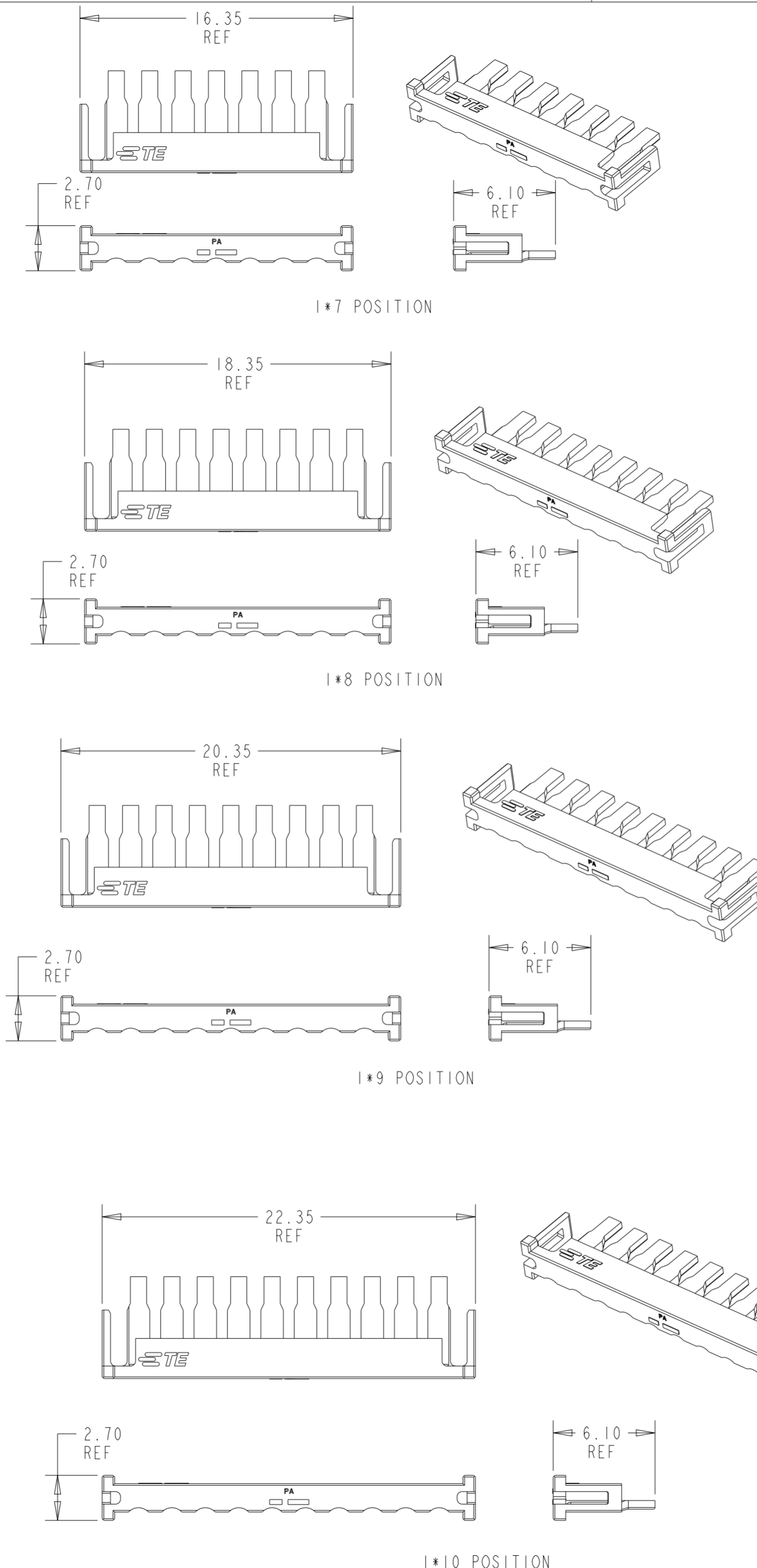
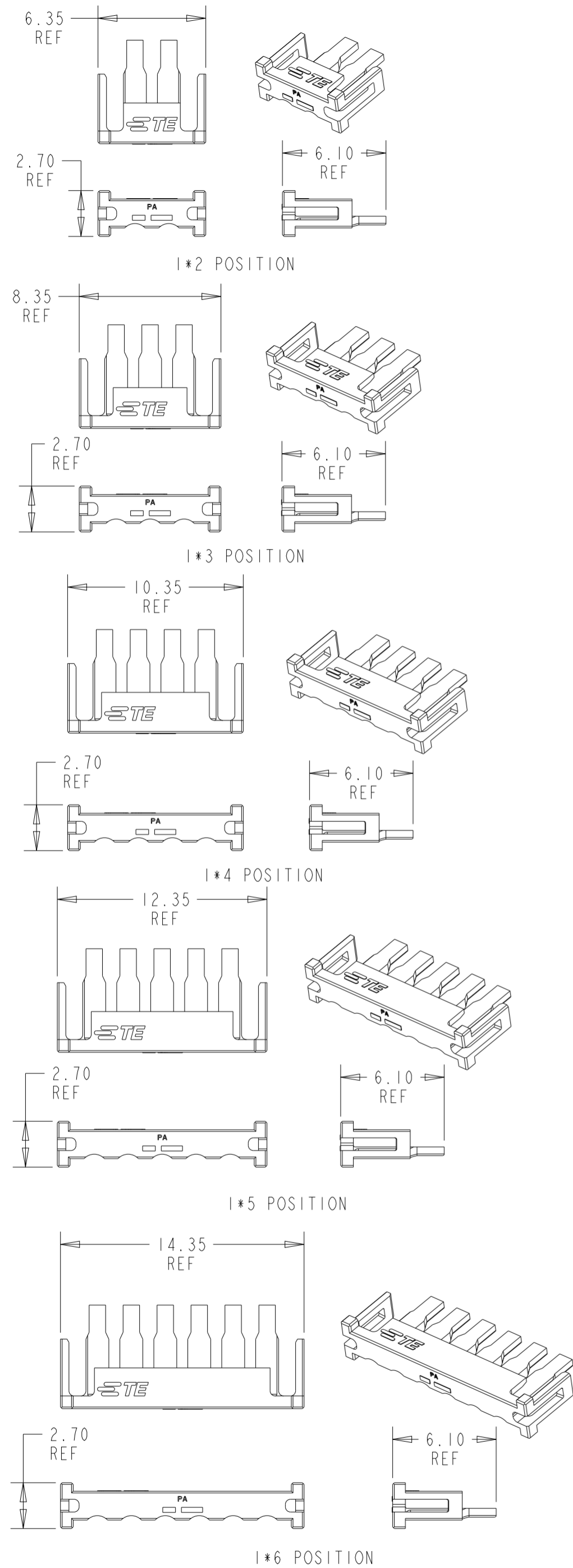


P	LTR	DESCRIPTION	DATE	DWN	APVD
A		RELEASED PER ECO-20-008335	15JUN2020	BKW	SW
AI		RELEASED PER ECR-21-124699	24JAN2022	PJ	DZ



- 1. MATERIAL: PA
COLOR - BLACK
- 2. MATING CONNECTOR P/N'S:
PLUG HSG - *-2232826-*
- 3. COUNTERPART: 2350224

1*10	1-2357686-0
1*9	2357686-9
1*8	2357686-8
1*7	2357686-7
1*6	2357686-6
1*5	2357686-5
1*4	2357686-4
1*3	2357686-3
1*2	2357686-2
POSITIONS	PART NUMBER

THIS DRAWING IS A CONTROLLED DOCUMENT.		DWN B. WEAVER 20 JUN 2019	TE Connectivity															
DIMENSIONS: mm		CHK C. YI 20 JUN 2019																
TOLERANCES UNLESS OTHERWISE SPECIFIED:		APVD T. BENCHOFF 20 JUN 2019	NAME TPA, SGI 2.0															
<table border="1"> <tr> <td>0 PLC</td> <td>±</td> </tr> <tr> <td>1 PLC</td> <td>±</td> </tr> <tr> <td>2 PLC</td> <td>±</td> </tr> <tr> <td>3 PLC</td> <td>±</td> </tr> <tr> <td>4 PLC</td> <td>±</td> </tr> <tr> <td>ANGLES</td> <td>±</td> </tr> <tr> <td>FINISH</td> <td>-</td> </tr> </table>		0 PLC	±	1 PLC	±	2 PLC	±	3 PLC	±	4 PLC	±	ANGLES	±	FINISH	-	PRODUCT SPEC 108-143160	RESTRICTED TO	
0 PLC	±																	
1 PLC	±																	
2 PLC	±																	
3 PLC	±																	
4 PLC	±																	
ANGLES	±																	
FINISH	-																	
MATERIAL		APPLICATION SPEC 114-143160	SIZE A2	CAGE CODE 00779														
		WEIGHT -	DRAWING NO C-2357686	SCALE 4:1														
		CUSTOMER DRAWING	SHEET 1	REV AI														