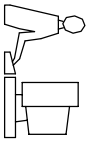
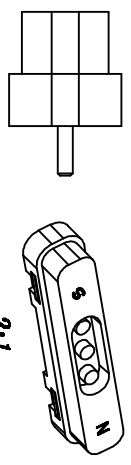
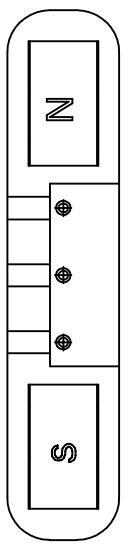
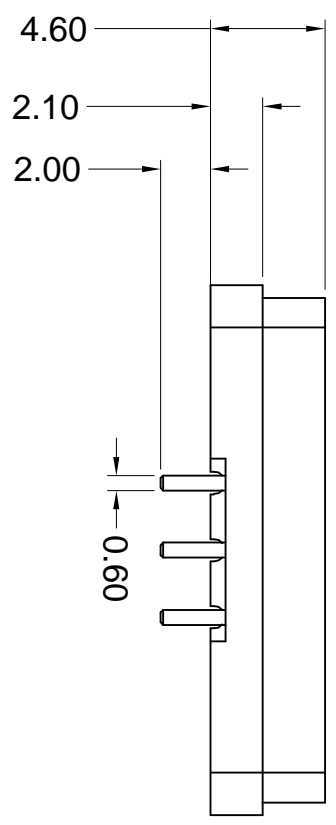
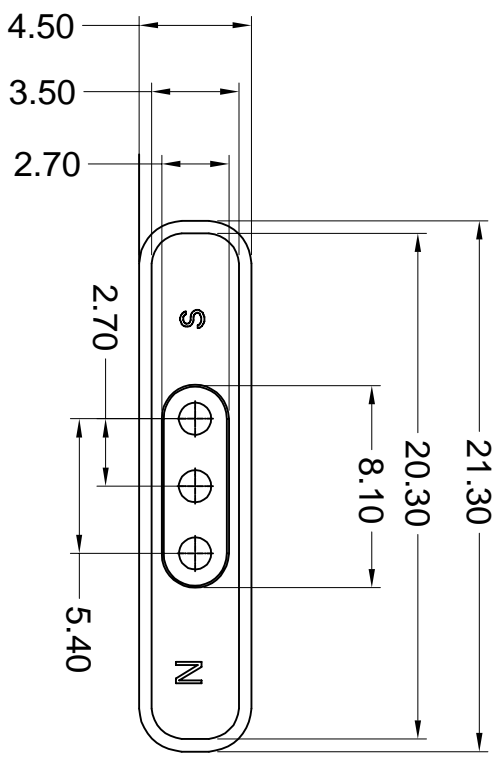


TOLERANCE UNLESS OTHERWISE SPECIFIED	.XX	±0.15
--	-----	-------

THIS IS A C.A.D. GENERATED DRAWING
DO NOT MAKE MANUAL REVISIONS TO MASTER.



ORIGINAL



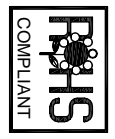
SPECIFICATION:

CONTACT: BRASS
PLATING: GOLD FLASH PLATING ALL OVER
INSULATION: PA46, COLOR BLACK
VOLTAGE RATING: 12V
CURRENT RATING: 2A MAX.
INSULATION RESISTANCE: 100MEGAOHMS MIN.
DIELECTRIC WITHSTANDING VOLTAGE: 100V RMS AT 60HZ
CONTACT RESISTANCE: 30 MOHMS MAX. BEFORE TEST AND 60MOHMS MAX. AFTER TEST
MECHANICAL LIFE: 30000 CYCLES MIN.
OPERATING TEMPERATURE: -30°C~85°C

POGO CONNECTOR, 3POS, FEMALE

ACAD REFERENCE NO.: M00-PG0-203-103	
DRAWN: E.S.	DATE: JUN.1/2022
CHECKED: R.S.M.	DATE: JUN.1/2022
SCALE: (IN C.A.D. 1:1)	SHEET 1 OF 1
DRAWING NUMBER: M00-PG0-203-103	ISSUE
PART NUMBER: M00-PG0-203-103	1

EDRHC
 EDAC INC
 TORONTO, ONTARIO
 CANADA
 YOUR CONNECTION TO QUALITY & SERVICE



THIS SERIES FULLY CONFORMS TO
 THE EUROPEAN UNION DIRECTIVES
 2011/65/EU FOR ROHS COMPLIANCY.