

Specifications

Material

Housing&Slider: LCP, UL94V-0, Black
 Terminal: Phosphor Bronze, T=0.15mm
 Shell: Stainless Steel, T=0.10mm
 Coil Spring: SWP
 Latch: Stainless Steel

Plating

Contact Terminal:
 Under-plating: 80µ" min. Nickel all over
 Contact Area: Gold Flash
 Soldering Area: Gold Flash
 Metallic Shell :
 Under-plating : 50µ" Nickel all over
 Soldering Area : Gold Flash
 Coil Spring&Latch: Clear

Electrical

Voltage Rating: 12V AC/DC max.
 Current Rating: 0.5A AC/DC max.
 Contact Resistance: 100mΩ max.
 Insulating Resistance: 1000MΩ min. at 500V DC
 Dielectric Withstand Voltage: 500V AC

Mechanical & Environmental

Durability: 5000 Cycles
 Operating Temperature: -25°C to +60°C

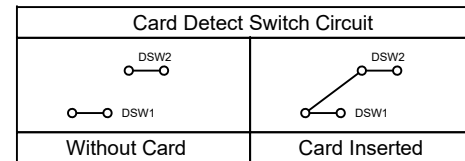
Ordering Grid

MEM2080-00-128-00-A Request Samples and Quotation

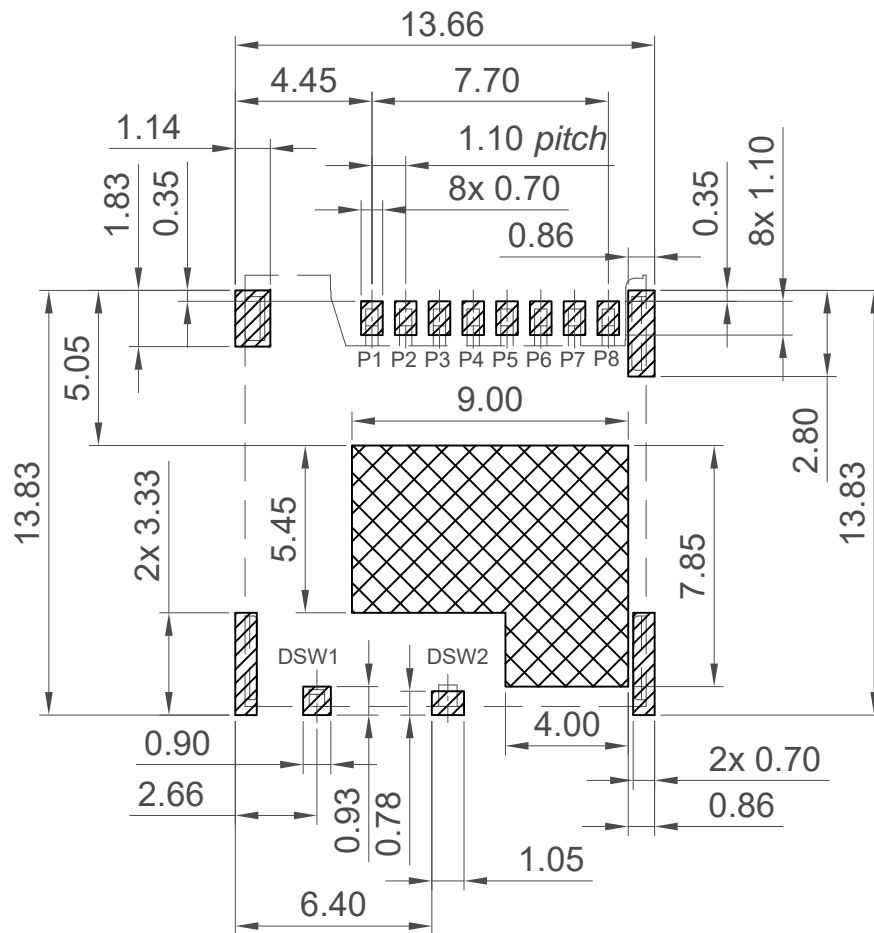
Switch
 00 = Normally Open

Locating Post
 00 = Without

Packing Options
 A = Tape & Reel



Part Number MEM2080		Product Description Micro SD Memory Card Connector Push-Push, SMT, 1.28mm Profile	
Drawing Date 13th December 2021			
By CC	Detail Drawing Release	Tolerances (Except as Noted) Length X.X ±0.35 X.XX ±0.20 X.XXX ±0.15	Units: Metric (mm)
Revision A	Date 28/06/22	±2°	
			This drawing is confidential and copyright of Global Connector Technology, Ltd (GCT). This drawing must not be copied or disclosed without written consent. E & OE
Not to Scale	Drawn By CC	Sheet No. 1/3	www.gct.co



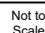
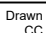
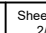


Pin Assignment		
Pin	Name	Description
P1	DAT2	Data Bit 2
P2	CD/DAT3	Card Detect/Data Bit 3
P3	CMD	Command Line
P4	V _{DD}	Supply Voltage
P5	CLK	Clock
P6	V _{SS}	Ground
P7	DAT0	Data Bit 0
P8	DAT1	Data Bit 1
DSW1	Lever Pin	Detected Lever (V _{SS} : GND)
DSW2	Switch Pin	Detected Switch

Recommended PCB Layout

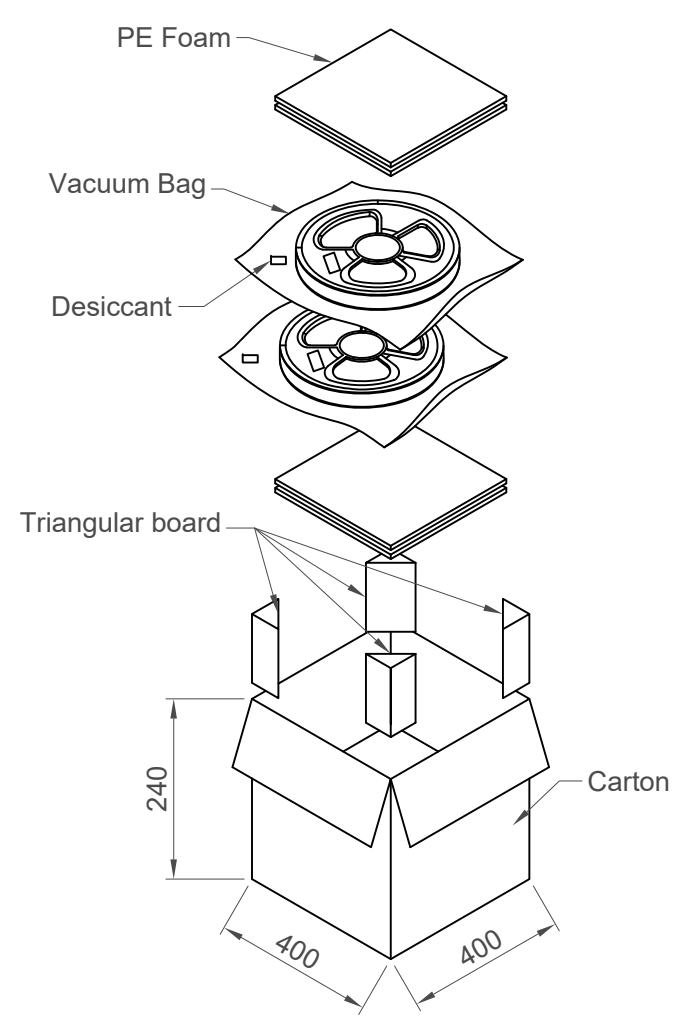
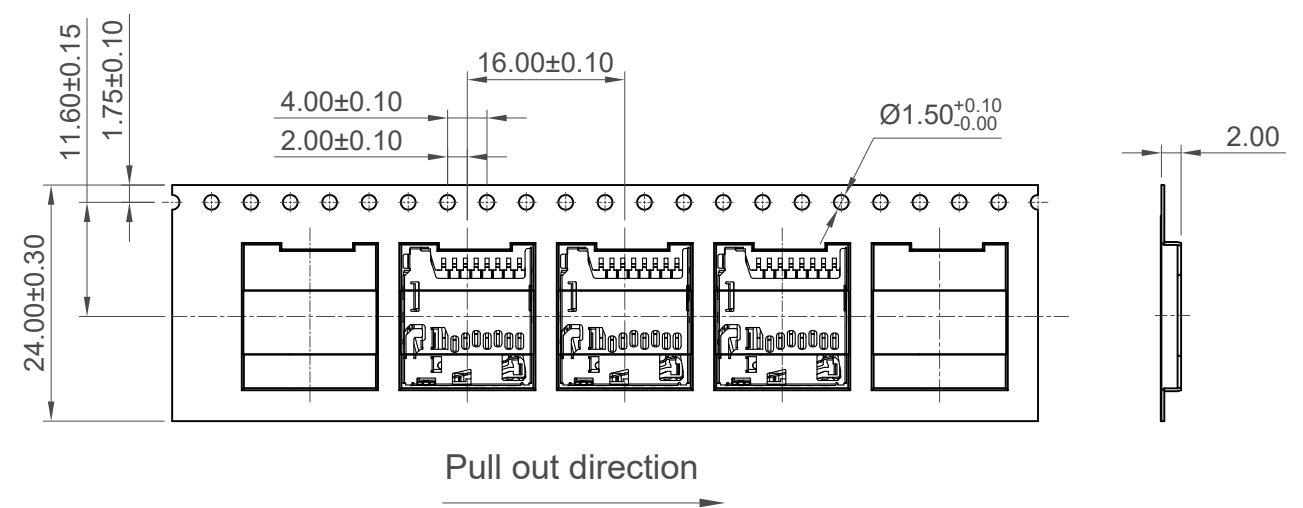
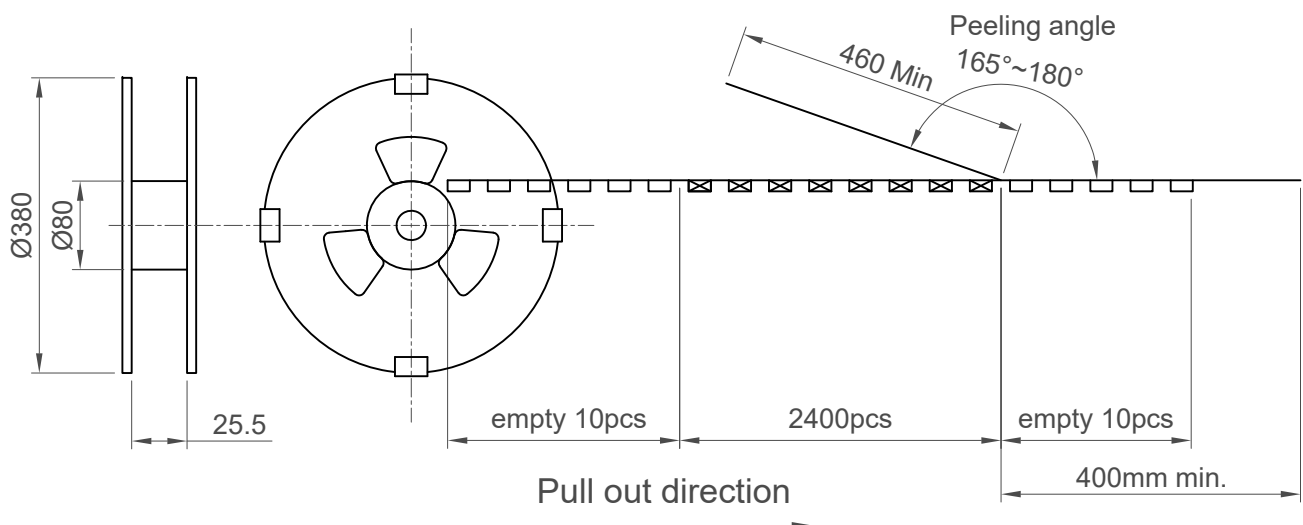
As viewed from component side General Tolerance: ± 0.05

 Solder Area
  Keep Out Area
  Component Outline

Part Number		Product Description	
MEM2080		Micro SD Memory Card Connector	
Drawing Date		Push-Push, SMT, 1.28mm Profile	
13th December 2021			
By	CC	Tolerances (Except as Noted)	Units:
Detail	Drawing Release	Length	Metric (mm)
Revision	A	X.X ± 0.35	 
Date	28/06/22	X.XX ± 0.20	
		X.XXX ± 0.15	Angle
			$\pm 2^\circ$
		  	
		Not to Scale Drawn By Sheet No. Scale CC 2/3	



H
G
F
E
D
C
B
A



Pcs/Reel	Reels/Carton	Pcs/Carton
2400	7	16800

Part Number		Product Description			This drawing is confidential and copyright of Global Connector Technology, Ltd (GCT). This drawing must not be copied or disclosed without written consent. E & OE
MEM2080		Micro SD Memory Card Connector			
Drawing Date		Push-Push, SMT, 1.28mm Profile			
13th December 2021					
By	CC	Tolerances (Except as Noted)		Units:	
Detail	Drawing Release	Length	Angle	Metric (mm)	
Revision	A	-	-		
Date	28/06/22				
				GCT www.gct.co	
				Not to Scale Drawn By CC Sheet No. 3/3	

1 2 3 4 5 6 7 8