

# Customer Information Sheet

DRAWING No.: KAI-301XX98M5

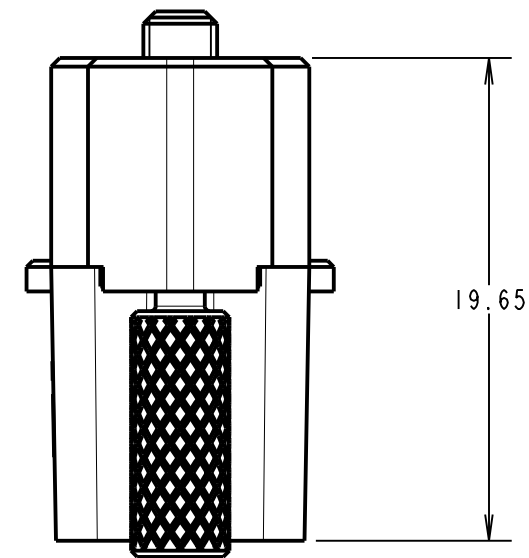
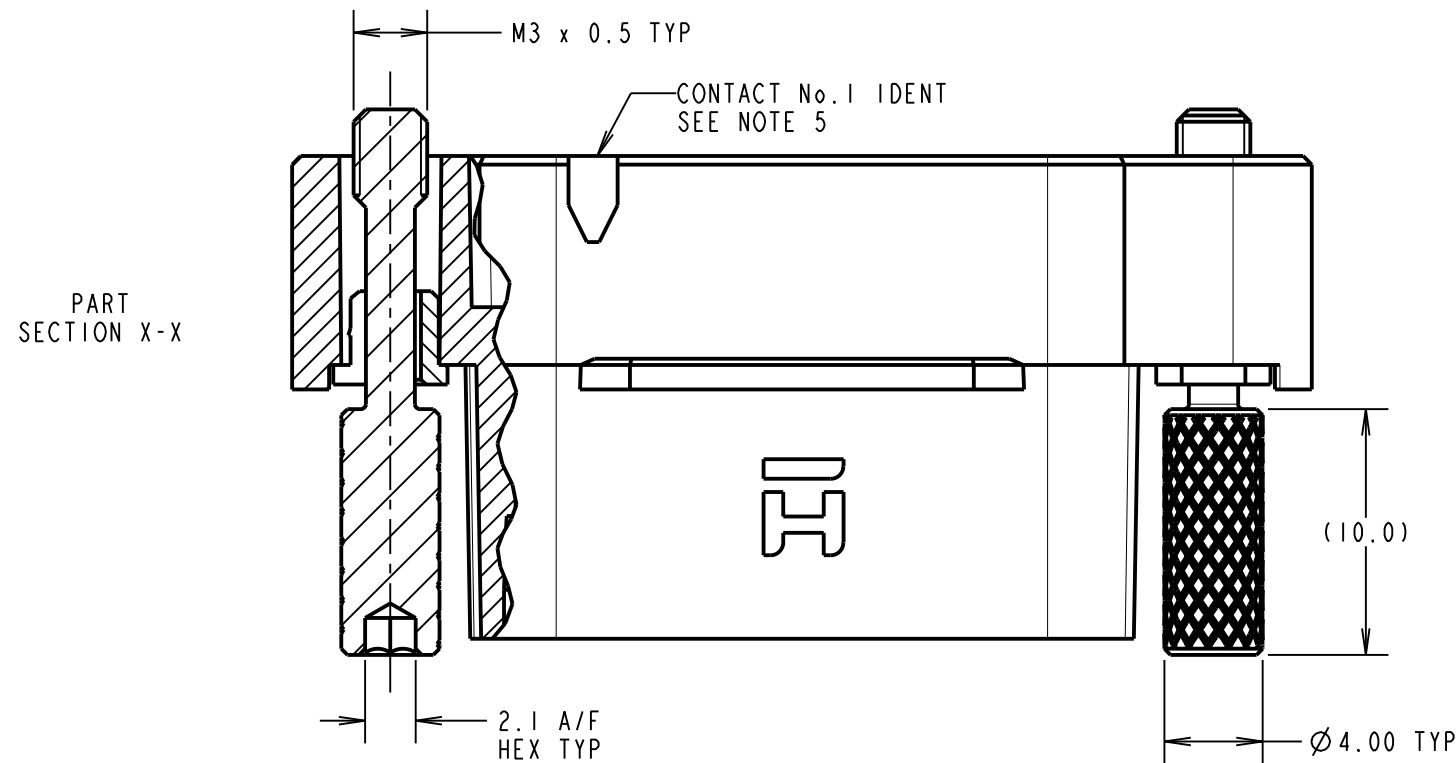
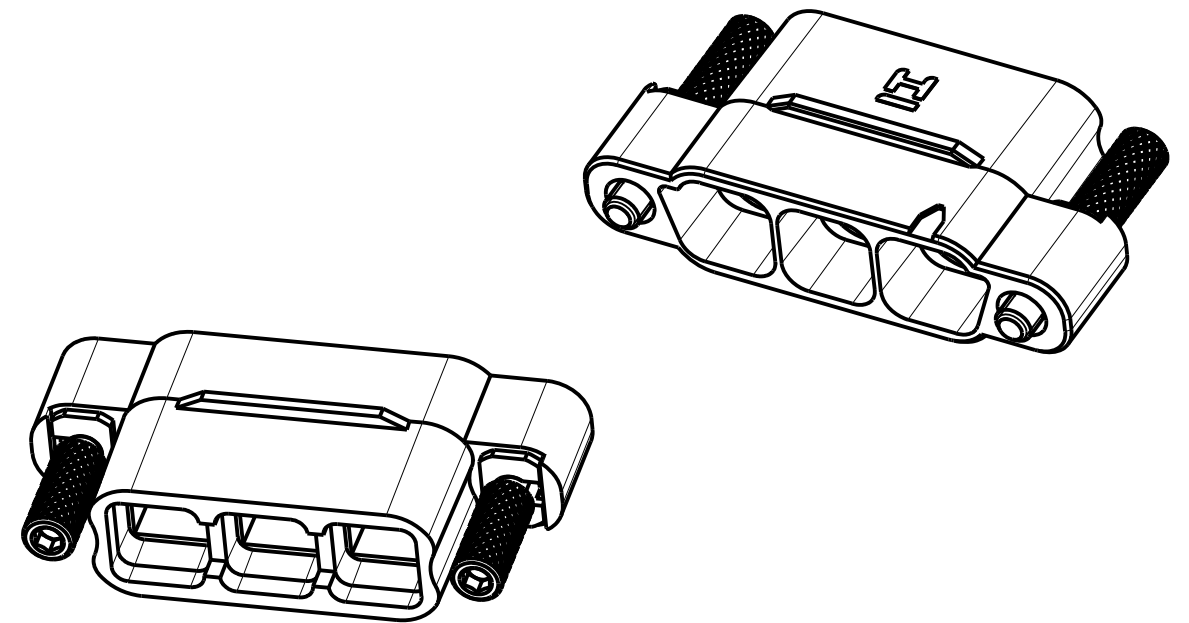
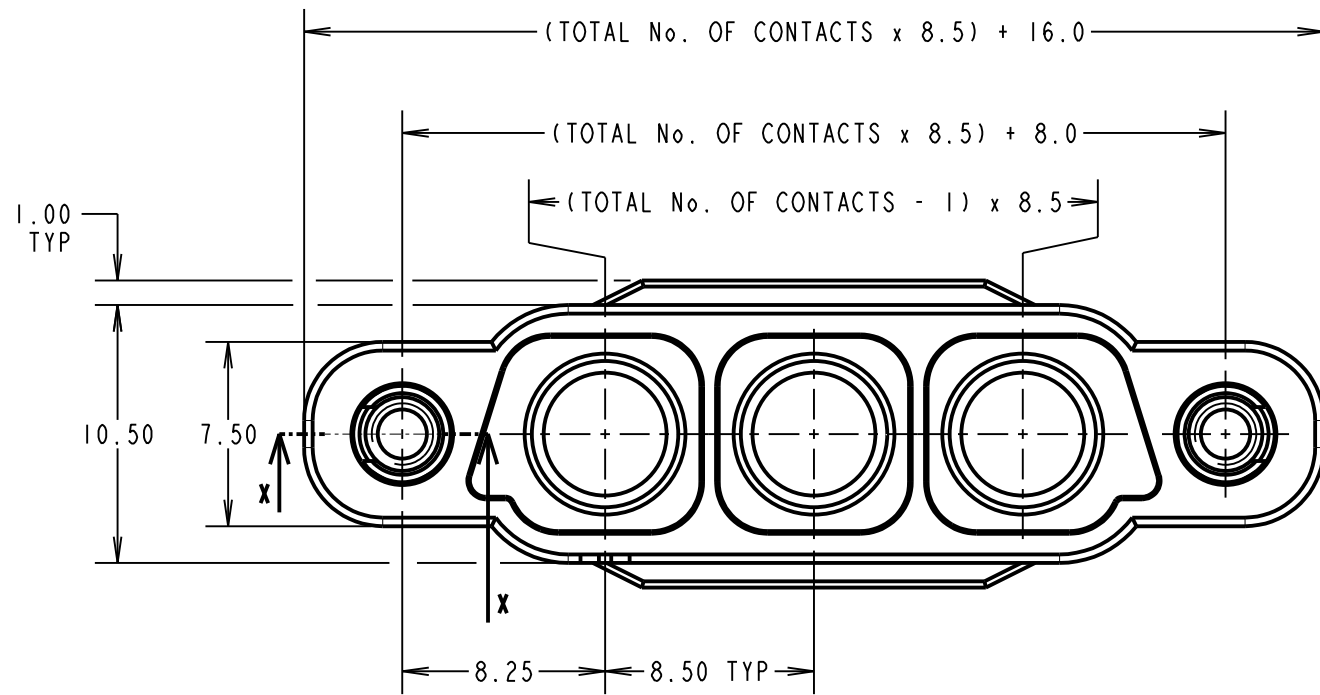
IF IN DOUBT - ASK

©

NOT TO SCALE

THIRD ANGLE PROJECTION

ALL DIMENSIONS IN mm



**NOTES:**

1. MOULDING TO BE USED WITH KAI-1410005 SOLDER CUP CONTACTS.
2. FOR ASSEMBLY INSTRUCTIONS SEE INSTRUCTION SHEET IS-49.
3. FOR MATERIALS AND SPECIFICATIONS SEE COMPONENT SPECIFICATION C052XX (LATEST ISSUE).
4. DRAWING SHOWS HOUSING WITH 3 CONTACT POSITIONS.
5. CONTACT No. 1 IDENT MAY VISUALLY DIFFER FROM THE IDENT SHOWN ON DRAWING.

MR	1	09.08.22	31804
NAME	ISS.	DATE	CN/CO
APPROVED: M.RUDKIN			
CHECKED: R.PORTLOCK			
DRAWN: M.RUDKIN			
CUSTOMER REF.:			
ASSEMBLY DRG:			

ORDER CODE:  
**KAI-301XX98M5**  
TOTAL No. OF CONTACTS: 02, 03, 04

**HARWIN**

www.harwin.com  
technical@harwin.com

THIS DRAWING AND ANY INFORMATION OR DESCRIPTIVE MATTER SET OUT HEREON ARE CONFIDENTIAL AND COPYRIGHT PROPERTY OF THE HARWIN GROUP AND MUST NOT BE DISCLOSED, LOANED, COPIED OR USED FOR MANUFACTURING, TENDERING OR FOR ANY OTHER PURPOSE WITHOUT THEIR WRITTEN PERMISSION.

**TOLERANCES**  
X. = ±1mm  
X.X = ±0.50mm  
X.XX = ±0.20mm  
X.XXX = ±0.01mm  
**ANGLES = ±5°**  
**UNLESS STATED**

**MATERIAL:**  
SEE ABOVE  
**FINISH:** SEE ABOVE  
**S/AREA:** mm<sup>2</sup>

**TITLE:**  
KONA SERIES - MALE  
CABLE THUMBSCREW HOUSING  
**DRAWING NUMBER:**  
**KAI-301XX98M5**  
SHT 3 OF 3