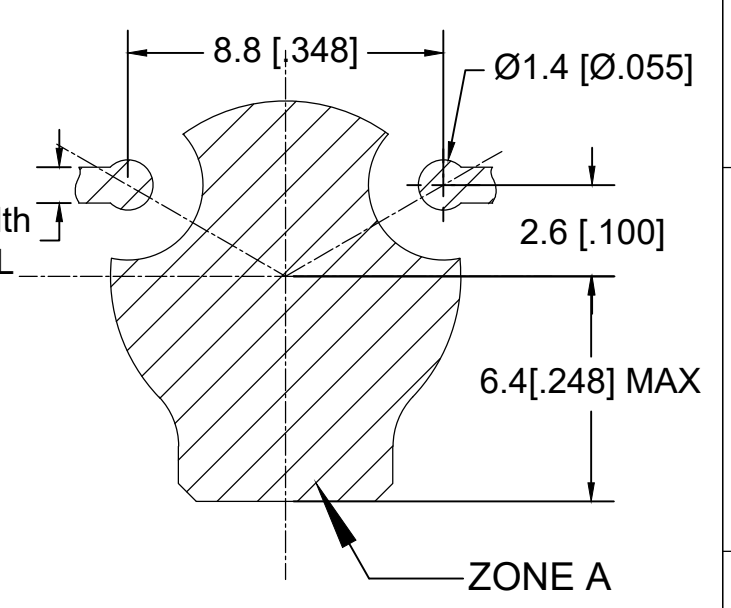
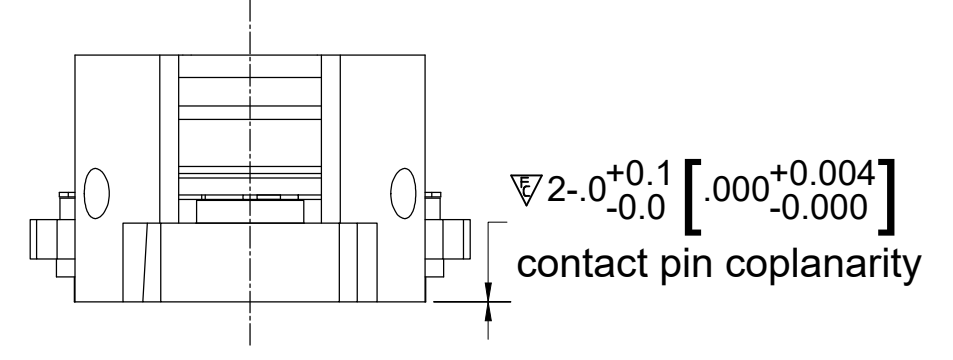


RECOMMENDED LAND PATTERN :
 Zone A must be attached to heat sink. Thermal conductivity of intermediate layers between Zone A and heat sink must be better than 0.1 W / [°C x mm].



PCB Material :Rogers RO4350B,0.508mm thickness
 trace width 1.07mm wide.



ELECTRICAL SPECIFICATIONS :

Frequency Range	: 3400~3800 MHz
Insertion Loss	: 0.30 dB Max
Isolation	: 20 dB Min
Return Loss(Input/Output)	: 20 dB Min
Peak Power Handling	: 30 W
Power Handling Average	: 20W
Max Reflected Power	: 4W
FWD IMD3 (2x5W)	: -60 dBc Max
Operating Temperature	: -40°C to +105°C
Direction	: CCW

MATERIAL :
 BODY : STEEL, SILVER PLATED
 PIN : COPPER , SILVER PLATED
NOTES :

- 1.STANDARD INPUT/OUTPUT IMPEDANCE 50 Ohm
- 2.LEAD FREE, NO Nd MATERIAL, BeO FREE
- 3.THE DIMENSION OF DATA MATRIX IS 3.0X3.0MM INFORMATION INCLUDING WORK ORDER NUMBER-SERIAL NUMBER-MATERIAL NUMBER
- 4.THIS PART COMPLIES WITH ALL RoHS REQUIREMENTS

ENG PART#: 811-340-380-VT040

FUNCTIONAL SYMBOLS	THIS DRAWING CONTAINS INFORMATION THAT IS PROPRIETARY TO MOLEX ELECTRONIC TECHNOLOGIES, LLC AND SHOULD NOT BE USED WITHOUT WRITTEN PERMISSION		CURRENT REV DESC:		molex
	DIMENSION UNITS	SCALE	CHANGE ECTR RESTRICTED ***		
▽FA=0	MM	1:1			SMSJ ISOLATOR/3400~3800MHZ/CCW
▽E=0	GENERAL TOLERANCES (UNLESS SPECIFIED)				
▽EP=0					PRODUCT CUSTOMER DRAWING
DIVISIONAL SYMBOLS					
					DOCUMENT NUMBER
					735912039
					PSD 000 A1
					SHEET NUMBER
					1 OF 1