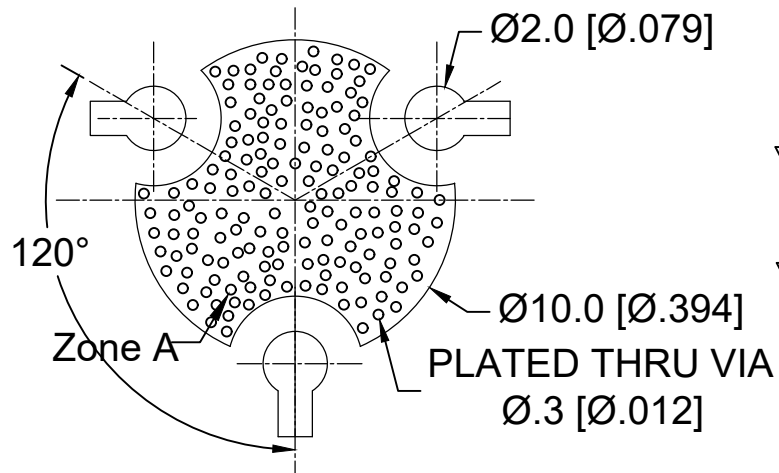
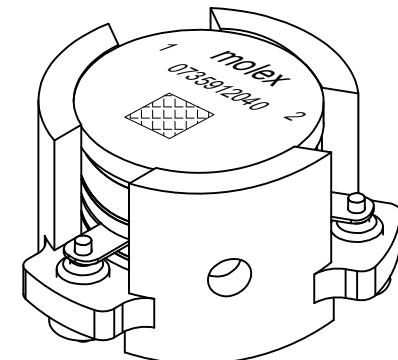
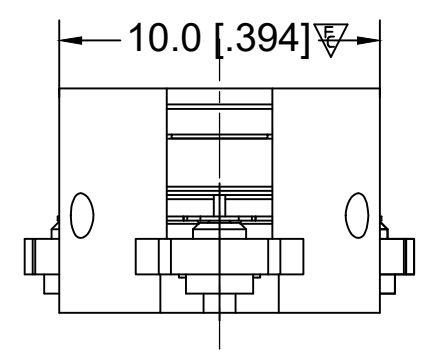
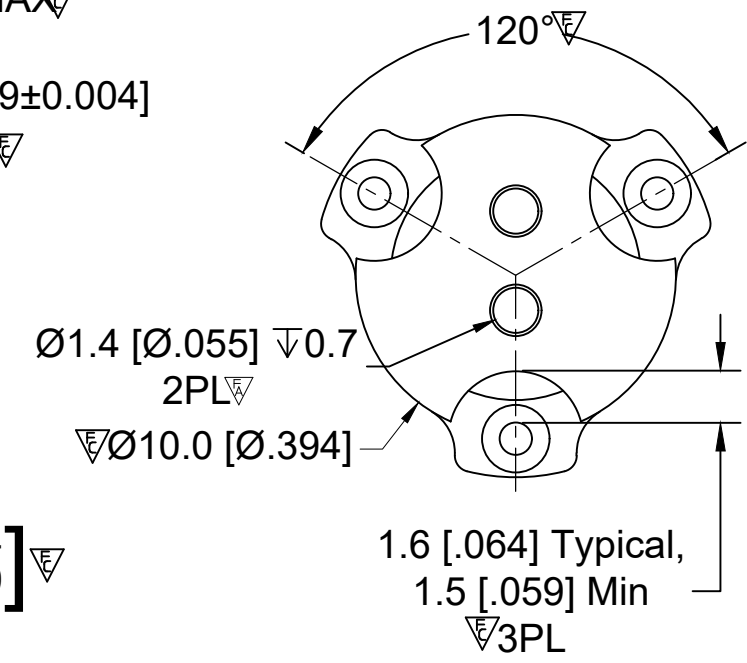
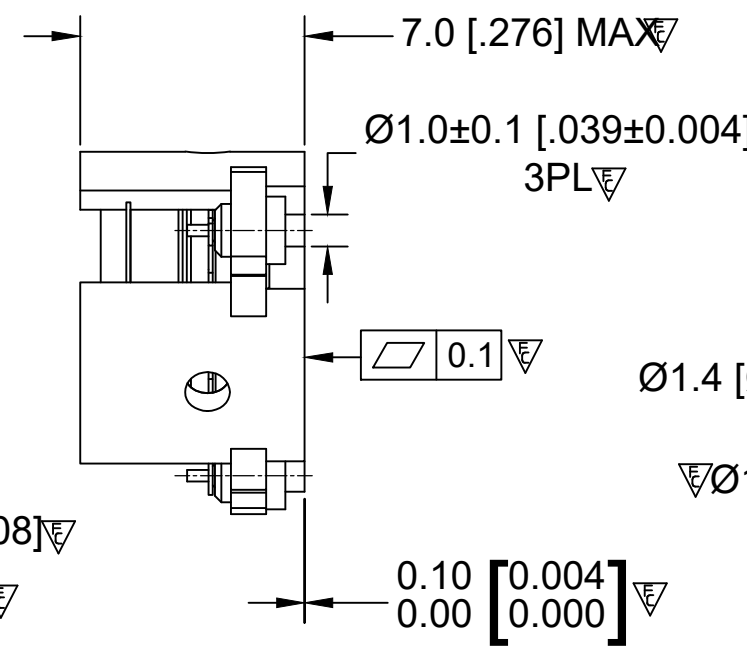
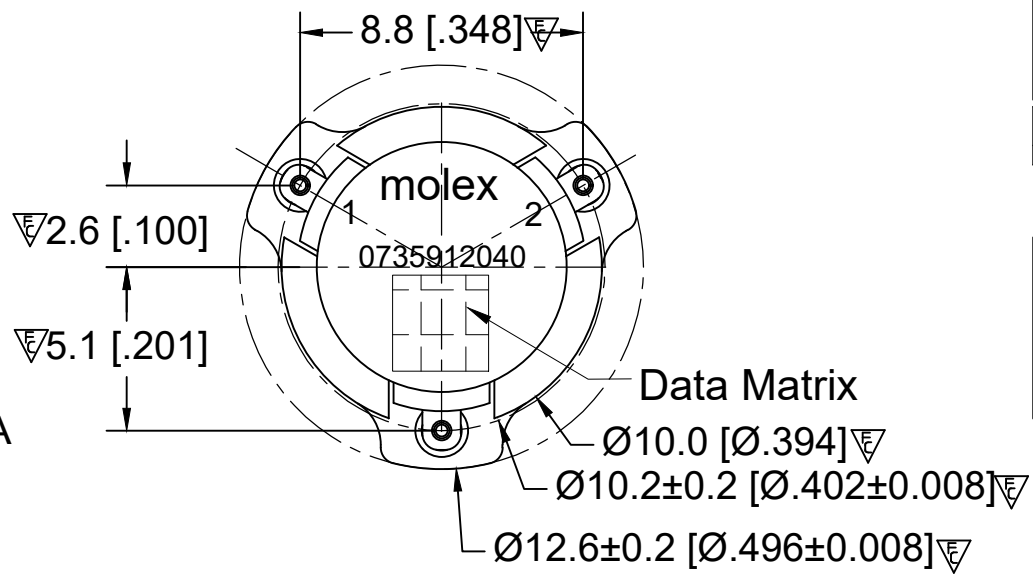


RECOMMENDED LAND PATTERN :

Zone A must be attached to heat sink. Thermal conductivity of intermediate layers between Zone A and heat sink must be better than 0.1 W / [°C x mm].



PCB Material :Rogers RO4350B,0.508mm thickness
trace width 1.07mm wide.



BODY: CARBON STEEL, SILVER PLATED
RIGID PINS: COPPER, SILVER PLATED
NOTES:

- 1.STANDARD INPUT/OUTPUT IMPEDANCE 50 Ohm
- 2.LEAD FREE, NO Nd MATERIAL, BeO FREE
- 3.THE DIMENSION OF DATE MATRIX IS 3X3MM INFORMATION INCLUDING WORK ORDER NUMBER-SERIAL NUMBER-MATERIAL NUMBER
- 4.THIS PART COMPLIES WITH ALL RoHS REQUIREMENTS

ELECTRICAL SPECIFICATIONS :

Frequency Range : 3400~3800 MHz
 Insertion Loss : 0.30 dB max
 Isolation : 20 dB Min
 Return Loss : 20 dB min
 Power : 20W
 Peak Power : 150W
 FWD IMD3 (2x5W) : -60 dBc Max
 Operating Temperature : -40°C to +105°C
 Direction : CW

ENG PART#:802-340-380-VP040

FUNCTIONAL SYMBOLS	THIS DRAWING CONTAINS INFORMATION THAT IS PROPRIETARY TO MOLEX ELECTRONIC TECHNOLOGIES, LLC AND SHOULD NOT BE USED WITHOUT WRITTEN PERMISSION									
	DIMENSION UNITS		SCALE		CURRENT REV DESC:					
▽ _A =0	MM		1:1		CHANGE ECTR RESTRICTED ***					
▽ _E =0	GENERAL TOLERANCES (UNLESS SPECIFIED)									
▽ _P =0			mm		INCH					
DIVISIONAL SYMBOLS	4 PLACES		±0.005	±----	EC NO: 702316					
	3 PLACES		±0.025	±----	DRWN: SREN05		2022/04/20			
	2 PLACES		±0.13	±----	CHK'D: WWANG99		2022/04/21			
	1 PLACE		±0.2	±----	APPR: HWANG186		2022/04/22			
	0 PLACES		±0.4	±----	INITIAL REVISION:					
		ANGULAR TOL ± 1.5 °		DRWN: SREN05		2021/11/12				
		DRAFT WHERE APPLICABLE MUST REMAIN WITHIN DIMENSIONS		APPR: HWANG186		2022/03/01				
		THIRD ANGLE PROJECTION		DRAWING		SERIES		MATERIAL NUMBER		CUSTOMER
		A3-SIZE		73591		0735912040		GENERAL MARKET		SHEET NUMBER
										1 OF 1