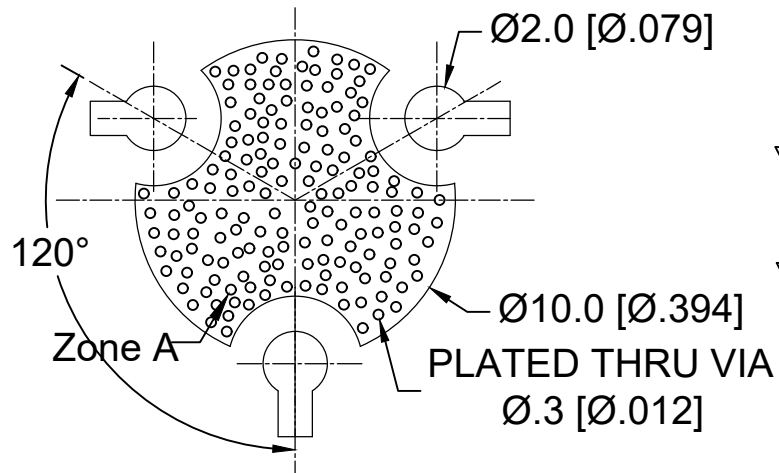
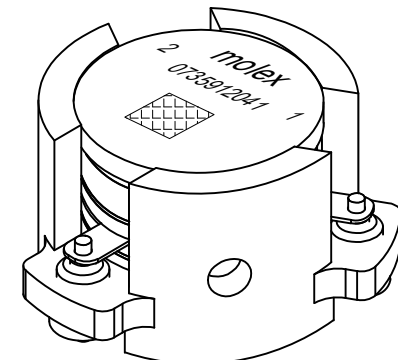
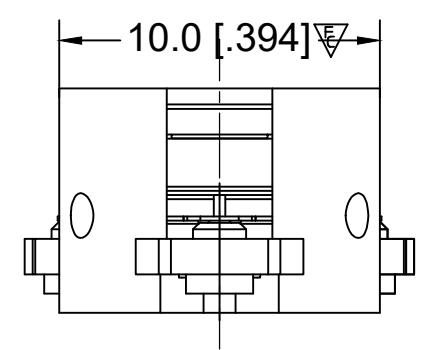
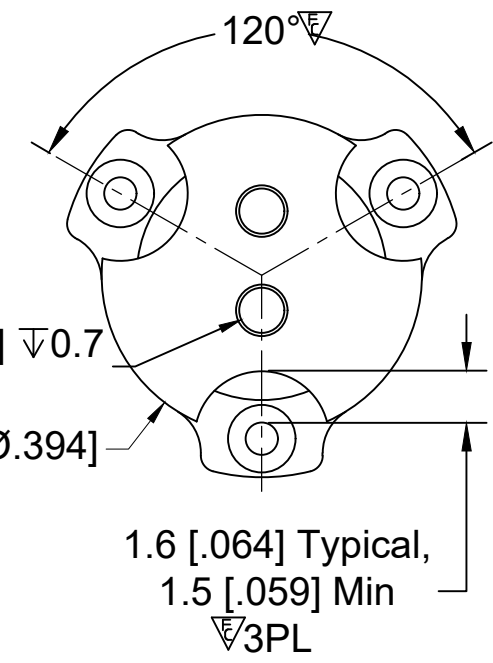
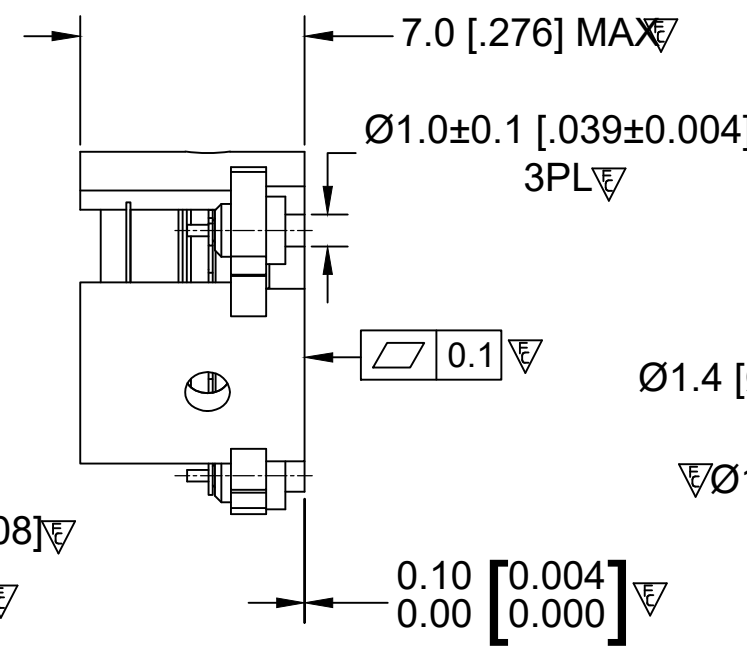
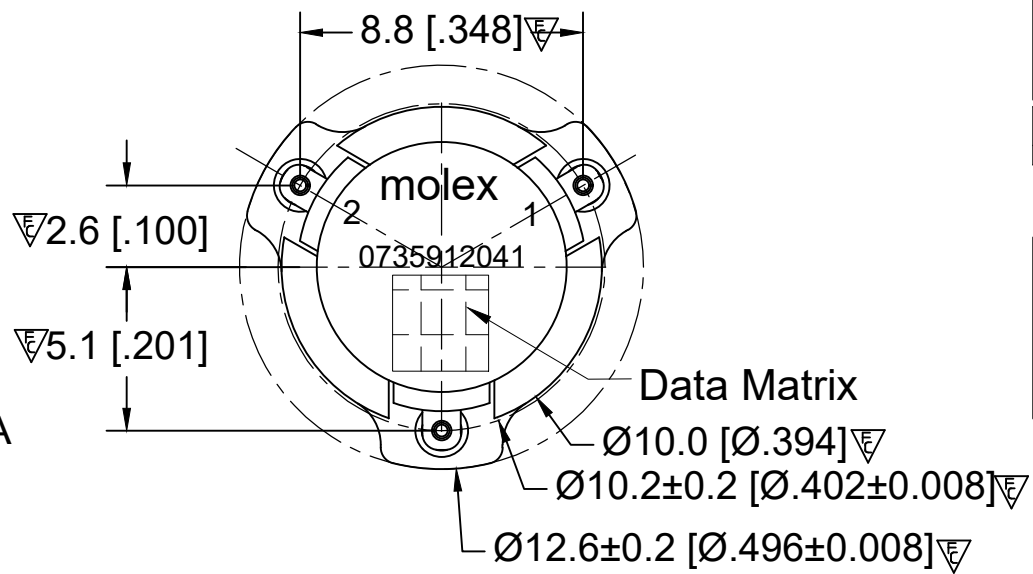


**RECOMMENDED LAND PATTERN :**

Zone A must be attached to heat sink. Thermal conductivity of intermediate layers between Zone A and heat sink must be better than 0.1 W / [°C x mm].



PCB Material :Rogers RO4350B,0.508mm thickness  
trace width 1.07mm wide.



BODY: CARBON STEEL, SILVER PLATED  
RIGID PINS: COPPER, SILVER PLATED

**NOTES:**

- 1.STANDARD INPUT/OUTPUT IMPEDANCE 50 Ohm
- 2.LEAD FREE, NO Nd MATERIAL, BeO FREE
- 3.THE DIMENSION OF DATE MATRIX IS 3X3MM INFORMATION INCLUDING WORK ORDER NUMBER-SERIAL NUMBER-MATERIAL NUMBER
- 4.THIS PART COMPLIES WITH ALL RoHS REQUIREMENTS

**ELECTRICAL SPECIFICATIONS :**

- Frequency Range : 3400~3800 MHz
- Insertion Loss : 0.30 dB max
- Isolation : 20 dB Min
- Return Loss : 20 dB min
- Power : 20W
- Peak Power : 150W
- FWD IMD3 (2x5W) : -60 dBc Max
- Operating Temperature : -40°C to +105°C
- Direction : CCW

**ENG PART#:812-340-380-VP040**

THIS DRAWING CONTAINS INFORMATION THAT IS PROPRIETARY TO MOLEX ELECTRONIC TECHNOLOGIES, LLC AND SHOULD NOT BE USED WITHOUT WRITTEN PERMISSION									
FUNCTIONAL SYMBOLS	DIMENSION UNITS	SCALE	CURRENT REV DESC:						
$F_A=0$	MM	1:1	CHANGE ECTR RESTRICTED ***						
$F_E=0$	GENERAL TOLERANCES (UNLESS SPECIFIED)		EC NO: 702316						
$F_P=0$	mm INCH		DRWN: SREN05 2022/04/20						
DIVISIONAL SYMBOLS	4 PLACES	±0.005 ±----	CHK'D: WWANG99 2022/04/21						
	3 PLACES	±0.025 ±----	APPR: HWANG186 2022/04/22						
	2 PLACES	±0.13 ±----	INITIAL REVISION:						
	1 PLACE	±0.2 ±----	DRWN: SREN05 2021/11/15						
	0 PLACES	±0.4 ±----	APPR: HWANG186 2022/03/01						
	ANGULAR TOL ± 1.5 °		DOCUMENT NUMBER						
	DRAFT WHERE APPLICABLE MUST REMAIN WITHIN DIMENSIONS		THIRD ANGLE PROJECTION		DRAWING	SERIES	MATERIAL NUMBER	CUSTOMER	SHEET NUMBER
			A3-SIZE		73591	0735912041	GENERAL MARKET	1 OF 1	