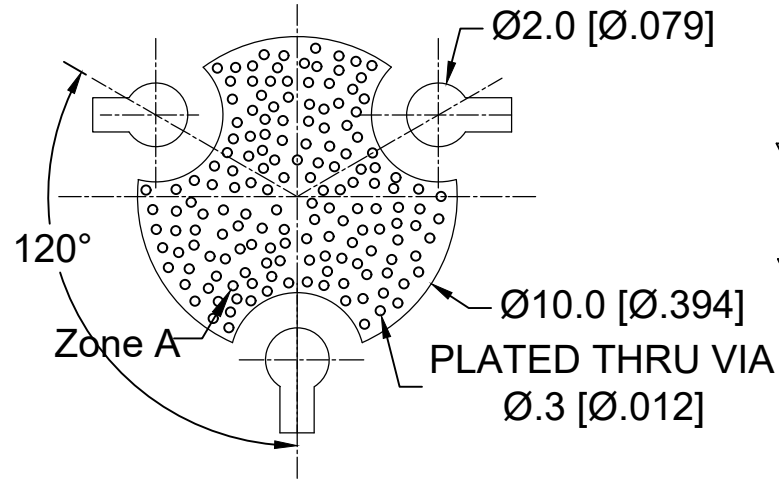
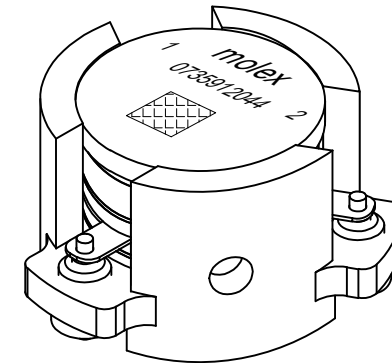
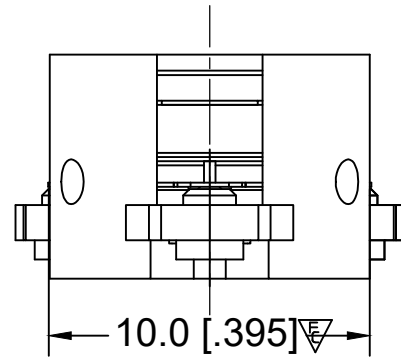
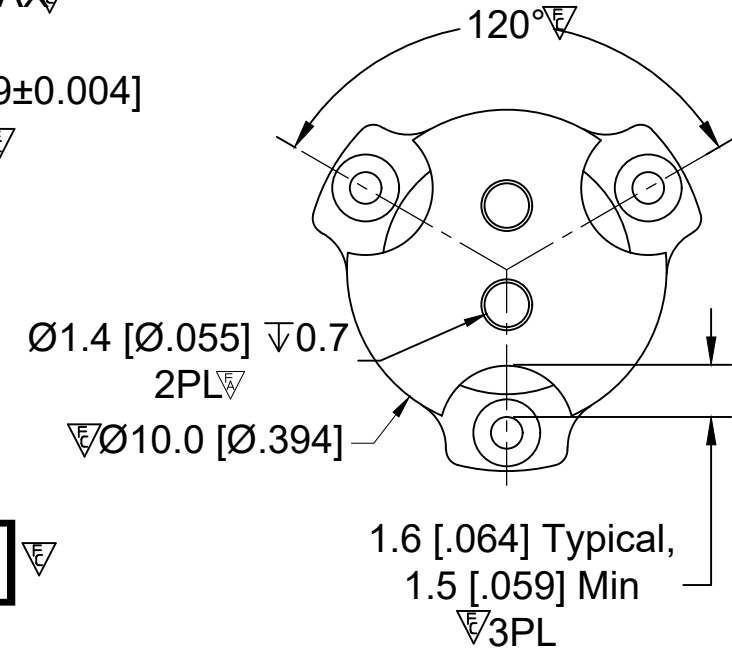
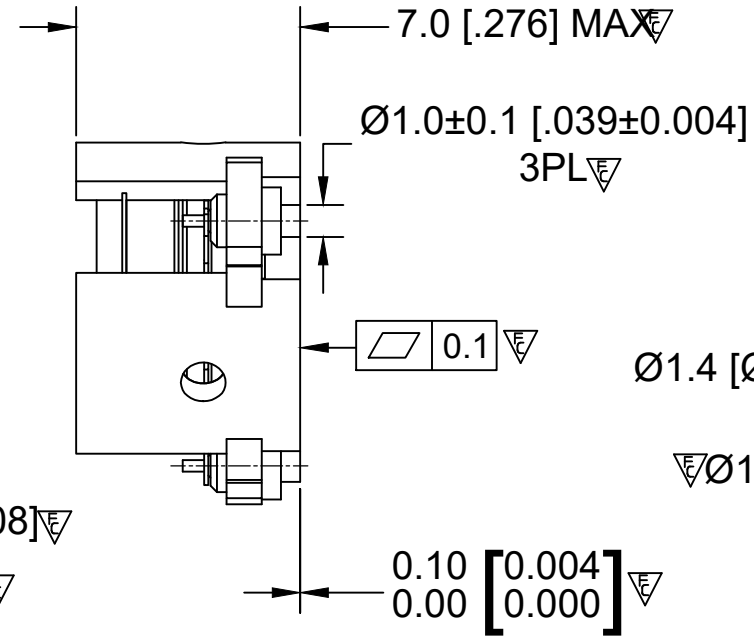
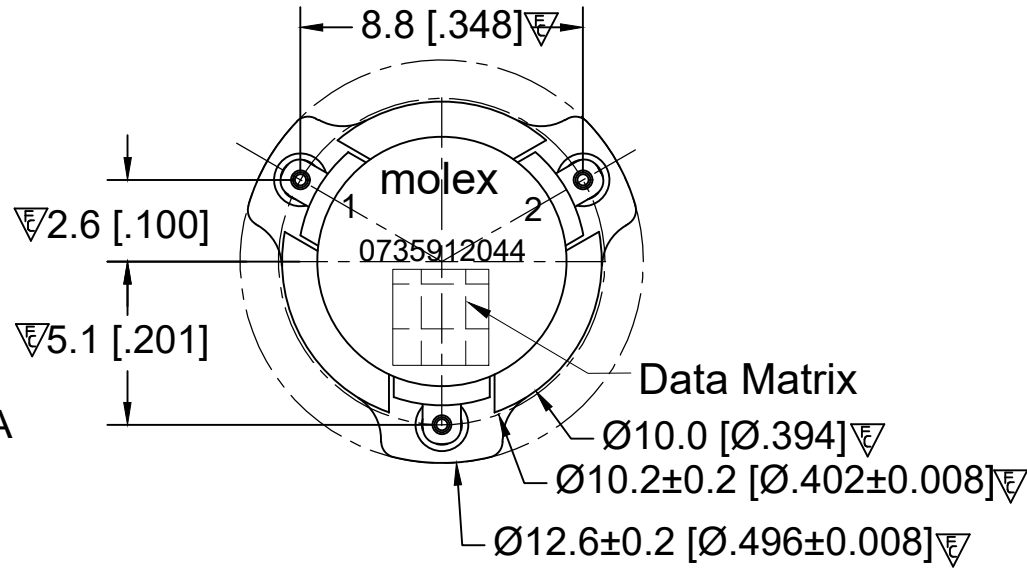


RECOMMENDED LAND PATTERN :

Zone A must be attached to heat sink. Thermal conductivity of intermediate layers between Zone A and heat sink must be better than 0.1 W / [°C x mm].



PCB Material :Rogers RO4350B,0.508mm thickness
trace width 1.07mm wide.



BODY: CARBON STEEL, SILVER PLATED
RIGID PINS: COPPER, SILVER PLATED

NOTES:

- 1.STANDARD INPUT/OUTPUT IMPEDANCE 50 Ohm
- 2.LEAD FREE, NO Nd MATERIAL, BeO FREE
- 3.THE DIMENSION OF DATE MATRIX IS 3X3MM INFORMATION INCLUDING WORK ORDER NUMBER-SERIAL NUMBER-MATERIAL NUMBER
- 4.THIS PART COMPLIES WITH ALL RoHS REQUIREMENTS

ELECTRICAL SPECIFICATION :

Frequency Range : 3400~3600 MHz
Insertion Loss : 0.35 dB max
Isolation : 20 dB min
Return Loss : 20 dB min
IMD3(2x5 W, 1 MHz space) : -60dBc max
Input Power: : 50W
Peak Power: : 200W
Operating Temperature : -40°C to +105°C
Storage Temperature : -40°C to +125°C
Direction : CW

ENG PART#:802-340-360-VP040

THIS DRAWING CONTAINS INFORMATION THAT IS PROPRIETARY TO MOLEX ELECTRONIC TECHNOLOGIES, LLC AND SHOULD NOT BE USED WITHOUT WRITTEN PERMISSION																	
FUNCTIONAL SYMBOLS	DIMENSION UNITS	SCALE	CURRENT REV DESC:														
FA=0	MM	1:1	CHANGE ECTR RESTRICTED ***														
FE=0	GENERAL TOLERANCES (UNLESS SPECIFIED)		EC NO: 702316														
FP=0			DRWN: SREN05 2022/04/20														
DIVISIONAL SYMBOLS			CHK'D: WWANG99 2022/04/21														
			APPR: HWANG186 2022/04/22														
			INITIAL REVISION:														
			DRWN: SREN05 2021/11/15														
			APPR: HWANG186 2022/03/01														
			ANGULAR TOL ± 1.5 °														
			DRAFT WHERE APPLICABLE MUST REMAIN WITHIN DIMENSIONS														
			THIRD ANGLE PROJECTION														
			DRAWING A3-SIZE														
			SERIES 73591														
			MATERIAL NUMBER 0735912044														
			CUSTOMER GENERAL MARKET														
			SHEET NUMBER 1 OF 1														
DOCUMENT STATUS P1			RELEASE DATE 2022/04/22 07:33:19			<table border="1"> <tr> <td>DOCUMENT NUMBER</td> <td>DOC TYPE</td> <td>DOC PART</td> <td>REVISION</td> </tr> <tr> <td>735912044</td> <td>PSD</td> <td>000</td> <td>A1</td> </tr> </table>				DOCUMENT NUMBER	DOC TYPE	DOC PART	REVISION	735912044	PSD	000	A1
DOCUMENT NUMBER	DOC TYPE	DOC PART	REVISION														
735912044	PSD	000	A1														