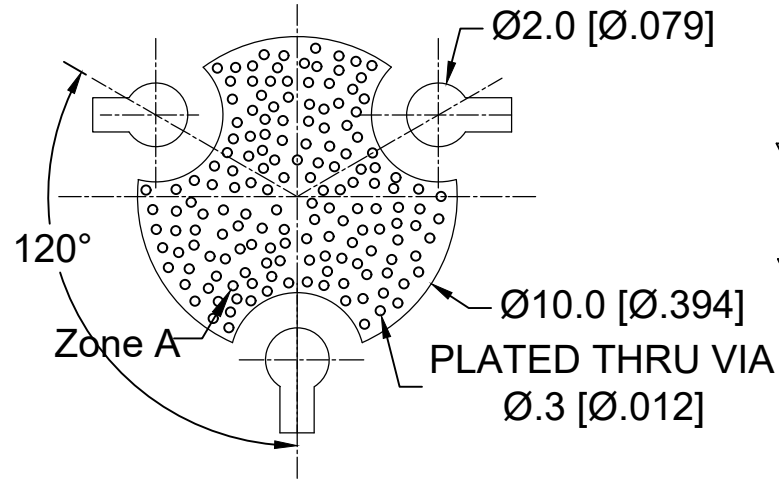
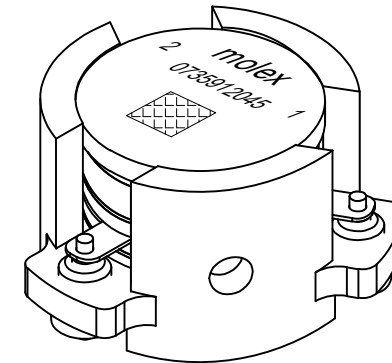
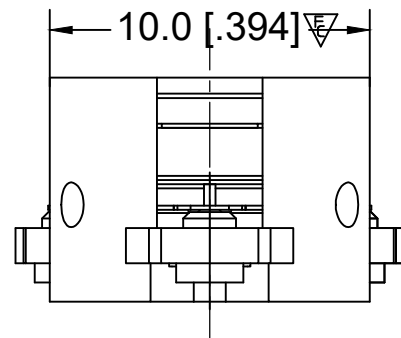
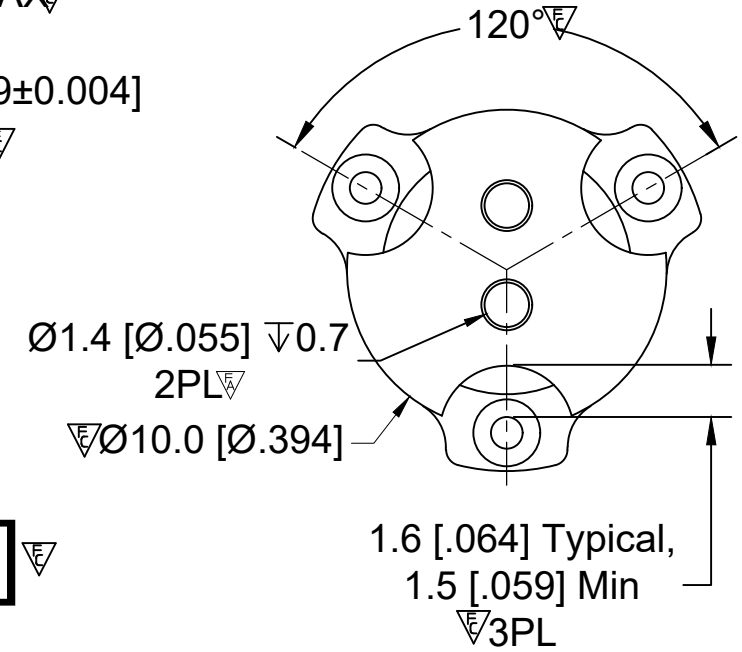
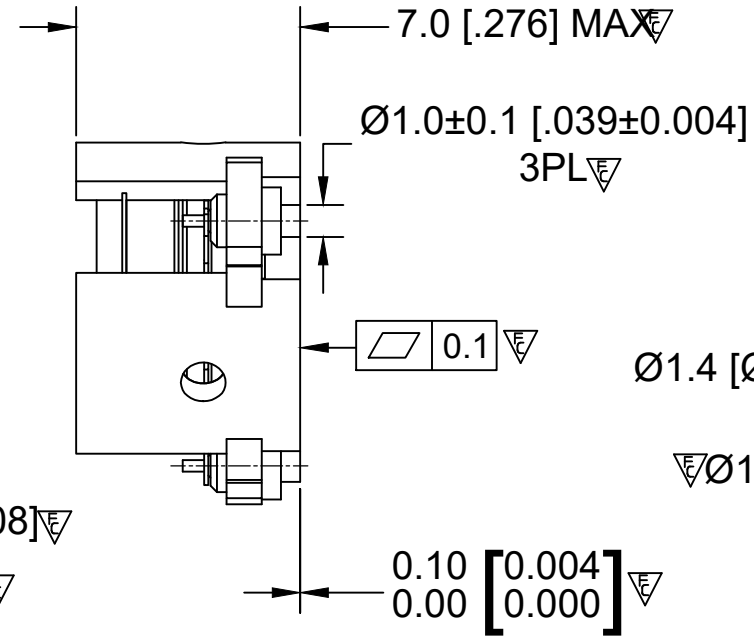
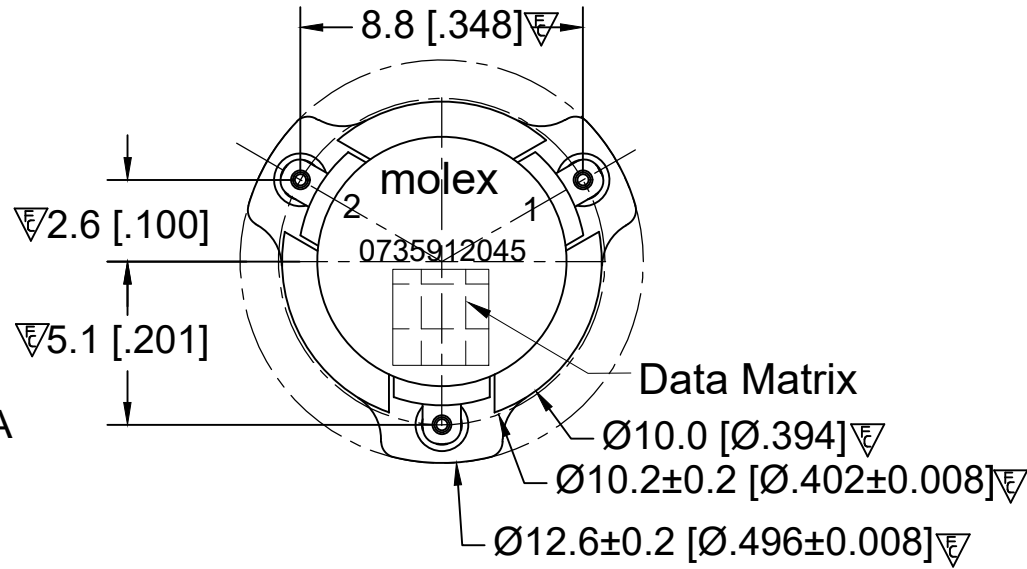


**RECOMMENDED LAND PATTERN :**

Zone A must be attached to heat sink. Thermal conductivity of intermediate layers between Zone A and heat sink must be better than 0.1 W / [°C x mm].



PCB Material :Rogers RO4350B,0.508mm thickness  
trace width 1.07mm wide.



BODY: CARBON STEEL, SILVER PLATED  
RIGID PINS: COPPER, SILVER PLATED

**NOTES:**

- 1.STANDARD INPUT/OUTPUT IMPEDANCE 50 Ohm
- 2.LEAD FREE, NO Nd MATERIAL, BeO FREE
- 3.THE DIMENSION OF DATE MATRIX IS 3X3MM INFORMATION INCLUDING WORK ORDER NUMBER-SERIAL NUMBER-MATERIAL NUMBER
- 4.THIS PART COMPLIES WITH ALL RoHS REQUIREMENTS

**ELECTRICAL SPECIFICATION :**

Frequency Range : 3400~3600 MHz  
 Insertion Loss : 0.35 dB max  
 Isolation : 20 dB min  
 Return Loss : 20 dB min  
 IMD3(2x5 W, 1 MHz space) : -60dBc max  
 Input Power: : 50W  
 Peak Power: : 200W  
 Operating Temperature : -40°C to +105°C  
 Storage Temperature : -40°C to +125°C  
 Direction : CCW

**ENG PART#:812-340-360-VP040**

THIS DRAWING CONTAINS INFORMATION THAT IS PROPRIETARY TO MOLEX ELECTRONIC TECHNOLOGIES, LLC AND SHOULD NOT BE USED WITHOUT WRITTEN PERMISSION									
FUNCTIONAL SYMBOLS	DIMENSION UNITS	SCALE	CURRENT REV DESC:						
$\nabla_A=0$	MM	1:1	CHANGE ECTR RESTRICTED ***						
$\nabla_P=0$	GENERAL TOLERANCES (UNLESS SPECIFIED)		EC NO: 702316						
$\nabla_F=0$	mm INCH		DRWN: SREN05 2022/04/20						
DIVISIONAL SYMBOLS	4 PLACES	±0.005 ±---	CHK'D: WWANG99 2022/04/21						
	3 PLACES	±0.025 ±---	APPR: HWANG186 2022/04/22						
	2 PLACES	±0.13 ±---	INITIAL REVISION:						
	1 PLACE	±0.2 ±---	DRWN: SREN05 2021/11/15						
	0 PLACES	±0.4 ±---	APPR: HWANG186 2022/03/01						
	ANGULAR TOL ± 1.5 °		DOCUMENT NUMBER						
	DRAFT WHERE APPLICABLE MUST REMAIN WITHIN DIMENSIONS		THIRD ANGLE PROJECTION		DRAWING	SERIES	MATERIAL NUMBER	CUSTOMER	SHEET NUMBER
			A3-SIZE		73591	0735912045	GENERAL MARKET	1 OF 1	