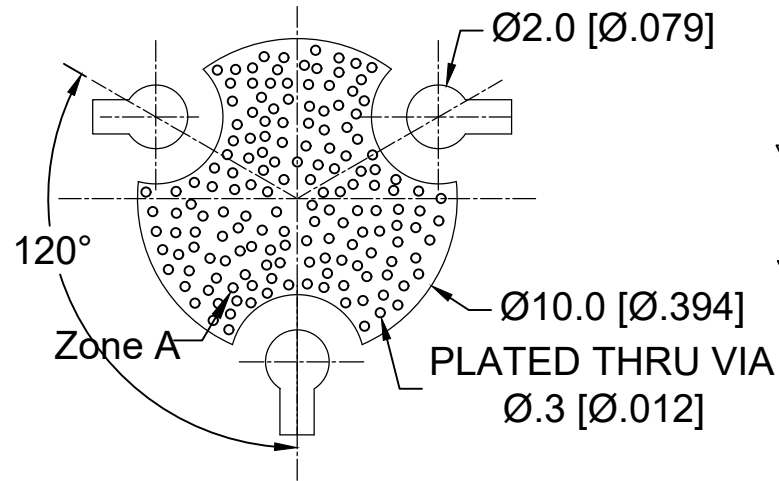
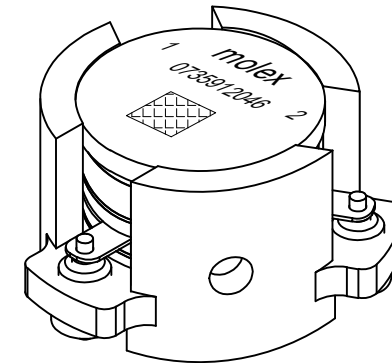
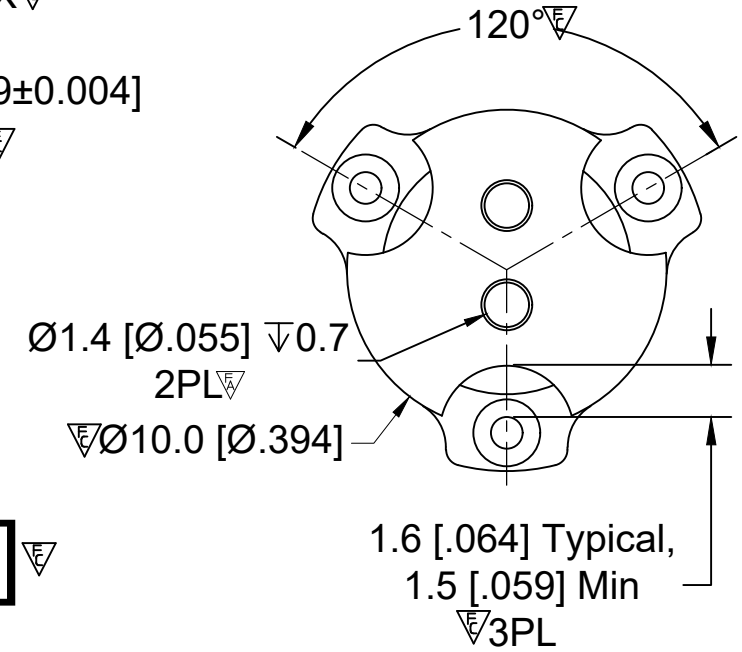
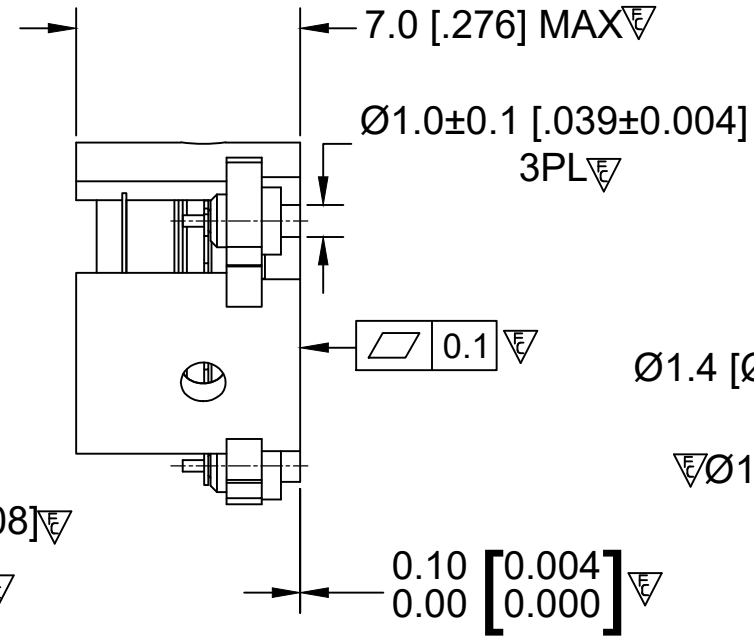
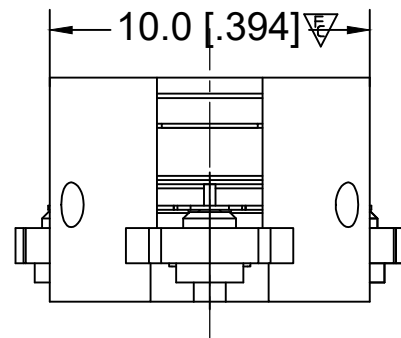
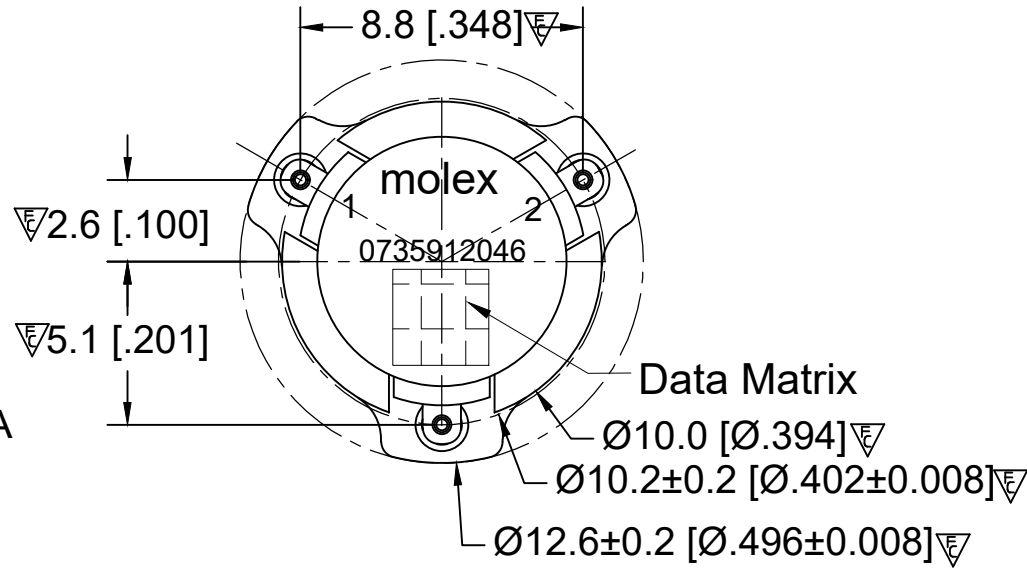


RECOMMENDED LAND PATTERN :

Zone A must be attached to heat sink. Thermal conductivity of intermediate layers between Zone A and heat sink must be better than 0.1 W / [°C x mm].



PCB Material :Rogers RO4350B,0.508mm thickness
 trace width 1.07mm wide.



BODY: CARBON STEEL, SILVER PLATED
 RIGID PINS: COPPER, SILVER PLATED

NOTES:

- STANDARD INPUT/OUTPUT IMPEDANCE 50 Ohm
- LEAD FREE, NO Nd MATERIAL, BeO FREE
- THE DIMENSION OF DATE MATRIX IS 3X3MM INFORMATION INCLUDING WORK ORDER NUMBER-SERIAL NUMBER-MATERIAL NUMBER
- THIS PART COMPLIES WITH ALL RoHS REQUIREMENTS

ELECTRICAL SPECIFICATION :

Frequency Range : 2496~2690 MHz
 Insertion Loss : 0.35 dB max
 Isolation : 20 dB min
 Return Loss : 20 dB min
 IMD3(2x5 W, 1 MHz space) : -60dBc max
 Input Power: : 50W
 Peak Power: : 200W
 Operating Temperature : -40°C to +105°C
 Storage Temperature : -40°C to +125°C
 Direction : CW

ENG PART#:802-249-269-VP040

THIS DRAWING CONTAINS INFORMATION THAT IS PROPRIETARY TO MOLEX ELECTRONIC TECHNOLOGIES, LLC AND SHOULD NOT BE USED WITHOUT WRITTEN PERMISSION										
FUNCTIONAL SYMBOLS	DIMENSION UNITS	SCALE	CURRENT REV DESC:							
	MM	1:1	CHANGE ECTR RESTRICTED ***							
DIVISIONAL SYMBOLS	GENERAL TOLERANCES (UNLESS SPECIFIED)		EC NO: 702316							
		mm	INCH	DRWN: SREN05		2022/04/20		SMSJ CIRCULATOR/2496~2690MHZ/CW		
	4 PLACES	±0.005	±----	CHK'D: WWANG99		2022/04/21		PRODUCT CUSTOMER DRAWING		
	3 PLACES	±0.025	±----	APPR: HWANG186		2022/04/22		DOCUMENT NUMBER		
	2 PLACES	±0.13	±----	INITIAL REVISION:				735912046		
	1 PLACE	±0.2	±----	DRWN: SREN05		2021/11/15		PSD 000 A1		
	0 PLACES	±0.4	±----	APPR: HWANG186		2022/03/01		DOC TYPE DOC PART REVISION		
	ANGULAR TOL ± 1.5 °									
	DRAFT WHERE APPLICABLE MUST REMAIN WITHIN DIMENSIONS		THIRD ANGLE PROJECTION		DRAWING		SERIES		MATERIAL NUMBER	
			A3-SIZE		73591		0735912046		CUSTOMER	
									GENERAL MARKET	
									SHEET NUMBER	
									1 OF 1	