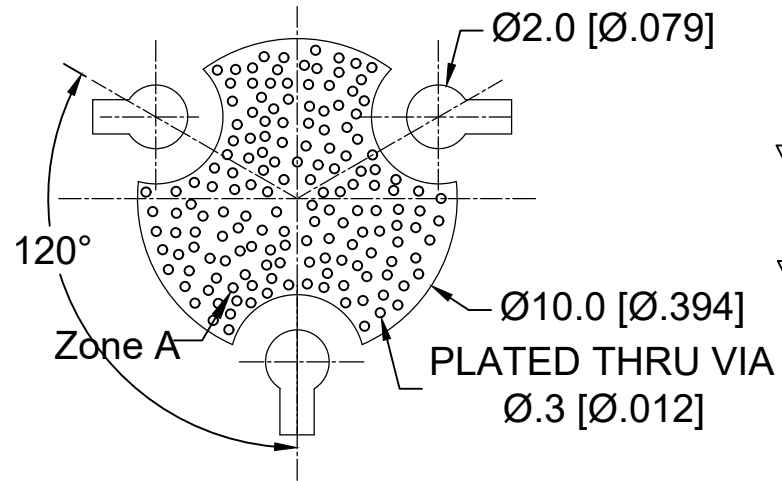
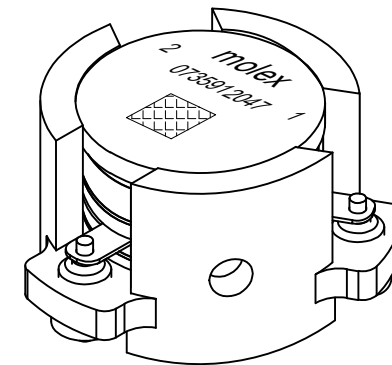
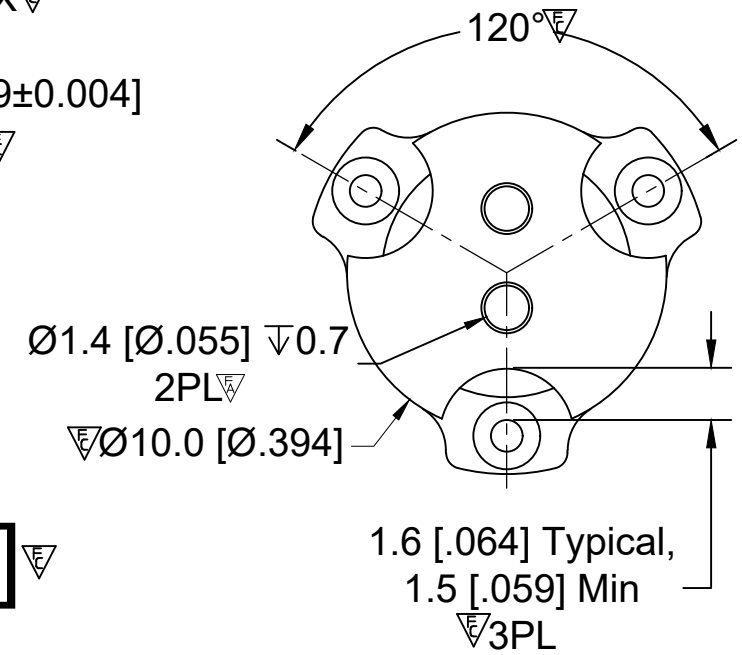
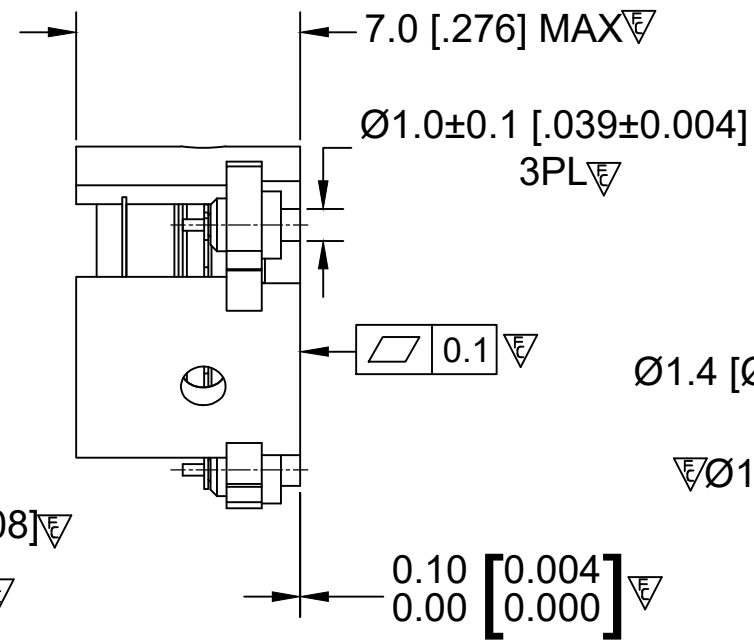
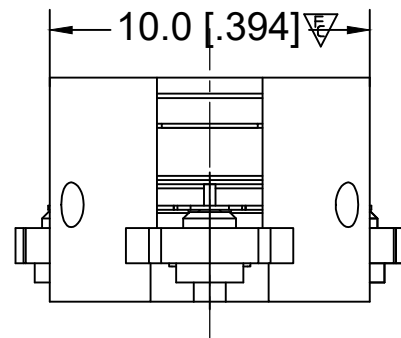
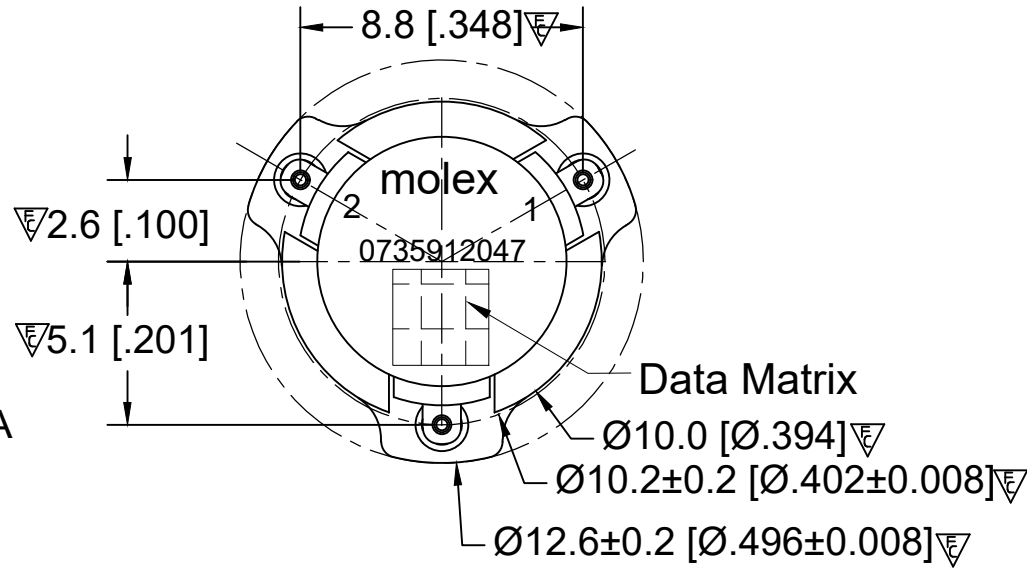


**RECOMMENDED LAND PATTERN :**

Zone A must be attached to heat sink. Thermal conductivity of intermediate layers between Zone A and heat sink must be better than 0.1 W / [°C x mm].



PCB Material :Rogers RO4350B,0.508mm thickness  
 trace width 1.07mm wide.



BODY: CARBON STEEL, SILVER PLATED  
 RIGID PINS: COPPER, SILVER PLATED

**NOTES:**

- 1.STANDARD INPUT/OUTPUT IMPEDANCE 50 Ohm
- 2.LEAD FREE, NO Nd MATERIAL, BeO FREE
- 3.THE DIMENSION OF DATE MATRIX IS 3X3MM INFORMATION INCLUDING WORK ORDER NUMBER-SERIAL NUMBER-MATERIAL NUMBER
- 4.THIS PART COMPLIES WITH ALL RoHS REQUIREMENTS

**ELECTRICAL SPECIFICATION :**

Frequency Range : 2496~2690 MHz  
 Insertion Loss : 0.35 dB max  
 Isolation : 20 dB min  
 Return Loss : 20 dB min  
 IMD3(2x5 W, 1 MHz space) : -60dBc max  
 Input Power: : 50W  
 Peak Power: : 200W  
 Operating Temperature : -40°C to +105°C  
 Storage Temperature : -40°C to +125°C  
 Direction : CCW

**ENG PART#:812-249-269-VP040**

FUNCTIONAL SYMBOLS	THIS DRAWING CONTAINS INFORMATION THAT IS PROPRIETARY TO MOLEX ELECTRONIC TECHNOLOGIES, LLC AND SHOULD NOT BE USED WITHOUT WRITTEN PERMISSION		CURRENT REV DESC:		<b>molex</b>				
	DIMENSION UNITS	SCALE	CHANGE ECTR RESTRICTED ***						
DIVISIONAL SYMBOLS	MM	1:1	EC NO: 702316		SMSJ CIRCULATOR/2496~2690MHZ/CCW				
	GENERAL TOLERANCES (UNLESS SPECIFIED)		DRWN: SREN05	2022/04/20					
DIVISIONAL SYMBOLS	mm		CHK'D: WWANG99	2022/04/21	PRODUCT CUSTOMER DRAWING				
	4 PLACES	±0.005 ±---	APPR: HWANG186	2022/04/22					
	3 PLACES	±0.025 ±---	INITIAL REVISION:						
	2 PLACES	±0.13 ±---	DRWN: SREN05	2021/11/15					
1 PLACE	±0.2 ±---	APPR: HWANG186	2022/03/01	DOCUMENT NUMBER	DOC TYPE	DOC PART	REVISION		
0 PLACES	±0.4 ±---			735912047	PSD	000	A1		
ANGULAR TOL ± 1.5 °		DRAFT WHERE APPLICABLE MUST REMAIN WITHIN DIMENSIONS		THIRD ANGLE PROJECTION	DRAWING	SERIES	MATERIAL NUMBER	CUSTOMER	SHEET NUMBER
					A3-SIZE	73591	0735912047	GENERAL MARKET	1 OF 1