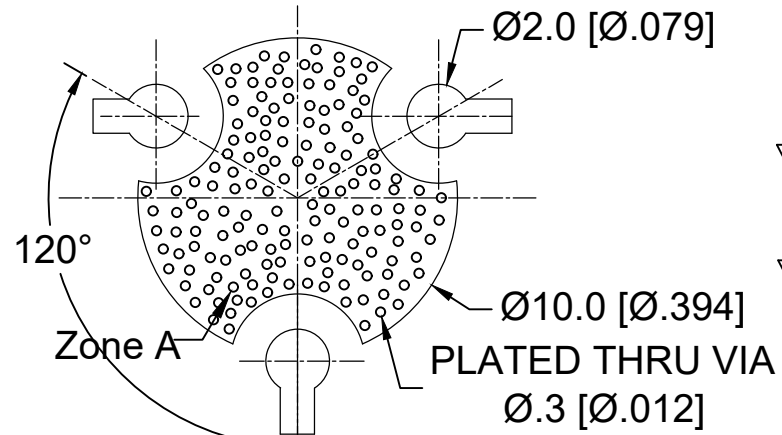
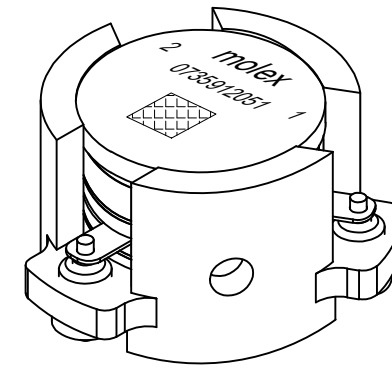
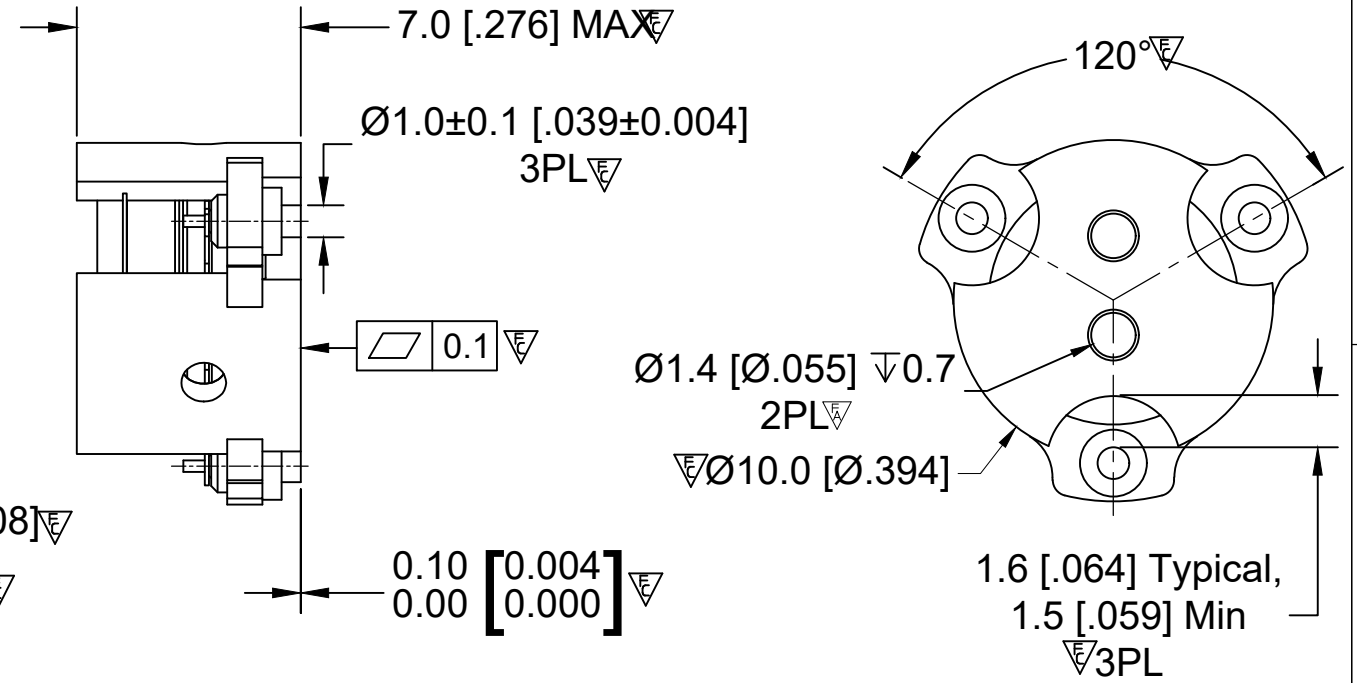
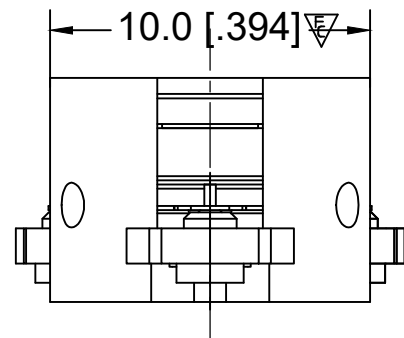
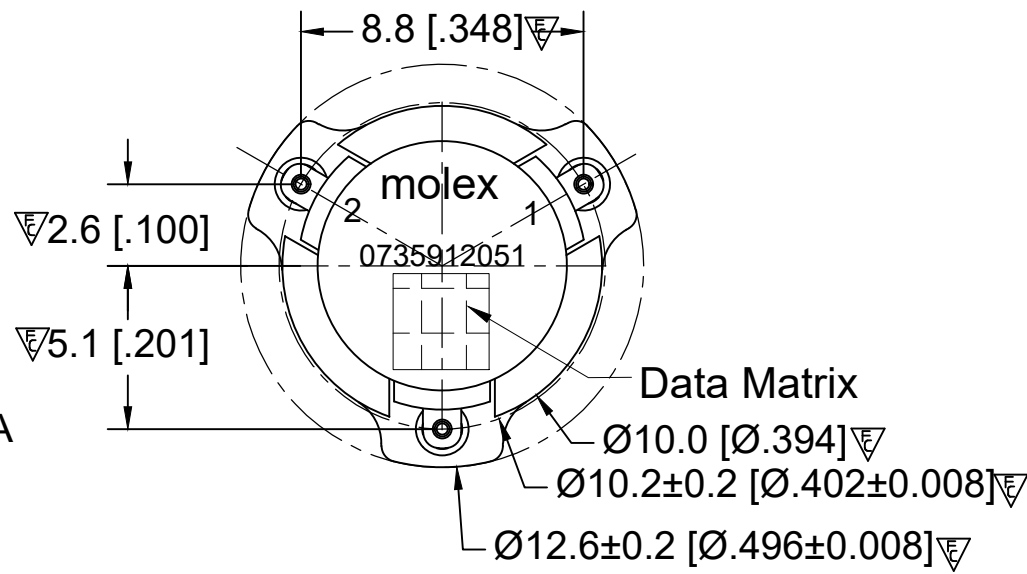


RECOMMENDED LAND PATTERN :

Zone A must be attached to heat sink. Thermal conductivity of intermediate layers between Zone A and heat sink must be better than 0.1 W / [°C x mm].



PCB Material :Rogers RO4350B,0.508mm thickness
trace width 1.07mm wide.



BODY: CARBON STEEL, SILVER PLATED

RIGID PINS: COPPER, SILVER PLATED

NOTES:

- 1.STANDARD INPUT/OUTPUT IMPEDANCE 50 Ohm
- 2.LEAD FREE, NO Nd MATERIAL, BeO FREE
- 3.THE DIMENSION OF DATE MATRIX IS 3X3MM INFORMATION INCLUDING WORK ORDER NUMBER-SERIAL NUMBER-MATERIAL NUMBER
- 4.THIS PART COMPLIES WITH ALL RoHS REQUIREMENTS

ELECTRICAL SPECIFICATIONS :

- Frequency Range : 2300~2400 MHz
- Insertion Loss : 0.25 dB@25°C ,0.30dB Max
- Isolation : 20 dB Min
- Return Loss : 22.12 dB min(VSWR: 1:1.17)
- Average Power : 20 W (CW)
- Peak Power : 160 W
- 2nd Harmonic : 10 dB min
- 3rd Harmonic : 5 dB min
- FMD(2x5 W,1MHz space): -60 dBc Max
- Operating Temperature : -40°C to +110°C
- +110°C to +130°C : power capacity and reliability no change ,
Insertion loss reduce 20%, other spec.reduce 10%,
No reliability risk for long period work.
- Storage Temperature : -55°C to +150°C
- Direction : CCW

ENG PART#:812-230-240-VP040

THIS DRAWING CONTAINS INFORMATION THAT IS PROPRIETARY TO MOLEX ELECTRONIC TECHNOLOGIES, LLC AND SHOULD NOT BE USED WITHOUT WRITTEN PERMISSION										
FUNCTIONAL SYMBOLS	DIMENSION UNITS	SCALE	CURRENT REV DESC:							
$\nabla_A=0$	MM	1:1	CHANGE ECTR RESTRICTED ***							
$\nabla_E=0$	GENERAL TOLERANCES (UNLESS SPECIFIED)		EC NO: 702316							
$\nabla_P=0$			DRWN: SREN05 2022/04/20							
DIVISIONAL SYMBOLS			CHK'D: WWANG99 2022/04/21							
			APPR: HWANG186 2022/04/22							
			INITIAL REVISION:							
			DRWN: SREN05 2021/11/15							
			APPR: HWANG186 2022/03/01							
			ANGULAR TOL $\pm 1.5^\circ$							
			DRAFT WHERE APPLICABLE MUST REMAIN WITHIN DIMENSIONS							
			THIRD ANGLE PROJECTION		DRAWING		SERIES		MATERIAL NUMBER	
			A3-SIZE		73591		0735912051		CUSTOMER	
			GENERAL MARKET		1 OF 1					