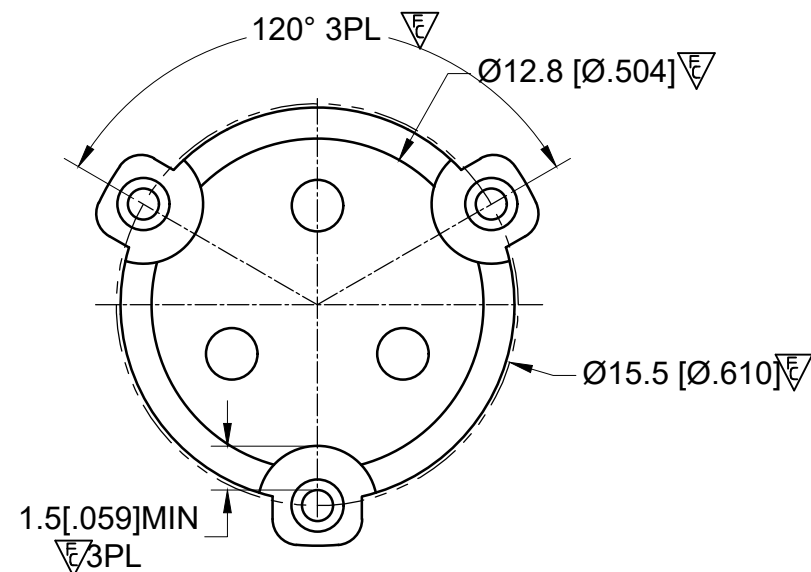
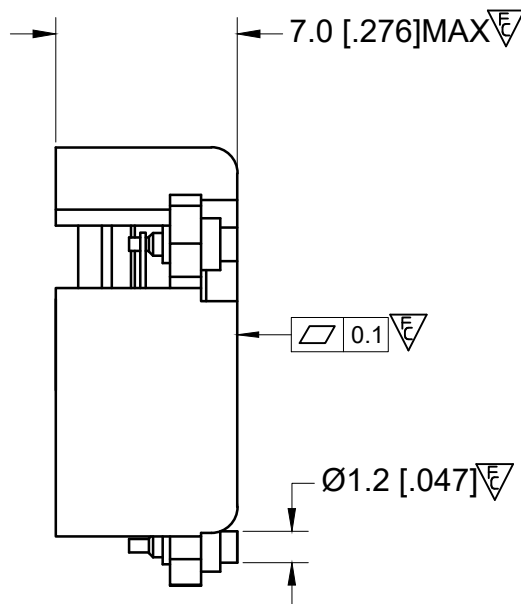
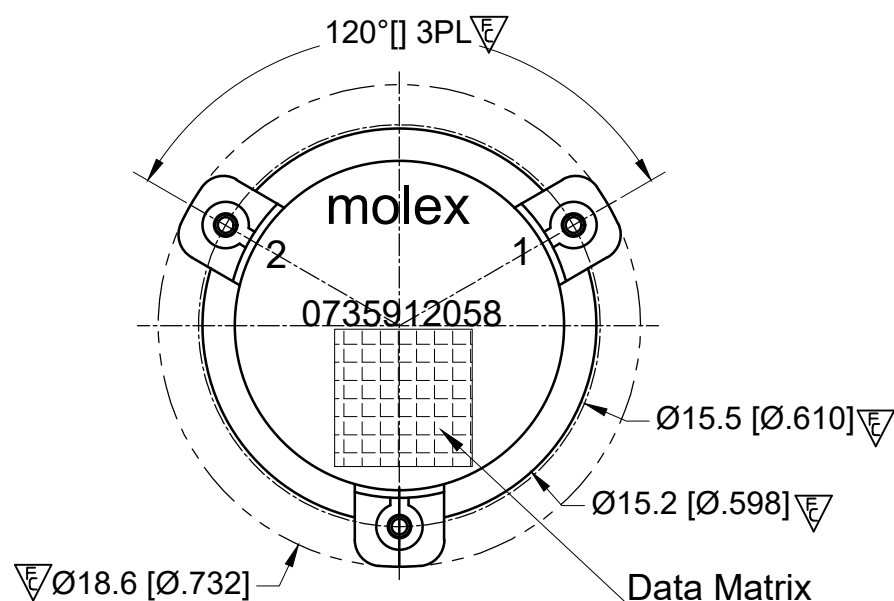
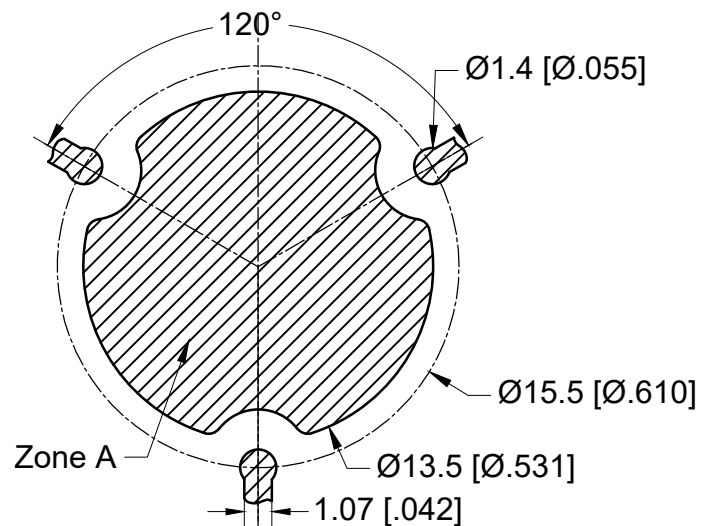
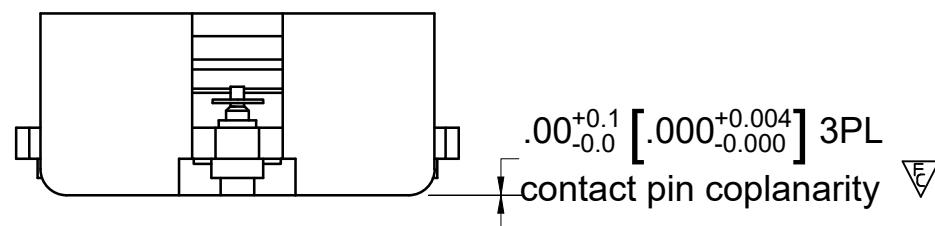


RECOMMENDED LAND PATTERN :

Zone A must be attached to heat sink. Thermal conductivity of intermediate layers between Zone A and heat sink must be better than 0.1 W / [°C x mm].



PCB Material :Rogers RO4350B,0.508mm thickness
trace width 1.07mm wide.



ELECTRICAL SPECIFICATIONS :

Frequency Range : 2300~2400MHz

Isolation : 20 dB min

Return Loss : 23 dB min

Insertion Loss : 0.25 dB max

Attenuation (2 x TX) : 20 dB min

(3 x TX) : 7 dB min

(N x TX) : 5 dB min

Input Power(within freq.range) :100 W max

Input Power peak(within freq.range) :1000 W max

Reflected Power :100W max

IM3(50W x 2 tones 5M spacing) : -65 dBc max

Harmonics (2 x TX @ 100W CW) : 60 dBc min

(3 x TX @ 100W CW) : 60 dBc min

Operating temperature range : -40 to +115°C

Storage temperature range : -40 to +125°C

Direction : CCW

MATERIAL :

BODY : STEEL, SILVER PLATED

PIN : COPPER , SILVER PLATED

NOTES :

1.STANDARD INPUT/OUTPUT IMPEDANCE 50 Ohm

2.LEAD FREE, NO Nd MATERIAL, BeO FREE

3.THE DIMENSION OF DATA MATRIX IS 5.3X5.3MM INFORMATION INCLUDING WORK ORDER NUMBER-SERIAL NUMBER-MATERIAL NUMBER

4.THIS PART COMPLIES WITH ALL RoHS REQUIREMENTS

ENG PART#: 812-230-240-WP040

FUNCTIONAL SYMBOLS FA=0 FE=0 FP=0	THIS DRAWING CONTAINS INFORMATION THAT IS PROPRIETARY TO MOLEX ELECTRONIC TECHNOLOGIES, LLC AND SHOULD NOT BE USED WITHOUT WRITTEN PERMISSION		CURRENT REV DESC: CHANGE ECTR RESTRICTED ***		molex
	DIMENSION UNITS	SCALE	EC NO: 702316		
	MM	1:1	DRWN: SREN05	2022/04/20	
	GENERAL TOLERANCES (UNLESS SPECIFIED)		CHK'D: WWANG99	2022/04/21	
DIVISIONAL SYMBOLS	mm	INCH	APPR: HWANG186	2022/04/22	PRODUCT CUSTOMER DRAWING
4 PLACES	±0.025	±----	INITIAL REVISION:		DOCUMENT NUMBER
3 PLACES	±0.05	±----	DRWN: SREN05	2021/11/12	735912058
2 PLACES	±0.13	±----	APPR: HWANG186	2022/03/01	PSD 000
1 PLACE	±0.25	±----	DRAFT WHERE APPLICABLE MUST REMAIN WITHIN DIMENSIONS		REVISION
0 PLACES	±0.4	±----	THIRD ANGLE PROJECTION		A1
ANGULAR TOL ± 1.5 °		DRAWING		SERIES	MATERIAL NUMBER
DRAFT WHERE APPLICABLE MUST REMAIN WITHIN DIMENSIONS		A3-SIZE		73591	CUSTOMER
				0735912058	GENERAL MARKET
					SHEET NUMBER
					1 OF 1