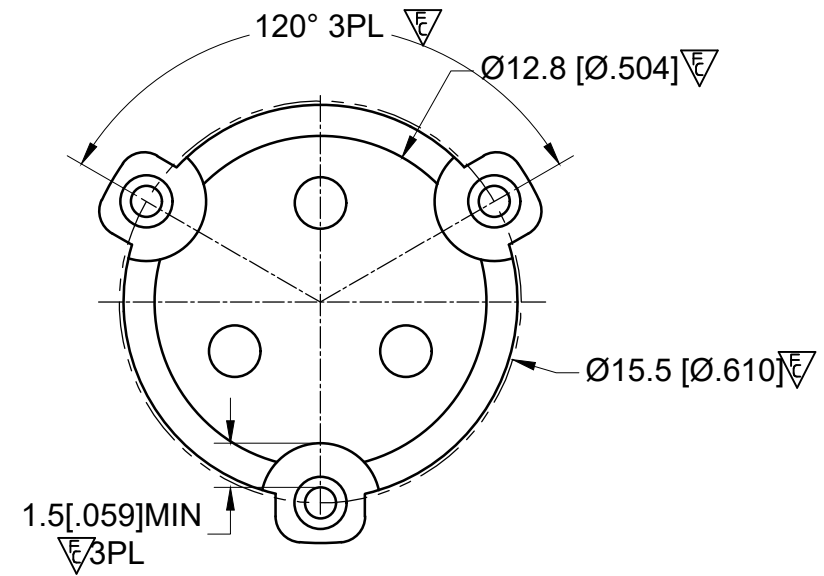
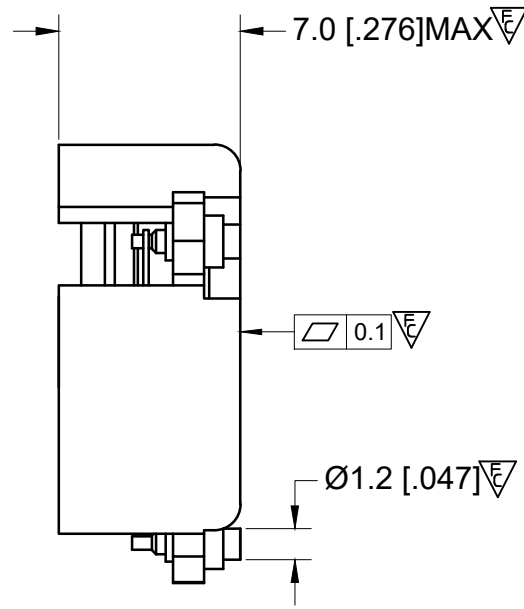
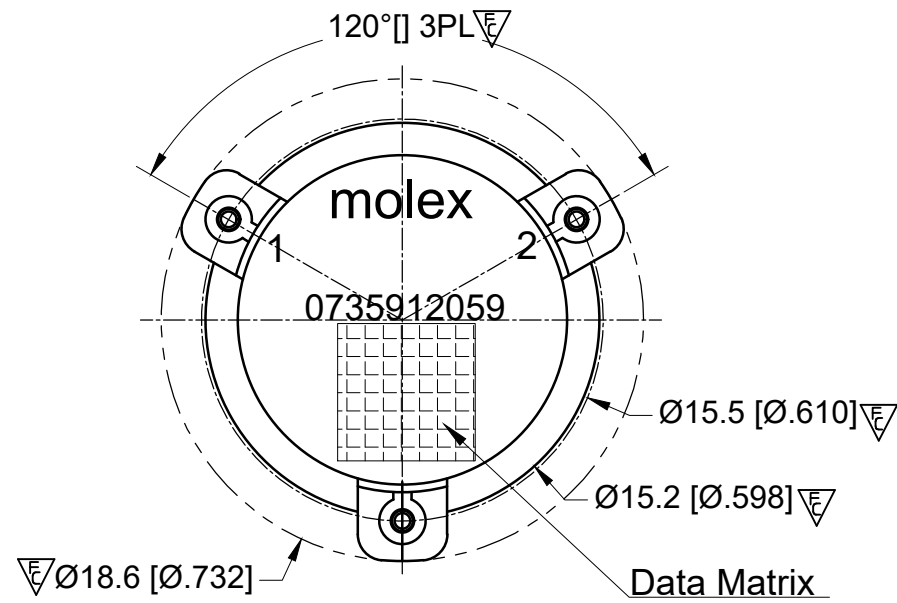
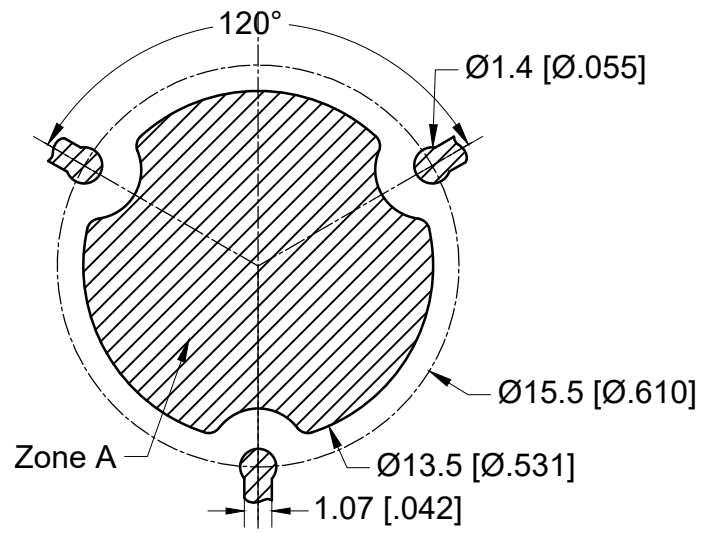
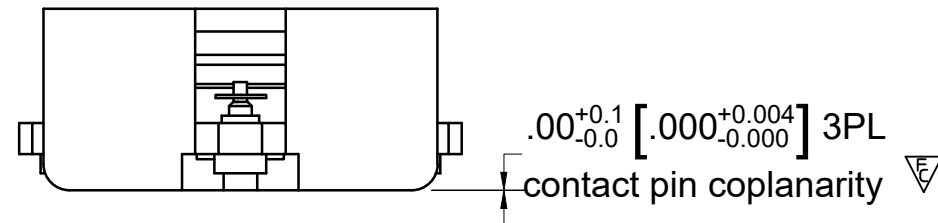


**RECOMMENDED LAND PATTERN :**

Zone A must be attached to heat sink. Thermal conductivity of intermediate layers between Zone A and heat sink must be better than 0.1 W / [°C x mm].



PCB Material :Rogers RO4350B,0.508mm thickness  
 trace width 1.07mm wide.



**ELECTRICAL SPECIFICATIONS :**

- Frequency Range : 2496~2690MHz
- Isolation : 22 dB min
- Return Loss : 22 dB min
- Insertion Loss : 0.25 dB max
- Attenuation (2 x TX) : 20 dB min
- (3 x TX) : 7 dB min
- (N x TX) : 5 dB min
- Average FE/REV Power : 100 W(CW) max
- Peak Power : 1000 W max
- IM3(30W x 2 tones 5M) : -69 dBc max
- Harmonics (2 x TX @ 60W CW) : 60 dBc min
- (3 x TX @ 60W CW) : 60 dBc min
- Operating temperature range : -40 to +105°C
- Storage temperature range : -40 to +125°C
- Direction : CW

**MATERIAL :**

BODY : STEEL, SILVER PLATED  
 PIN : COPPER , SILVER PLATED

**NOTES :**

- 1.STANDARD INPUT/OUTPUT IMPEDANCE 50 Ohm
- 2.LEAD FREE, NO Nd MATERIAL, BeO FREE
- 3.THE DIMENSION OF DATA MATRIX IS 5.3X5.3MM INFORMATION INCLUDING WORK ORDER NUMBER-SERIAL NUMBER-MATERIAL NUMBER
- 4.THIS PART COMPLIES WITH ALL RoHS REQUIREMENTS

**ENG PART#: 802-249-269-WP040**

|                                       |                                                                                                                                               |                            |                           |
|---------------------------------------|-----------------------------------------------------------------------------------------------------------------------------------------------|----------------------------|---------------------------|
| FUNCTIONAL SYMBOLS                    | THIS DRAWING CONTAINS INFORMATION THAT IS PROPRIETARY TO MOLEX ELECTRONIC TECHNOLOGIES, LLC AND SHOULD NOT BE USED WITHOUT WRITTEN PERMISSION |                            |                           |
|                                       | DIMENSION UNITS                                                                                                                               | SCALE                      | CURRENT REV DESC:         |
| MM                                    | 1:1                                                                                                                                           | CHANGE ECTR RESTRICTED *** |                           |
| GENERAL TOLERANCES (UNLESS SPECIFIED) | mm                                                                                                                                            | INCH                       | EC NO: 702316             |
|                                       | 4 PLACES ±0.25 ±----                                                                                                                          | ±----                      |                           |
| DIVISIONAL SYMBOLS                    | 3 PLACES ±0.05 ±----                                                                                                                          | ±----                      | CHK'D: WWANG99 2022/04/21 |
|                                       | 2 PLACES ±0.13 ±----                                                                                                                          | ±----                      | APPR: HWANG186 2022/04/22 |
| INITIAL REVISION:                     | 1 PLACE ±0.25 ±----                                                                                                                           | ±----                      | DRWN: SREN05 2021/11/12   |
|                                       | 0 PLACES ±0.4 ±----                                                                                                                           | ±----                      | APPR: HWANG186 2022/03/01 |
| ANGULAR TOL ± 1.5 °                   | DRAFT WHERE APPLICABLE MUST REMAIN WITHIN DIMENSIONS                                                                                          |                            |                           |
| THIRD ANGLE PROJECTION                | DRAWING                                                                                                                                       | SERIES                     | MATERIAL NUMBER           |
| AS3                                   | A3-SIZE                                                                                                                                       | 73591                      | 0735912059                |
| CUSTOMER                              |                                                                                                                                               | SHEET NUMBER               |                           |
| GENERAL MARKET                        |                                                                                                                                               | 1 OF 1                     |                           |