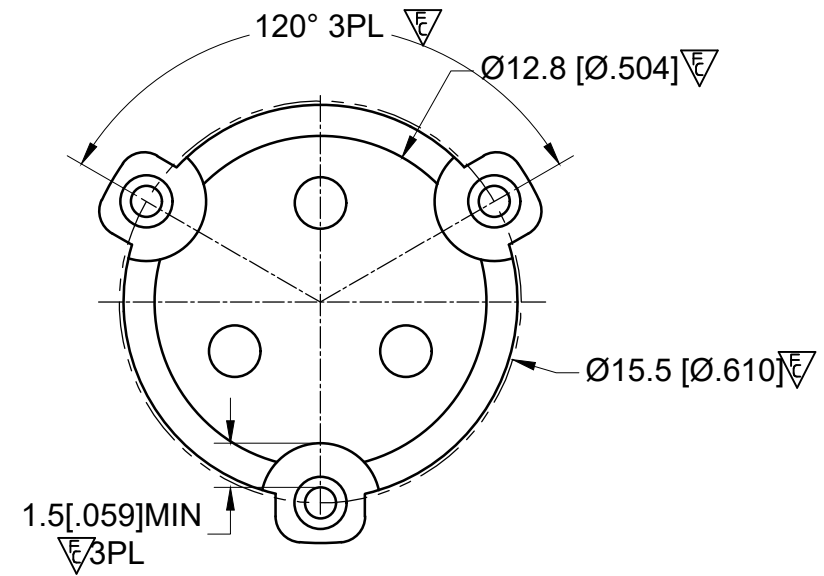
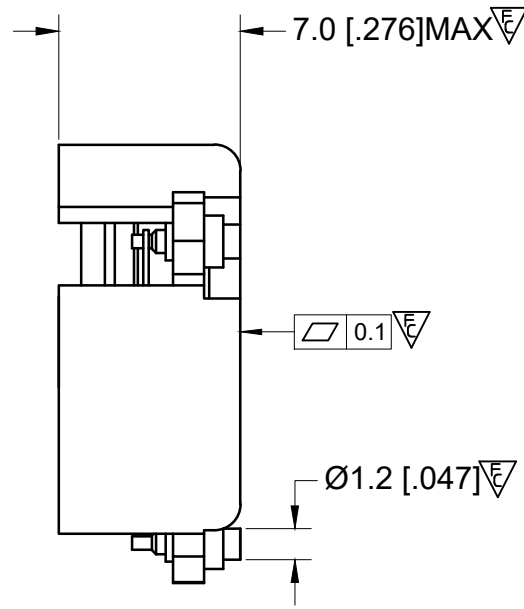
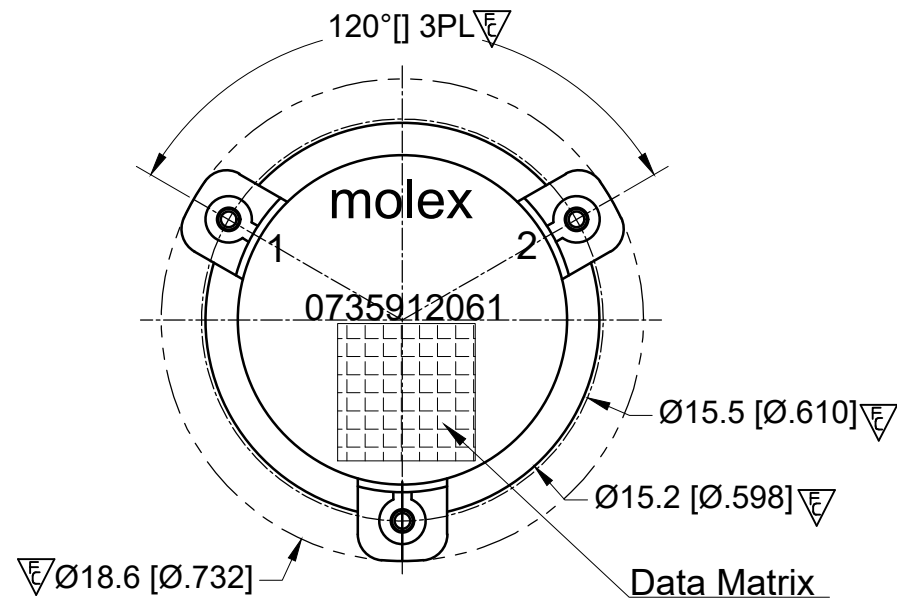
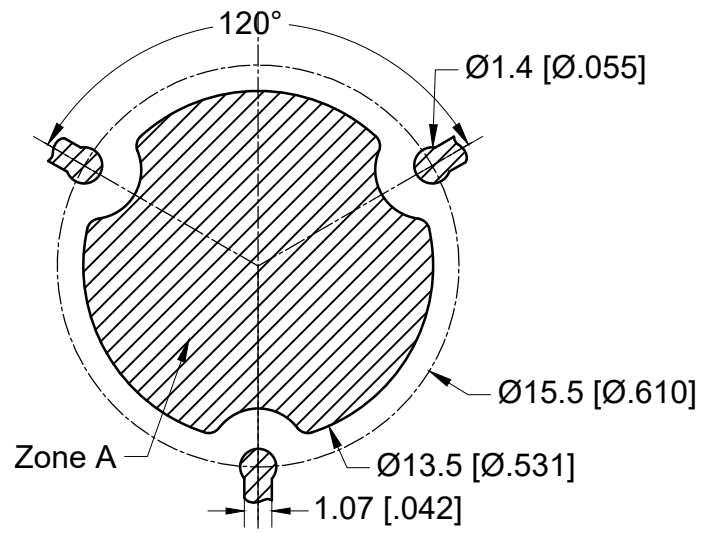
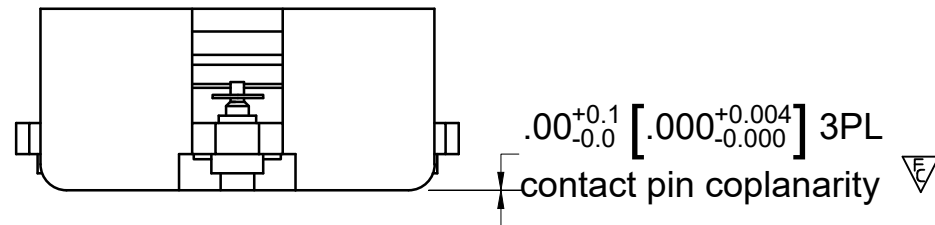


**RECOMMENDED LAND PATTERN :**

Zone A must be attached to heat sink. Thermal conductivity of intermediate layers between Zone A and heat sink must be better than 0.1 W / [°C x mm].



PCB Material :Rogers RO4350B,0.508mm thickness  
trace width 1.07mm wide.



**ELECTRICAL SPECIFICATIONS :**

- Frequency Range : 3400~3600 MHz
- Isolation : 20 dB min.
- Return Loss : 23 dB min.
- Insertion Loss : 0.25dB max.
- Attenuation (2 x TX) : 20 dB min
- (3 x TX) : 7 dB min
- (N x TX) : 5 dB min

- Average FE/REV Power :100 W(CW) max
- Peak Power :1000 W max
- IM3(50W x 2 tones, 5M) : -65 dBc max
- Harmonics (2 x TX @ 100W CW) : 60 dBc min
- (3 x TX @ 100W CW) : 60 dBc min
- Operating temperature range : -40 to +115°C
- Storage temperature range : -40 to +125°C
- Direction : CW

**MATERIAL :**

- BODY : STEEL, SILVER PLATED
- PIN : COPPER , SILVER PLATED

**NOTES :**

- 1.STANDARD INPUT/OUTPUT IMPEDANCE 50 Ohm
- 2.LEAD FREE, NO Nd MATERIAL, BeO FREE
- 3.THE DIMENSION OF DATA MATRIX IS 5.3X5.3MM INFORMATION INCLUDING WORK ORDER NUMBER-SERIAL NUMBER-MATERIAL NUMBER
- 4.THIS PART COMPLIES WITH ALL RoHS REQUIREMENTS

**ENG PART#: 802-340-360-WP040**

FUNCTIONAL SYMBOLS	THIS DRAWING CONTAINS INFORMATION THAT IS PROPRIETARY TO MOLEX ELECTRONIC TECHNOLOGIES, LLC AND SHOULD NOT BE USED WITHOUT WRITTEN PERMISSION					
	DIMENSION UNITS	SCALE	CURRENT REV DESC:			
MM	1:1	CHANGE ECTR RESTRICTED ***				
GENERAL TOLERANCES (UNLESS SPECIFIED)						
	mm	INCH				
4 PLACES	±0.25	±----	EC NO: 702316			
3 PLACES	±0.05	±----	DRWN: SREN05	2022/04/20		
2 PLACES	±0.13	±----	CHK'D: WWANG99	2022/04/21		
1 PLACE	±0.25	±----	APPR: HWANG186	2022/04/22		
0 PLACES	±0.4	±----	INITIAL REVISION:			
ANGULAR TOL ± 1.5 °			DRWN: SREN05	2021/11/12	DOCUMENT NUMBER	DOC TYPE/DOC PART/REVISION
DRAFT WHERE APPLICABLE MUST REMAIN WITHIN DIMENSIONS			APPR: HWANG186	2022/03/01	735912061	PSD 000 A1
THIRD ANGLE PROJECTION			DRAWING	SERIES	MATERIAL NUMBER	CUSTOMER
			A3-SIZE	73591	0735912061	GENERAL MARKET
					SHEET NUMBER	
					1 OF 1	