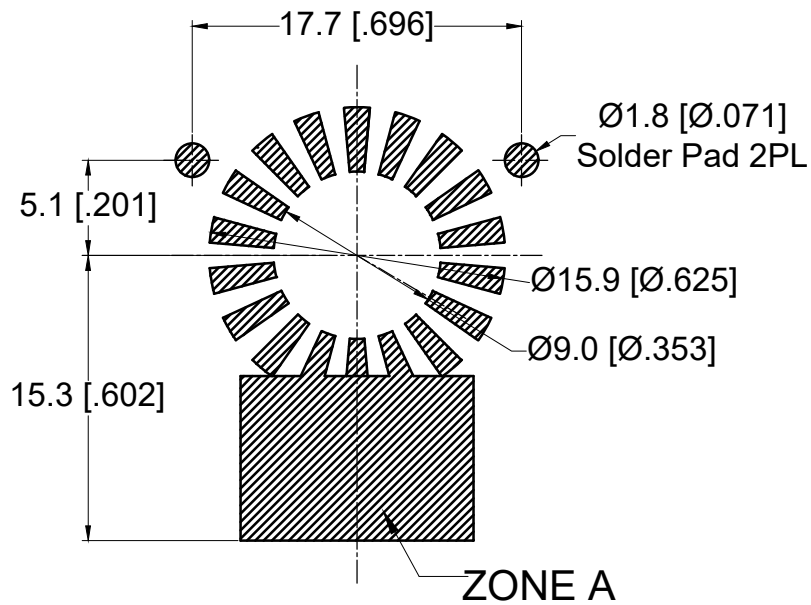
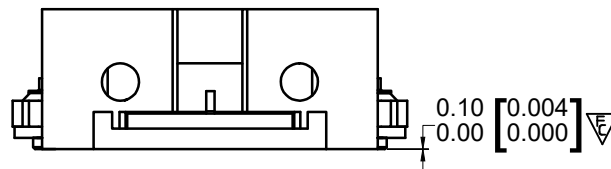
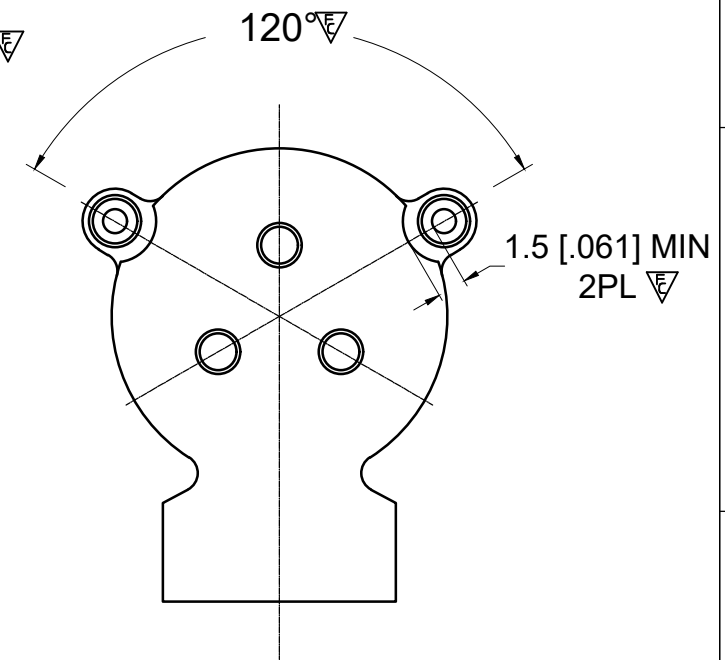
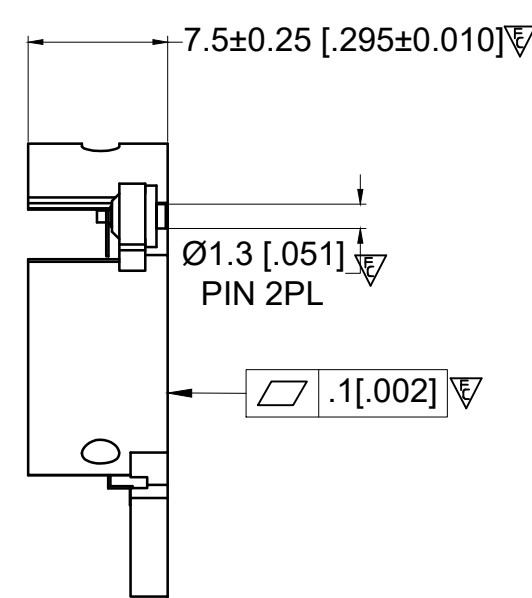
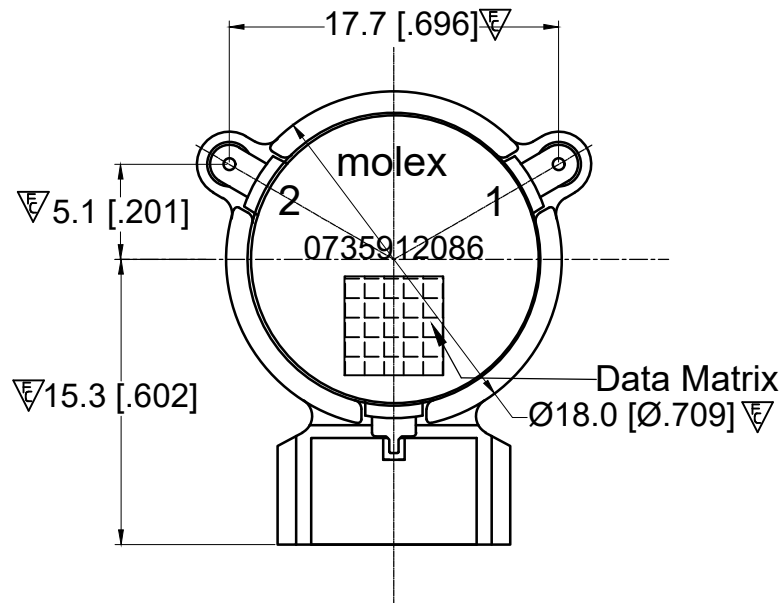


**RECOMMENDED LAND PATTERN :**

Zone A must be attached to heat sink. Thermal conductivity of intermediate layers between Zone A and heat sink must be better than 0.1 W / [°C x mm].



PCB MATERIAL:ROGERS 4350B 20MIL



**ELECTRICAL SPECIFICATION :**

Frequency Range	: 1805 to 1880 MHz
Isolation (In Band)	: 28 dB Min
Insertion Loss	: 0.18 dB Max
FWD Power	: 150W (CW)
Peak Power	: 1000 W
REV Power	: 60 W
Return Loss	: 25 dB Min
IMD (2 x 65 W, 1 MHz space)	: -70 dBc Max
2nd Harmonics	: 10 dBc
3rd Harmonics	: 5 dBc
Operating Temperature	: -40°C to +120°C
+120°C to +130°C	: power capacity and reliability no change , other spec.reduce 10%
Storage Temperature	: -40°C to +130°C
Direction	: CCW

BODY: CARBON STEEL, SILVER PLATED  
RIGID PINS: COPPER, SILVER PLATED

**NOTES:**

- STANDARD INPUT/OUTPUT IMPEDANCE 50 OHM
- LEAD FREE, NO ND MATERIAL, BEO FREE
- THE DIMENSION OF THE DATA MATRIX IS 5.3MM\*5.3MM, INFORMATION INCLUDED WORK ORDER NUMBER-SERIAL NUMBER-MATERIAL NUMBER
- THIS PART COMPLIES WITH ALL ROHS REQUIREMENTS.

**ENG PART#: 811-180-188-WC140**

FUNCTIONAL SYMBOLS	THIS DRAWING CONTAINS INFORMATION THAT IS PROPRIETARY TO MOLEX ELECTRONIC TECHNOLOGIES, LLC AND SHOULD NOT BE USED WITHOUT WRITTEN PERMISSION		CURRENT REV DESC:		<b>molex</b>
	DIMENSION UNITS	SCALE	CHANGE ECTR RESTRICTED ***		
▽=0	MM	1:1			SMSJ ISOLATOR/1805~1880MHZ/CCW
▽=0	GENERAL TOLERANCES (UNLESS SPECIFIED)				
▽=0		mm	INCH	EC NO: 702316	PRODUCT CUSTOMER DRAWING
	4 PLACES	±0.005	±----	DRWN: SREN05 2022/04/20	
	3 PLACES	±0.025	±----	CHK'D: WWANG99 2022/04/21	DOCUMENT NUMBER
	2 PLACES	±0.13	±----	APPR: HWANG186 2022/04/22	
DIVISIONAL SYMBOLS	1 PLACE	±0.25	±----	INITIAL REVISION:	735912086
	0 PLACES	±0.4	±----	DRWN: SREN05 2021/12/08	
	ANGULAR TOL ± 1.5 °		APPR: HWANG186 2022/03/01	DOC TYPE	DOC PART
	DRAFT WHERE APPLICABLE MUST REMAIN WITHIN DIMENSIONS		THIRD ANGLE PROJECTION	DRAWING	REVISION
			A3-SIZE	SERIES	73591
				MATERIAL NUMBER	0735912086
				CUSTOMER	GENERAL MARKET
					SHEET NUMBER
					1 OF 1