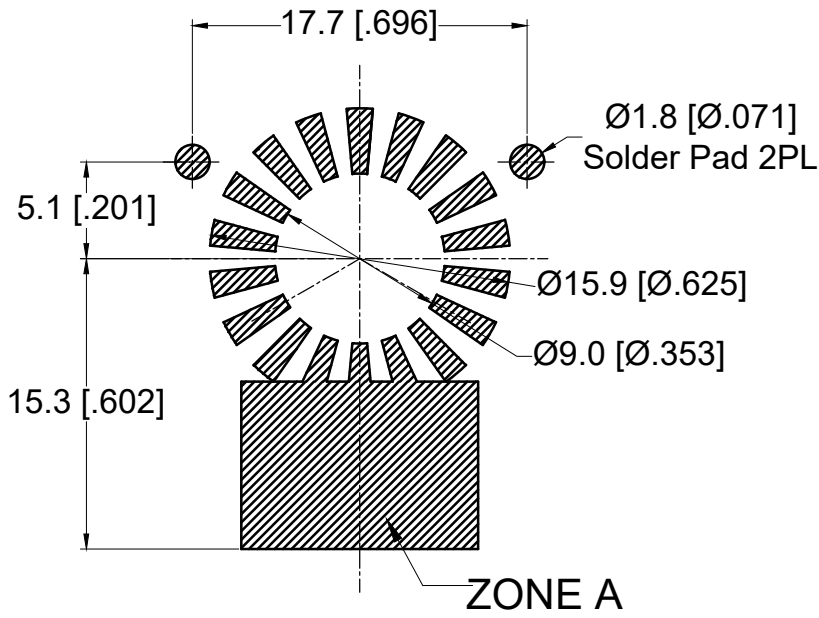


**RECOMMENDED LAND PATTERN :**

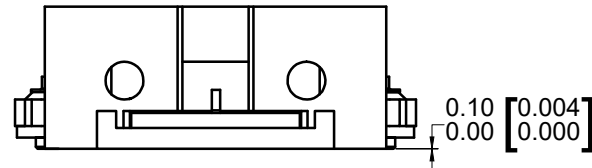
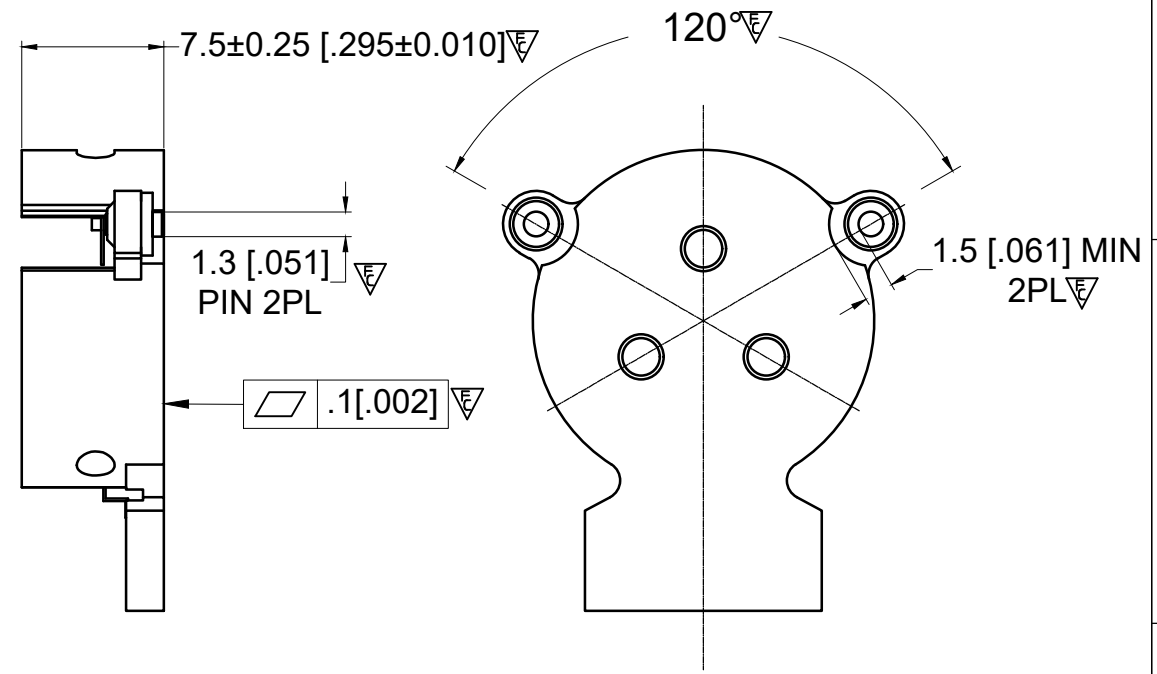
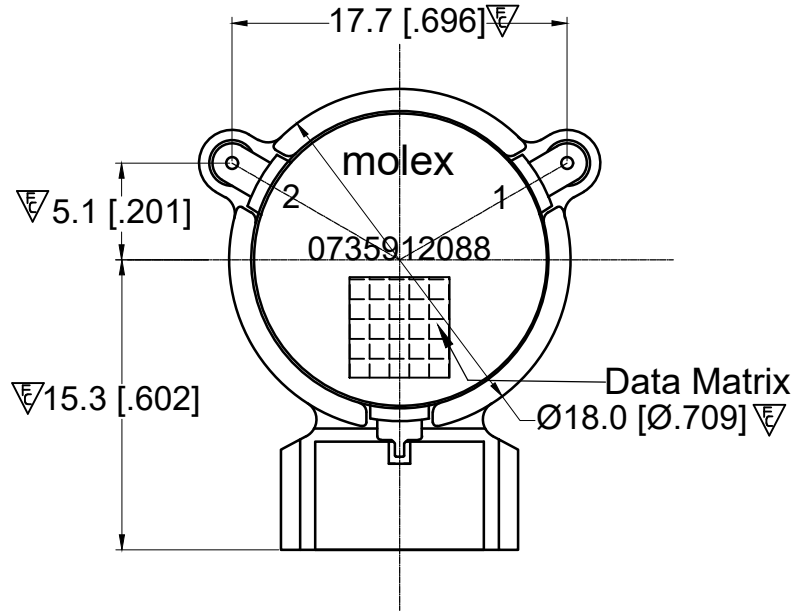
Zone A must be attached to heat sink. Thermal conductivity of intermediate layers between Zone A and heat sink must be better than 0.1 W / [°C x mm].



PCB MATERIAL:ROGERS 4350B 20MIL

**ELECTRICAL SPECIFICATION :**

Frequency Range : 2110 to 2170 MHz  
 Isolation (In Band) : 28 dB Min  
 Insertion Loss : 0.18 dB Max  
 FWD Power : 150W (CW)  
 Peak Power : 1000 W  
 REV Power : 60 W  
 Return Loss : 25 dB Min  
 IMD (2 x 65 W, 1 MHz space) : -70 dBc Max  
 2nd Harmonics : 10 dBc  
 3rd Harmonics : 5 dBc  
 Operating Temperature : -40°C to +120°C  
 +120°C to +130°C : power capacity and reliability no change ,  
 other spec.reduce 10%  
 Storage Temperature : -40°C to +130°C  
 Direction : CCW



BODY: CARBON STEEL, SILVER PLATED

RIGID PINS: COPPER, SILVER PLATED

**NOTES:**

1. STANDARD INPUT/OUTPUT IMPEDANCE 50 OHM
2. LEAD FREE, NO ND MATERIAL, BEO FREE
- 3.THE DIMENSION OF THE DATA MATRIX IS 5.3MM\*5.3MM, INFORMATION INCLUDED
- WORK ORDER NUMBER-SERIAL NUMBER-MATERIAL NUMBER
- 4.THIS PART COMPLIES WITH ALL ROHS REQUIREMENTS.

**ENG PART#: 811-211-217-WC140**

THIS DRAWING CONTAINS INFORMATION THAT IS PROPRIETARY TO MOLEX ELECTRONIC TECHNOLOGIES, LLC AND SHOULD NOT BE USED WITHOUT WRITTEN PERMISSION									
FUNCTIONAL SYMBOLS	DIMENSION UNITS	SCALE	CURRENT REV DESC:						
$\nabla=0$	MM	1:1	CHANGE ECTR RESTRICTED ***						
$\nabla=0$	GENERAL TOLERANCES (UNLESS SPECIFIED)		molex						
$\nabla=0$			SMSJ ISOLATOR/2110~2170MHZ/CCW						
DIVISIONAL SYMBOLS	mm INCH		PRODUCT CUSTOMER DRAWING						
4 PLACES	±0.005	±----	EC NO: 702316						
3 PLACES	±0.025	±----	DRWN: SREN05	2022/04/20					
2 PLACES	±0.13	±----	CHK'D: WWANG99	2022/04/21					
1 PLACE	±0.25	±----	APPR: HWANG186	2022/04/22					
0 PLACES	±0.4	±----	INITIAL REVISION:						
	ANGULAR TOL ± 1.5 °		DRWN: SREN05	2021/12/08					
			APPR: HWANG186	2022/03/01					
DRAFT WHERE APPLICABLE MUST REMAIN WITHIN DIMENSIONS	THIRD ANGLE PROJECTION	DRAWING	SERIES	MATERIAL NUMBER	CUSTOMER	SHEET NUMBER			
		A3-SIZE	73591	0735912088	GENERAL MARKET	1 OF 1			