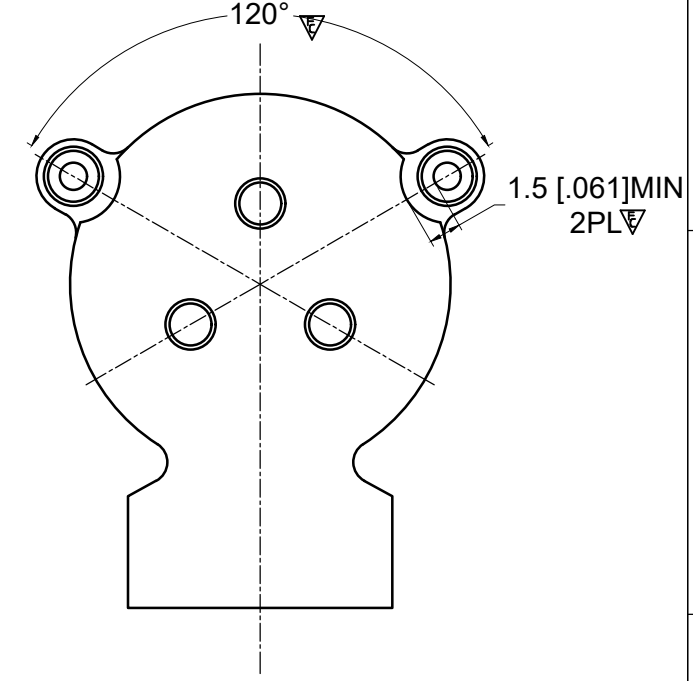
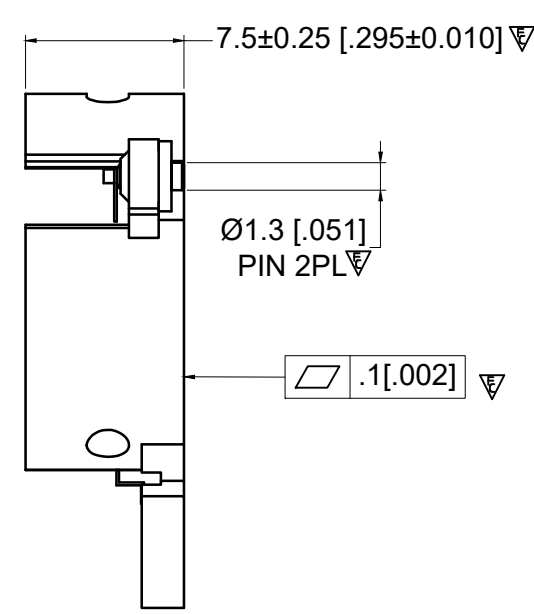
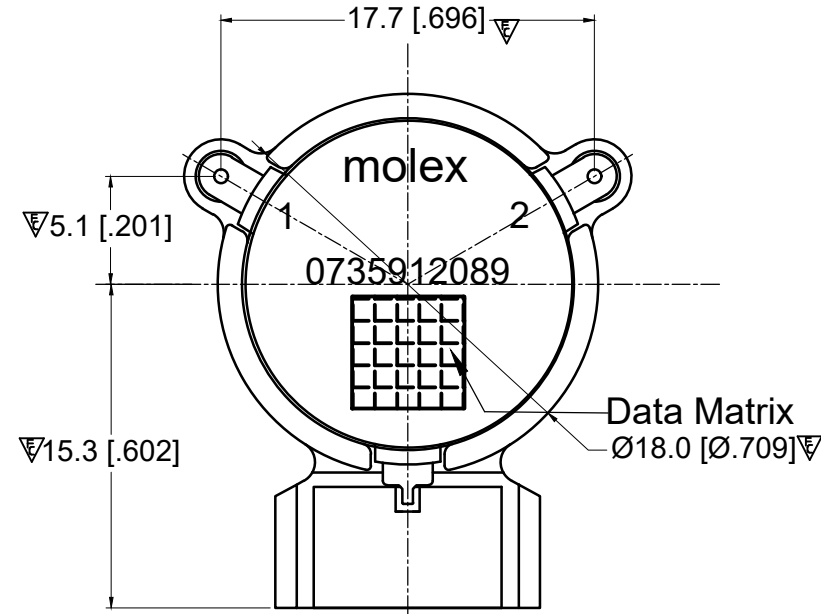
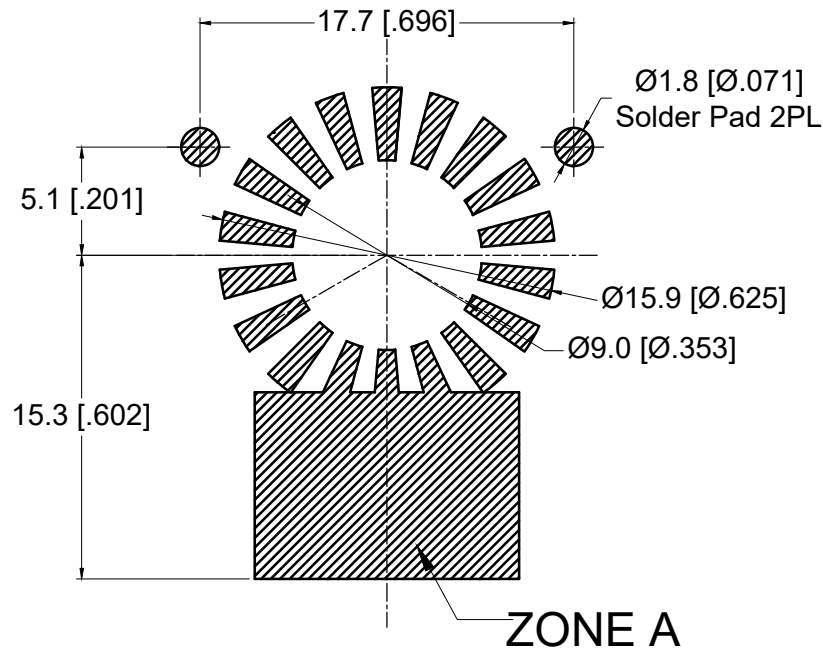
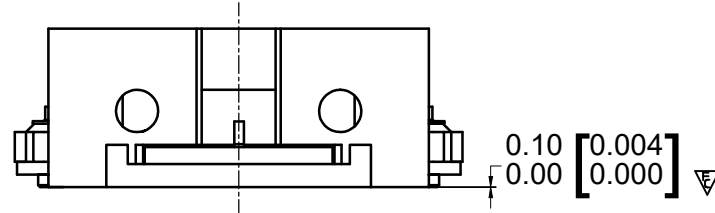


RECOMMENDED LAND PATTERN :

Zone A must be attached to heat sink. Thermal conductivity of intermediate layers between Zone A and heat sink must be better than 0.1 W / [°C x mm].



PCB MATERIAL:ROGERS 4350B 20MIL



ELECTRICAL SPECIFICATION :

- Frequency Range : 2620 to 2690 MHz
- Isolation : 28 dB Min
- Insertion Loss : 0.18 dB Max
- FWD Power : 150W (CW)
- Peak Power : 1000 W
- REV Power : 60 W
- Return Loss : 25 dB Min
- IMD (2 x 65 W, 1 MHz space) : -70 dBc Max
- 2nd Harmonics : 10 dBc
- 3rd Harmonics : 5 dBc
- Operating Temperature : -40°C to +120°C
- +120°C to +130°C : power capacity and reliability no change , other spec.reduce 10%
- Storage Temperature : -40°C to +130°C
- Direction : CW

BODY: CARBON STEEL, SILVER PLATED

RIGID PINS: COPPER, SILVER PLATED

NOTES:

1. STANDARD INPUT/OUTPUT IMPEDANCE 50 Ohm
2. LEAD FREE, NO Nd MATERIAL, BeO FREE
3. THE DIMENSION OF THE DATA MATRIX IS 5.3MM*5.3MM, INFORMATION INCLUDED WORK ORDER NUMBER-SERIAL NUMBER-MATERIAL NUMBER
4. THIS PART COMPLIES WITH ALL ROHS REQUIREMENTS.

ENG PART#: 801-262-269-WC140

THIS DRAWING CONTAINS INFORMATION THAT IS PROPRIETARY TO MOLEX ELECTRONIC TECHNOLOGIES, LLC AND SHOULD NOT BE USED WITHOUT WRITTEN PERMISSION									
FUNCTIONAL SYMBOLS	DIMENSION UNITS	SCALE	CURRENT REV DESC:						
MM	1:1	CHANGE ECTR RESTRICTED ***							
GENERAL TOLERANCES (UNLESS SPECIFIED)			EC NO: 702316						
mm			DRWN: SREN05 2022/04/20						
INCH			CHK'D: WWANG99 2022/04/21						
4 PLACES ±0.005 ±----			APPR: HWANG186 2022/04/22						
3 PLACES ±0.025 ±----			INITIAL REVISION:						
2 PLACES ±0.13 ±----			DRWN: SREN05 2021/12/08						
1 PLACE ±0.25 ±----			APPR: HWANG186 2022/03/01						
0 PLACES ±0.4 ±----			ANGULAR TOL ± 1.5 °						
DRAFT WHERE APPLICABLE MUST REMAIN WITHIN DIMENSIONS			THIRD ANGLE PROJECTION			DRAWING		SERIES	
			A3-SIZE			73591		MATERIAL NUMBER	
						0735912089		CUSTOMER	
						GENERAL MARKET		SHEET NUMBER	
						1 OF 1			