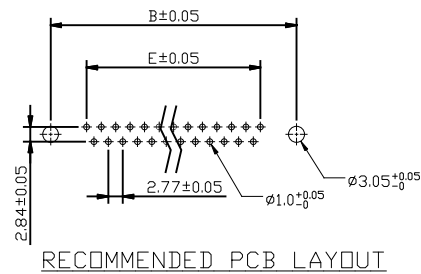
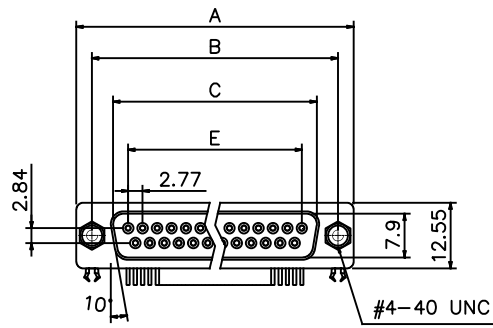


REVISIONS			
REV	DESCRIPTION, EGN, EAR NO.	DATE	APP'D
A	DRAWING PER EAR XXXX	TBD	TBD



Product Specification

Material

Insulator : Glass-Filled Thermoplastic PBT, UL94V-0

Contact : Brass

Shell : Steel, 100u" Tin Over 50u" min Copper

Clinch Nut : Copper alloy, Nickel Plated.

Boardlock : Brass, Tin Plated.

Screwlock : Steel, Nickel Plated.

Electrical

Contact Resistance : 20 milliohms

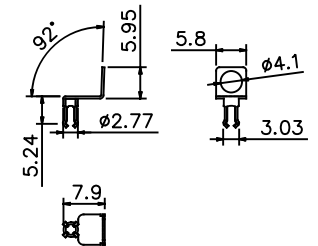
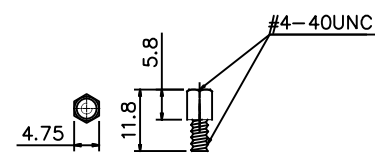
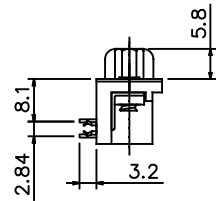
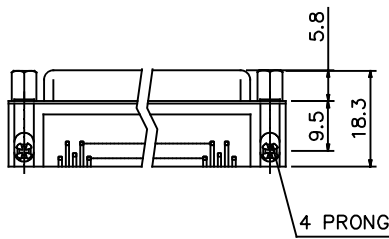
Max at 1 AMP DC.

Insulation Resistance : 1000
magohms at 500 VDC

Dielectric Withstanding Voltage :
1000 VAC/rms 60Hz for 1 minute

Current Rating : 3AMP

Volatge Rating : 250 VAC/rms 60Hz



#4-40 unc screwlock installed

7.2mm Footprint

Dimensions

Positions	A	B	C	E
9	30.81	24.99	16.92	11.08
15	39.20	33.30	25.25	19.39
25	53.05	47.04	38.96	33.24
37	69.40	63.50	55.42	49.86

ORDERING CODE: NFD17-CXXSA-FC1D-A

NUMBER OF CONTACTS:

09: 09 POSITION

15: 15 POSITION

25: 25 POSITION

37: 37 POSITION



UNLESS SPECIFIED OTHERWISE	DRAWN ED.LIU	JUL22/22
PRIMARY UNITS MILLIMETERS	CHECKED TBD	TBD
SECONDARY	M.E. APP'D	
REFERENCE IN PARENTHESES	Q.A. APP'D	
GENERAL TOLERANCES	DWG APP'D TBD	TBD
1 DECIMAL PLACE ±0.38	ENG. REL. NO. EAR XXXX	
2 DECIMAL PLACES ±0.25	REF.	
3 DECIMAL PLACES	THIRD ANGLE PROJECTION	DO NOT SCALE DRAWING
ANGULAR DEGREES ±2°		

Amphenol Canada Corp.
Commercial Products

NFD17 SERIES D-SUB, 37 SIZE
SOCKET, R/A P.C.B TAIL,
RoHS COMPLIANT

DWG NO.	REV
P-NFD17-CXXSA-FC1D-A	A
CODE ID NO. 03554	DWG SIZE X SCALE XX:1 SHEET 1 OF 1