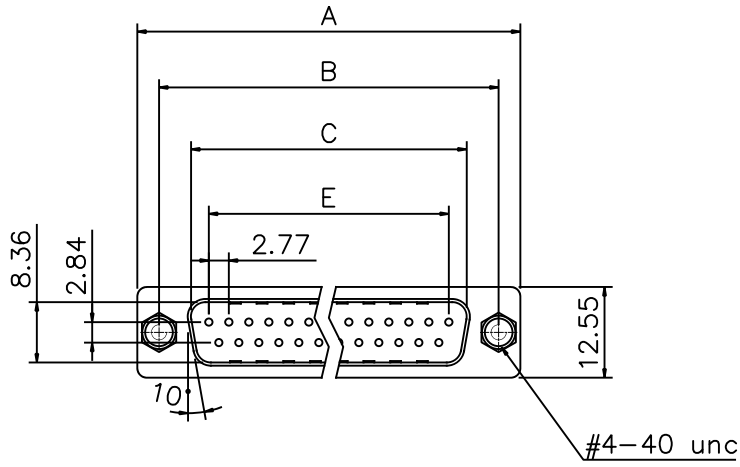
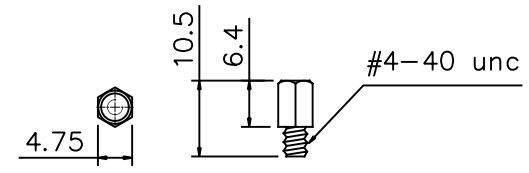
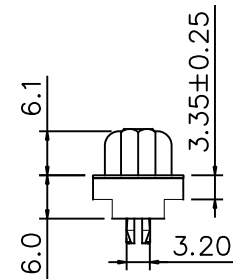
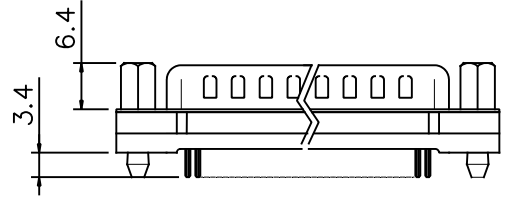


REVISIONS			
REV	DESCRIPTION, ECN, EAR NO.	DATE	APP'D
A	DRAWING PER EAR XXXX	TBD	TBD

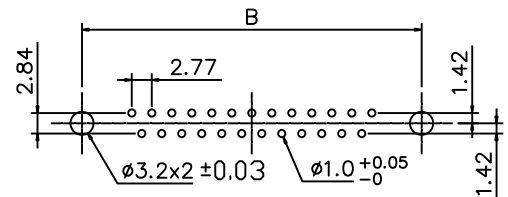


Product Specification
 Material
 Insulator : Glass-Filled Thermoplastic PBT BLACK, UL94V-0
 Contact : Copper alloy
 Shell : Steel, 60u" Nickel Over 50u" min Copper
 Boardlock : Brass, Tin Plated.
 Screwlock :Steel, 60u" min Nickel Plated.

Electrical
 Contact Resistance : 20 milliohms
 Max at 1 AMP DC.
 Insulation Resistance : 1000
 megohms at 500 VDC
 Dielectric Withstanding Voltage :
 1000 VAC/rms 60Hz for 1 minute
 Current Rating : 3 AMP
 Volatge Rating : 250 VAC/rms 60Hz



#4-40 unc screwlock installed



Recomended PCB Layout

ORDERING CODE: NFD17-CXXPA-FE1D-A

NUMBER OF CONTACTS:

- 09: 09 POSITION
- 15: 15 POSITION
- 25: 25 POSITION
- 37: 37 POSITION

Dimensions

Positions	A	B	C	E
9	30.81	24.99	16.92	11.08
15	39.20	33.30	25.25	19.39
25	53.05	47.04	38.96	33.24
37	69.40	63.50	55.42	49.86

UNLESS SPECIFIED OTHERWISE	DRAWN ED.LIU	JUL22/22	Amphenol Canada Corp.	
PRIMARY UNITS MILLIMETERS	CHECKED TBD	TBD	Commercial Products	
SECONDARY	M.E. APP'D		NFD17 SERIES D-SUB, 37 SIZE	
REFERENCE IN PARENTHESES	Q.A. APP'D		PIN, VERTICAL P.C.B TAIL,	
GENERAL TOLERANCES	DWG APP'D TBD	TBD	RoHS COMPLIANT	
1 DECIMAL PLACE ±0.38	ENG. REL. NO. EAR XXXX		DWG NO.	REV
2 DECIMAL PLACES ±0.25	REF.		P-NFD17-CXXPA-FE1D-A A	
3 DECIMAL PLACES	THIRD ANGLE PROJECTION	DO NOT SCALE DRAWING	CODE ID NO. 03554	DWG SIZE X
ANGULAR DEGREES ±2°			SCALE XX:1	SHEET 1 OF 1