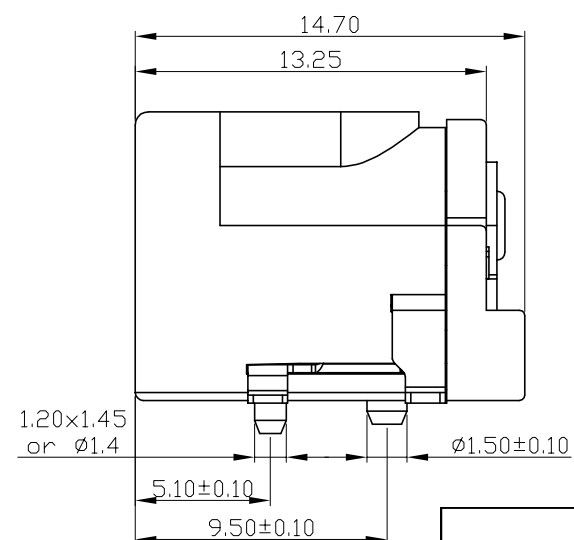
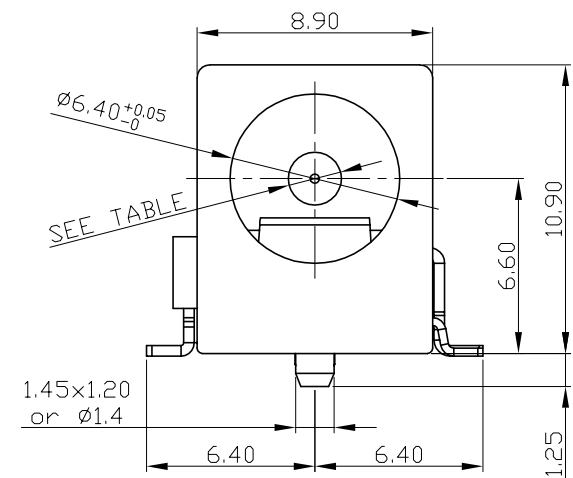
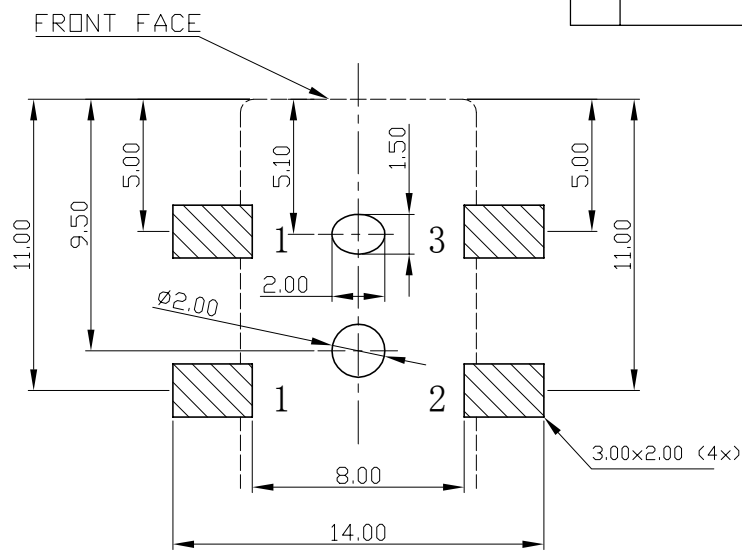
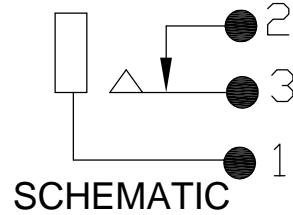
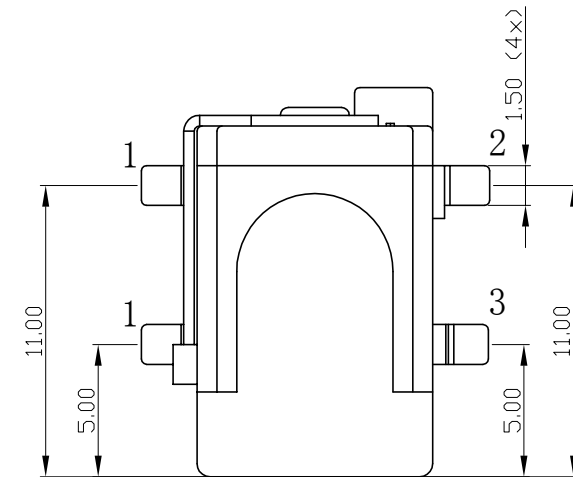


| DESCRIPTION | QTY | MATERIAL | FINISH / COLOUR |
|-------------|-----|-------------|-----------------|
| COVER | 1 | LCP | BLACK |
| HOUSING | 1 | LCP | BLACK |
| CENTRE PIN | 1 | BRASS | NICKEL PLATED |
| CONTACT 1 | 1 | BRASS | TIN PLATED |
| CONTACT 2 | 1 | BRASS | TIN PLATED |
| CONTACT 3 | 1 | PHOS BRONZE | TIN PLATED |



| ISS. | AMEND | DATE |
|------|--------------------|----------|
| 1 | ISSUED | 16/10/12 |
| 2 | ERR WAS 1000x/REEL | 07/08/13 |
| 3 | UPDATE PEG DIMS | 24/10/16 |



| VARIANTS | | | |
|-----------|--------------|-------|---------------------|
| PART No. | DESCRIPTION | PIN Ø | SUPPLIED |
| FC68148S | SMD DC10-AS | Ø2.1 | BAGGED / LOOSE |
| FC68149S | SMD DC10-BS | Ø2.5 | BAGGED / LOOSE |
| FC68148ST | SMDT DC10-AS | Ø2.1 | TAPED 250x PER REEL |
| FC68149ST | SMDT DC10-BS | Ø2.5 | TAPED 250x PER REEL |

INSERTION / WITHDRAWAL FORCE: 0.3-2 qgf
 CONTACT RESISTANCE (4 TERMINAL METHOD 1KHz @ <100mA)
 INITIAL PLUG / CONTACT <50mΩ
 CONTACT / SHUNT <30mΩ
 AFTER LIFE TEST PLUG / CONTACT <100mΩ
 CONTACT / SHUNT <60mΩ
 ELECTRICAL RATING 2A / 12V

RoHS COMPLIANT

TOLERANCE
 NO DEC. PLACE ± 0.50
 1 DEC. PLACE ± 0.30
 2 DEC. PLACE ± 0.15
 HOLE Ø ± 0.10
 ANGLES ± 2°
 UNLESS OTHERWISE STATED

Cliff Electronic Components Ltd.

76 Holmethorpe Avenue, Holmethorpe Industrial Estate,
Redhill, Surrey, RH1 2PF, England, UK
Tel: 01737-771375 Fax: 01737-766012 Website: www.cliffuk.co.uk

DIMENSIONS IN MILLIMETERS UNLESS OTHERWISE STATED. WORK TO DIMENSIONS. REMOVE ALL BURRS. IF IN DOUBT ASK.

3rd ANGLE PROJECTION:

DO NOT SCALE

MATERIAL: SEE TABLE

TITLE: SMD SOCKET DC-10AS 2.1mm + DC-10BS 2.5mm

FINISH: CLEAN

DRWG. No. **FC68148S**

THE CONTENTS OF THIS DOCUMENT MUST NOT BE COPIED OR DISCLOSED TO A 3rd PARTY WITHOUT WRITTEN PERMISSION OF CLIFF UK. © 2012

DRAWN: T.J.O.

APPROVED: D.P.J.

FORM: A4DRWGH