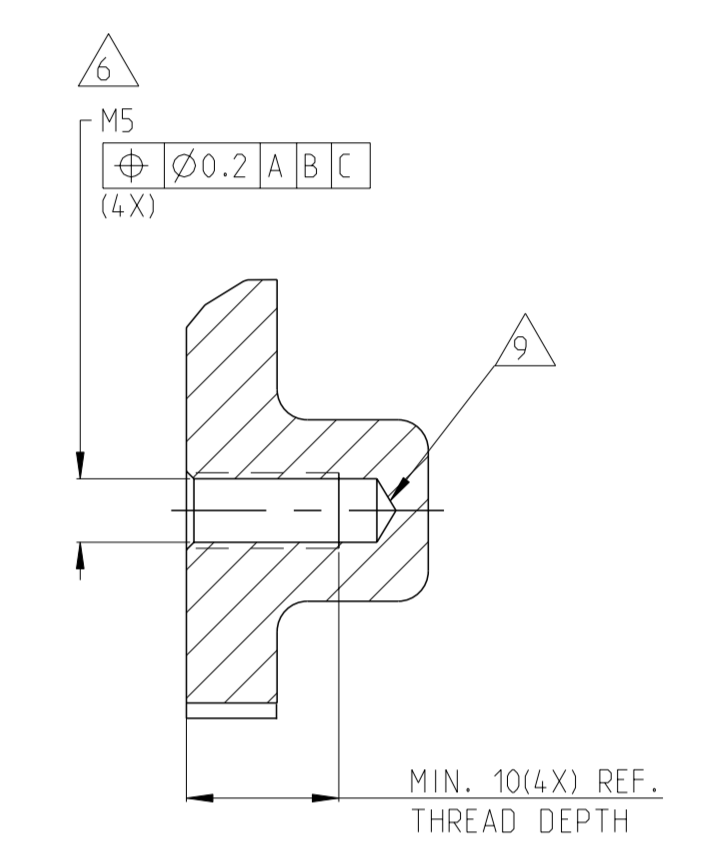
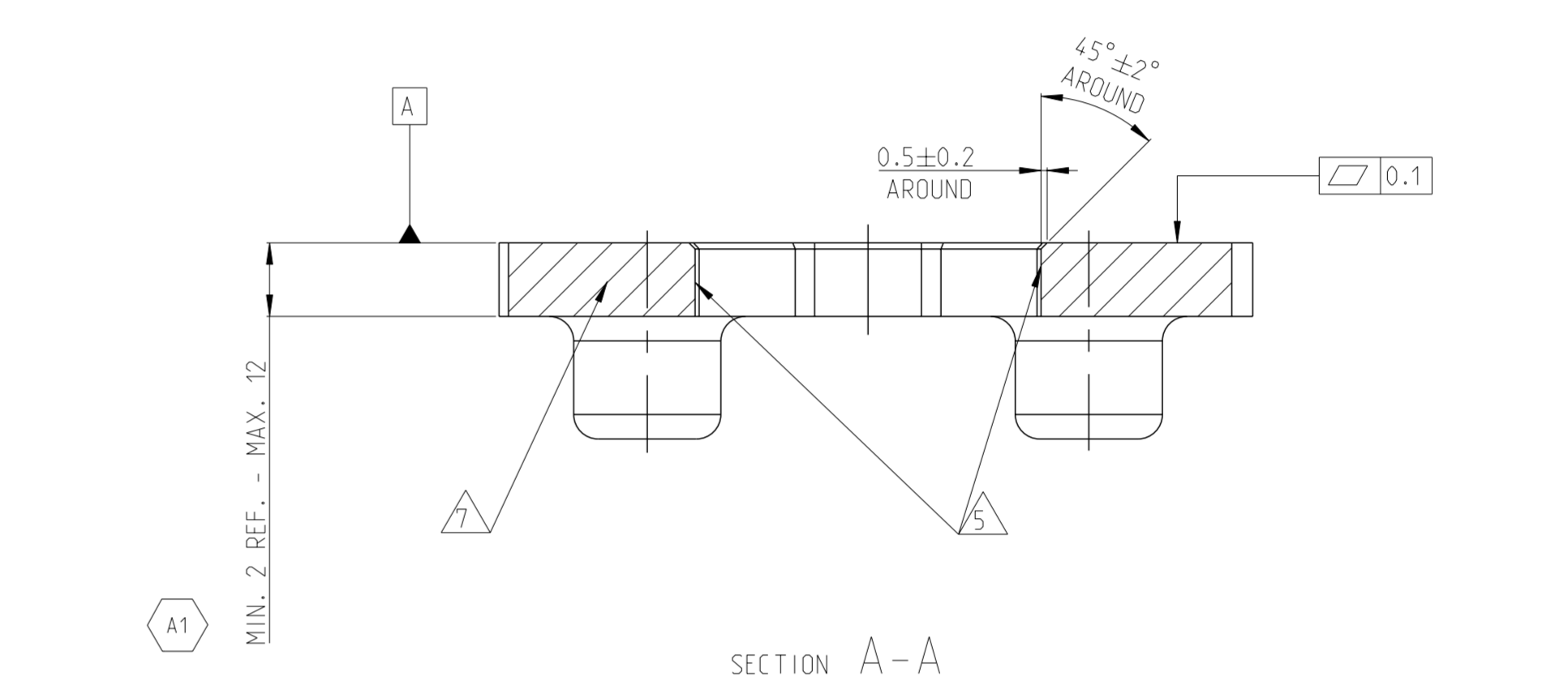
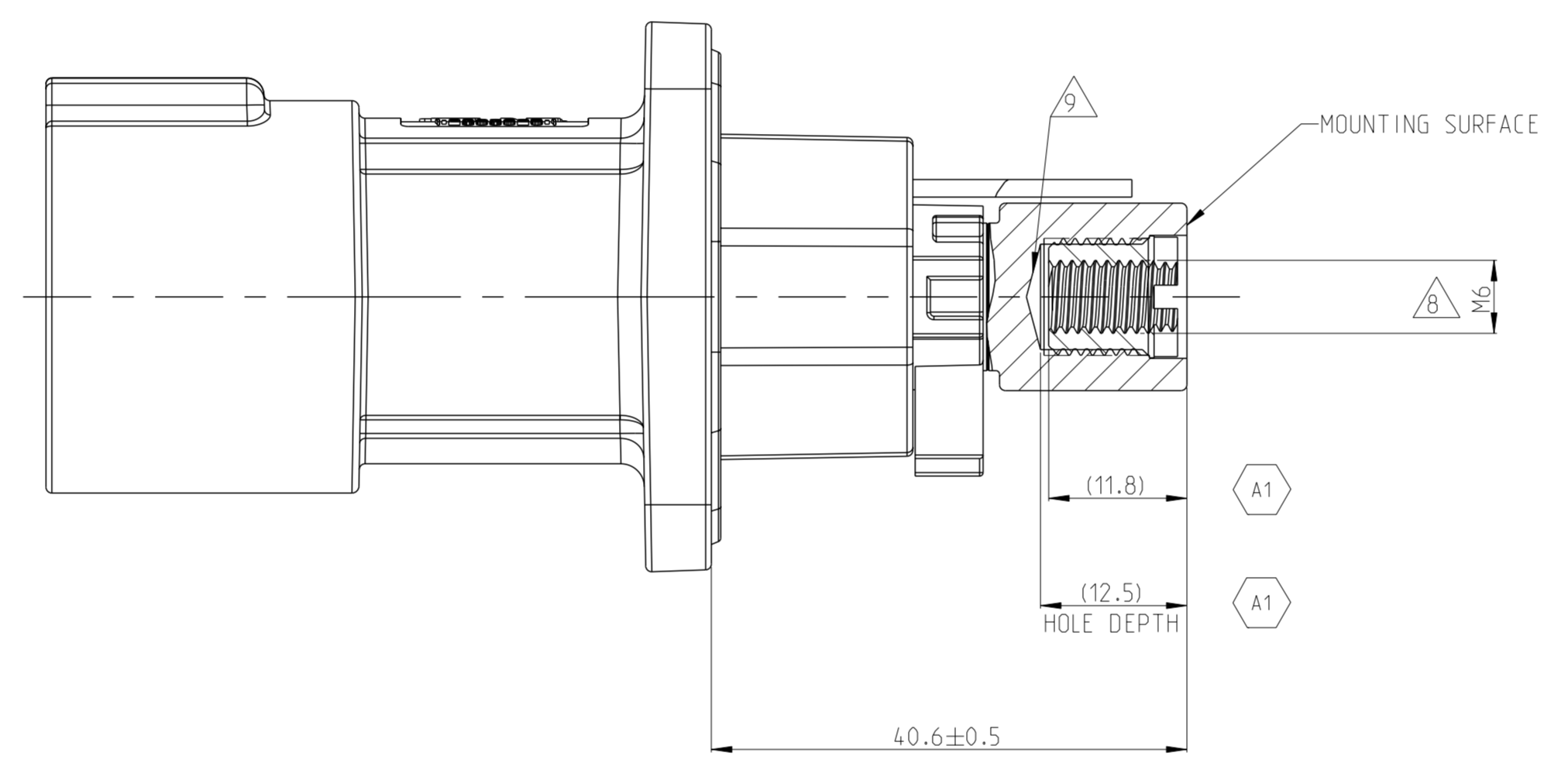
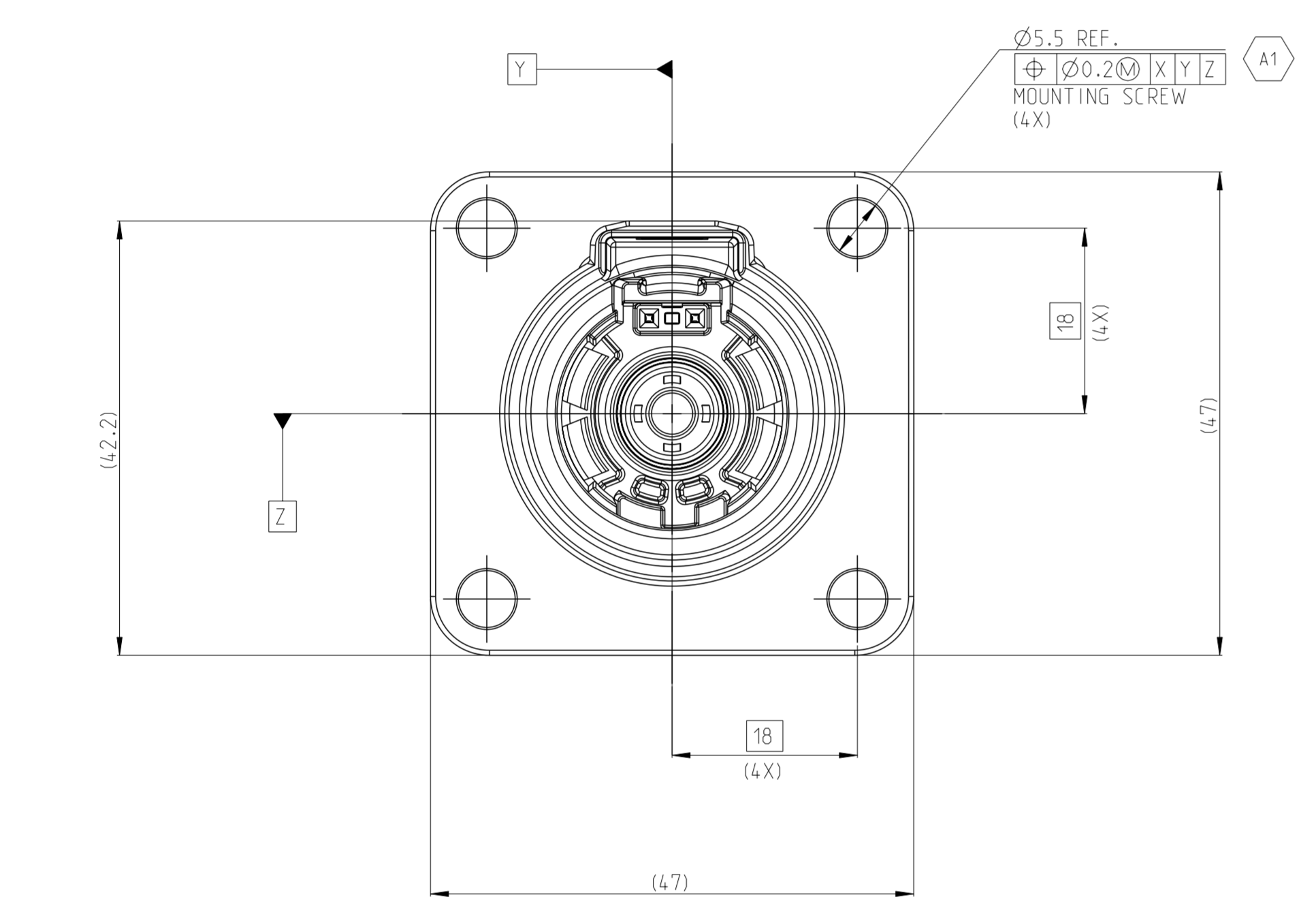
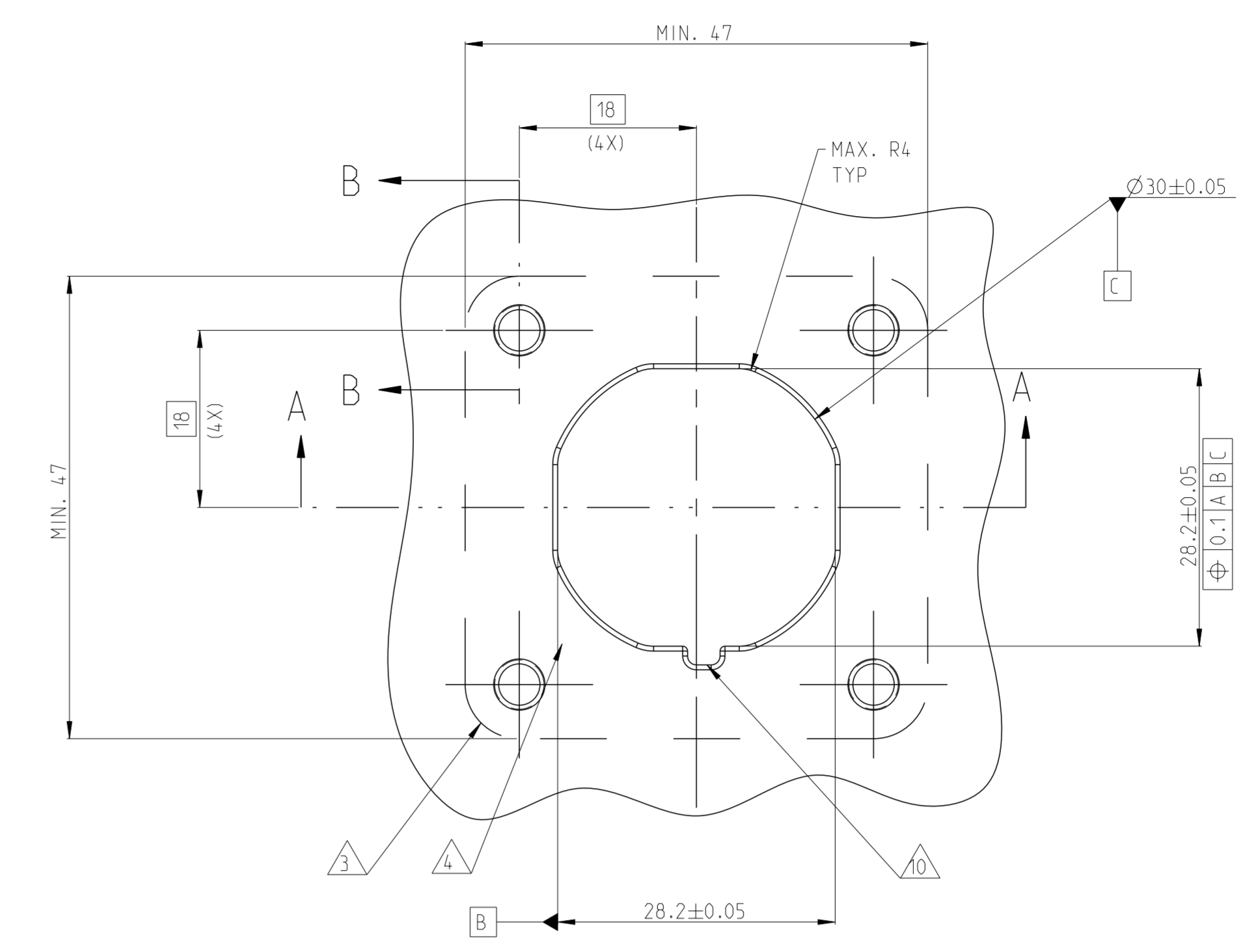
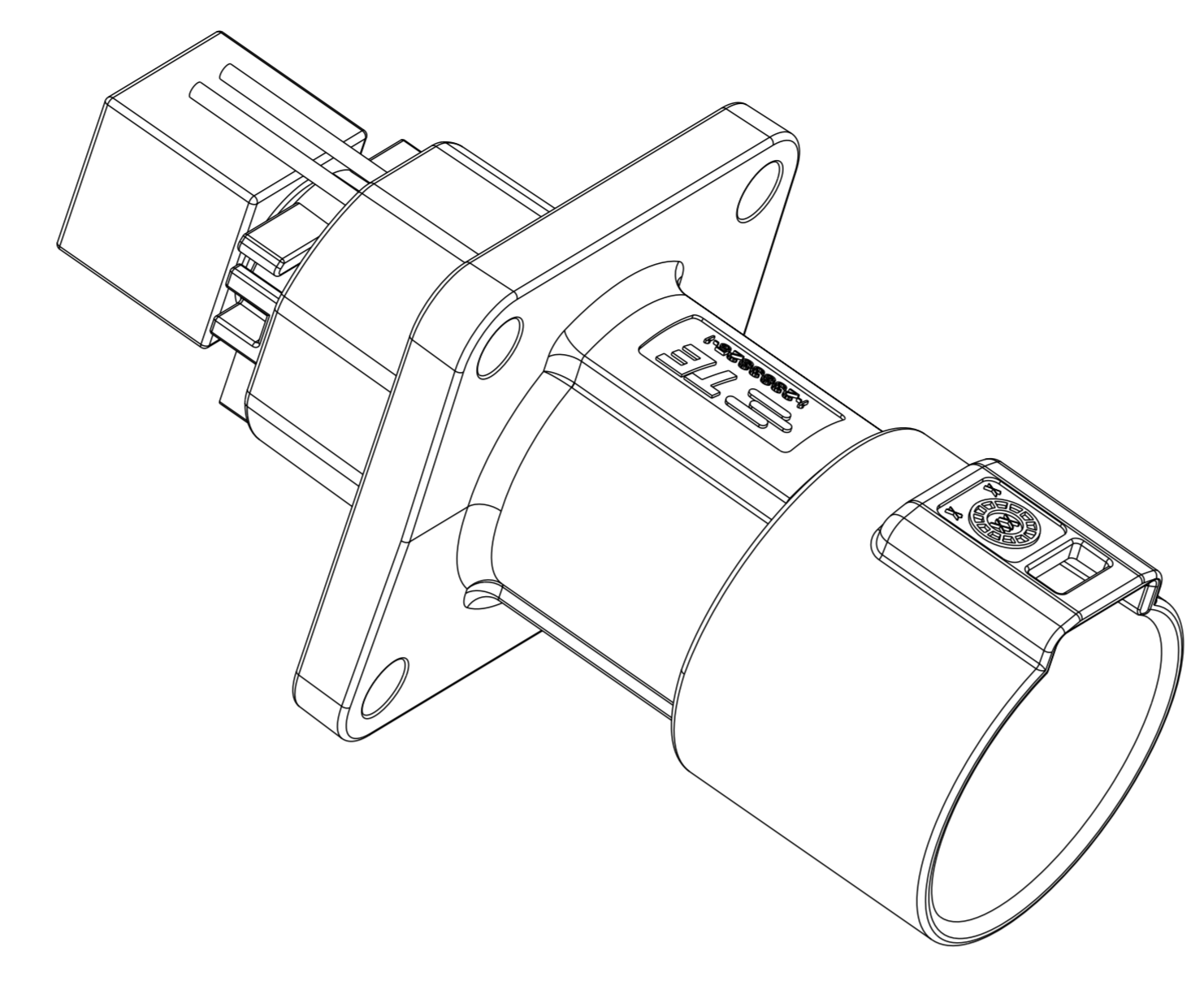
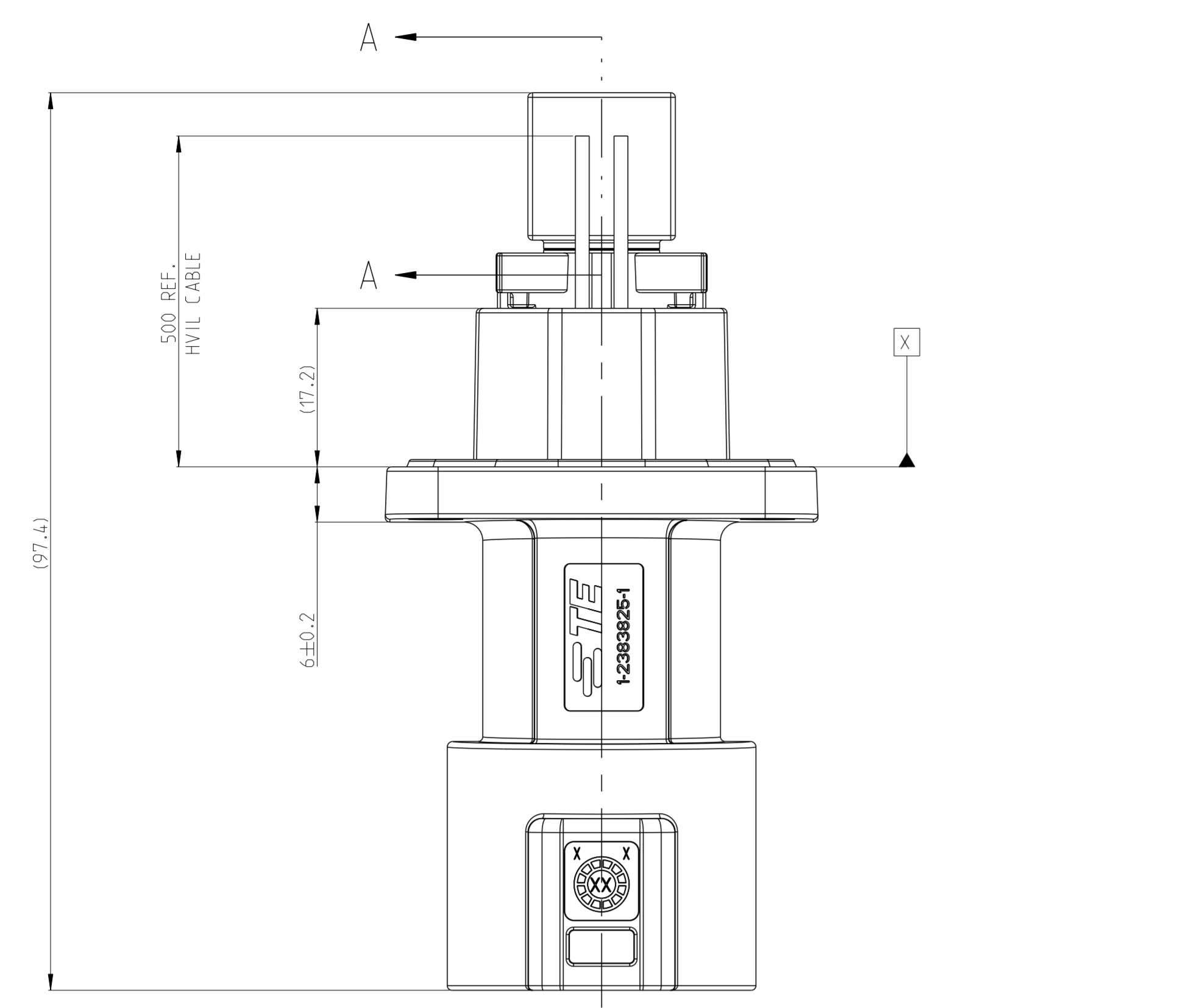
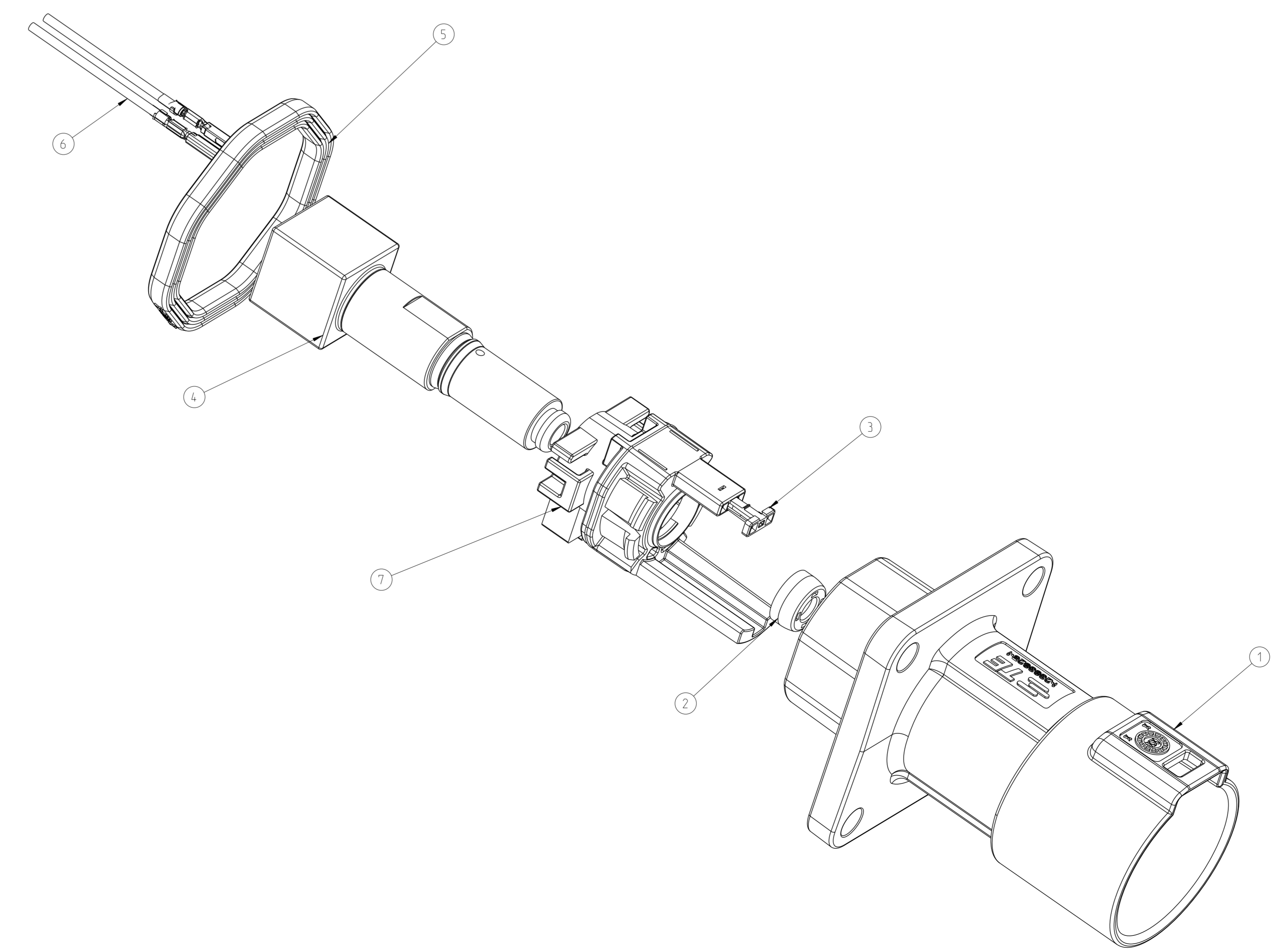


REVISIONS			
REV	DATE	BY	APPD
A	30MAY2021	P.L.	I.Y.
A1	04MAY2022	C.C.	Z.Z.

ADAPTER PLATE - HVP-HD1000 1POS HEADER INTERFACE



SECTION A-A



- 1. MATING CONNECTOR REFER TO DRAWING 2394115
- △ CODING VARIANT
- △ FREE SPACE FOR HEADER
- △ SEALING AREA NO BURR, TOOL PARTING, SHRINKAGE, CAVITIES AND GATE MARKS PERMITTED. SURFACE ROUGHNESS: Ra <= 1.6
- △ DRAFT ANGLE UP TO 0.5° PERMITTED
- △ MOUNTING SCREW M5
- △ SCREW TYPE UP TO MANUFACTURER, DRILL HOLE DESIGN ACCORDING TO SCREW TYPE
- △ MATERIAL: CORROSION RESISTANT, ELECTROCONDUCTIVE
- △ SCREW INSERT M6 FOR BUSBAR CONNECTION
- △ ALL THREAD HOLES ARE BLIND HOLES
- △ INTERFACE PANEL CODE SEE SHEET 5

TE-ASSY-NO.	CODE	DESCRIPTION	DESCRIPTION	CODE	MATERIAL	SURFACE COLOR	WEIGHT (g)	QTY	ITEM
9-2394060-3	M	1POS,PIN DIA 10.0 HDR ASSY,180DEG	CODE HOUSING FOLLOW 8-2394060-1	M	PA66-GF	AQUA RED	(14.0)	1	7
9-2394060-2	L	1POS,PIN DIA 10.0 HDR ASSY,180DEG	CODE HOUSING FOLLOW 8-2394060-1	L	PA66-GF	AQUA BROWN	(14.0)	1	7
9-2394060-1	K	1POS,PIN DIA 10.0 HDR ASSY,180DEG	CODE HOUSING FOLLOW 8-2394060-1	K	PA66-GF	AQUA GREEN	(14.0)	1	7
8-2394060-9	J	1POS,PIN DIA 10.0 HDR ASSY,180DEG	CODE HOUSING FOLLOW 8-2394060-1	J	PA66-GF	ORANGE	(14.0)	1	7
8-2394060-8	H	1POS,PIN DIA 10.0 HDR ASSY,180DEG	CODE HOUSING FOLLOW 8-2394060-1	H	PA66-GF	YELLOW	(14.0)	1	7
8-2394060-7	G	1POS,PIN DIA 10.0 HDR ASSY,180DEG	CODE HOUSING FOLLOW 8-2394060-1	G	PA66-GF	RED	(14.0)	1	7
8-2394060-6	F	1POS,PIN DIA 10.0 HDR ASSY,180DEG	CODE HOUSING FOLLOW 8-2394060-1	F	PA66-GF	BROWN	(14.0)	1	7
8-2394060-5	E	1POS,PIN DIA 10.0 HDR ASSY,180DEG	CODE HOUSING FOLLOW 8-2394060-1	E	PA66-GF	GREEN	(14.0)	1	7
8-2394060-4	D	1POS,PIN DIA 10.0 HDR ASSY,180DEG	CODE HOUSING FOLLOW 8-2394060-1	D	PA66-GF	PURPLE	(14.0)	1	7
8-2394060-3	C	1POS,PIN DIA 10.0 HDR ASSY,180DEG	CODE HOUSING FOLLOW 8-2394060-1	C	PA66-GF	BLUE	(14.0)	1	7
8-2394060-2	B	1POS,PIN DIA 10.0 HDR ASSY,180DEG	CODE HOUSING FOLLOW 8-2394060-1	B	PA66-GF	NATURE	(14.0)	1	7
8-2394060-1	A	1POS,PIN DIA 10.0 HDR ASSY,180DEG	CODE HOUSING	A	PA66-GF	BLACK	(14.0)	1	7
			HV INTERLOCK TERMINAL WIRE	-	-	-		2	6
			FACE SEAL	-	SILICONE	RED		1	5
			BUSBAR, TOP SIDE	-	COPPER	Ag PLATED		1	4
			HEADER TPA	-	PA66-GF	RED		1	3
			FINGER PROTECTION CAP	-	PA66-GF	BLACK		1	2
HEADER HOUSING 180DEG	-	AL-ALLOY	NICKEL PLATED	1	1				

THIS DRAWING IS A CONTROLLED DOCUMENT.

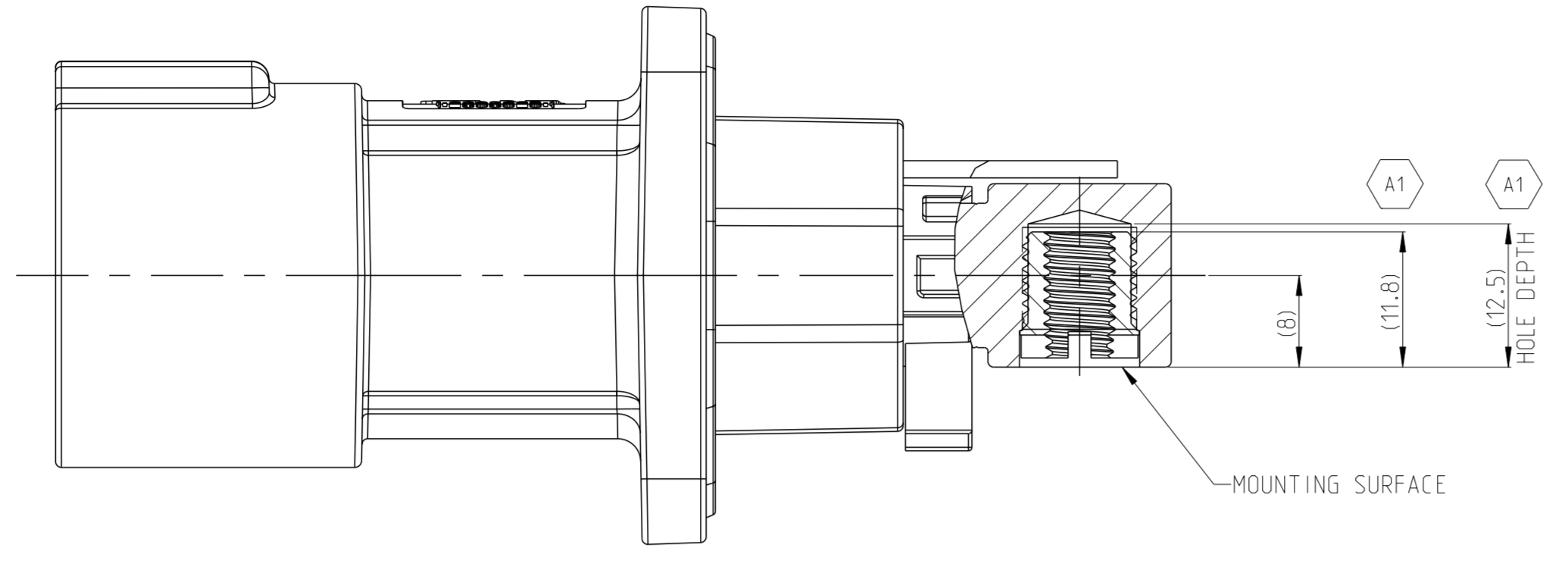
DATE	31DEC2021	REV	1
DATE	31DEC2021	REV	2

TE Connectivity

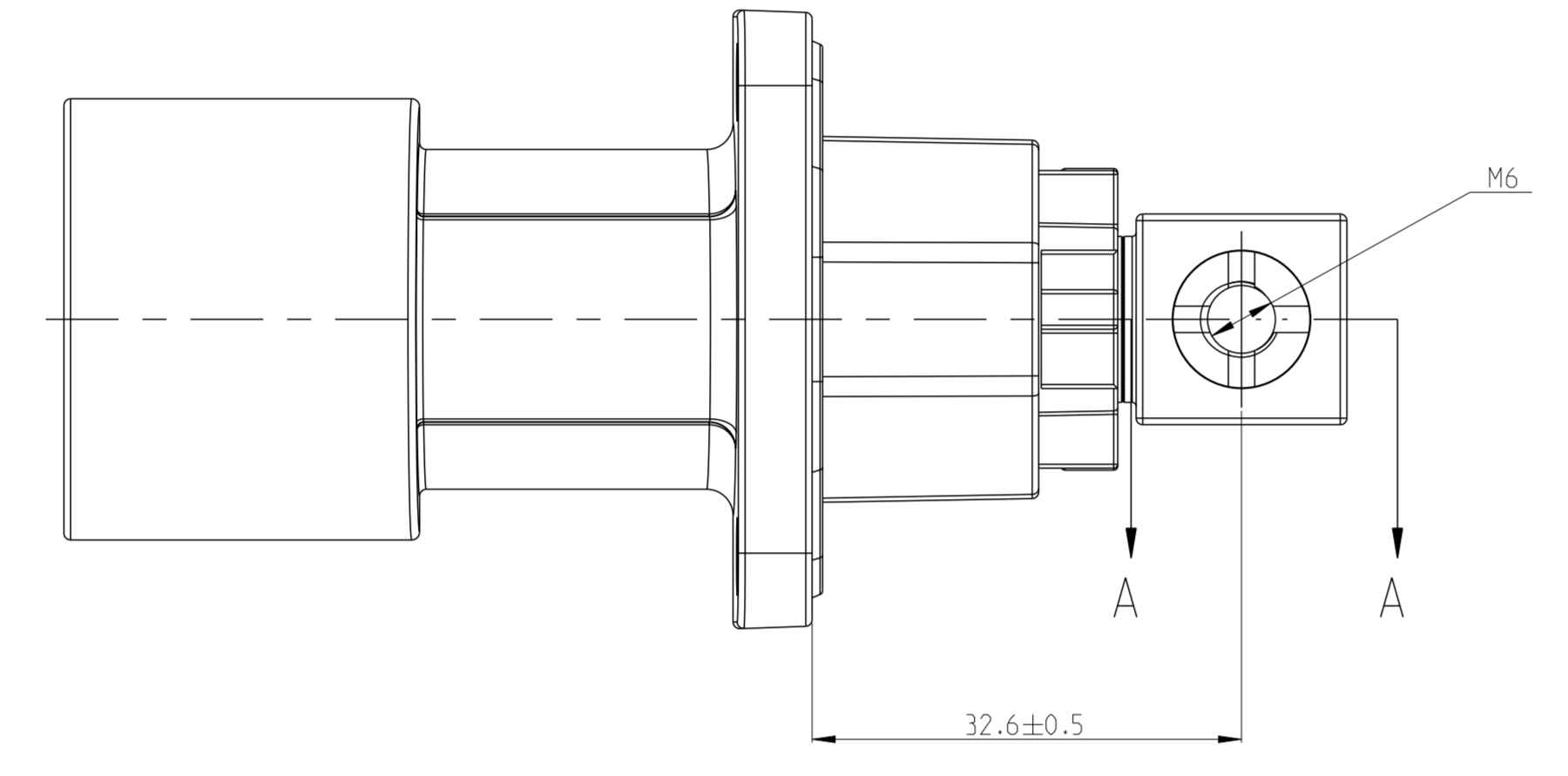
1POS,PIN DIA 10.0 HDR ASSY,180DEG  
HVP-HD1000

SCALE: 2:1 SHEET 1 OF 5

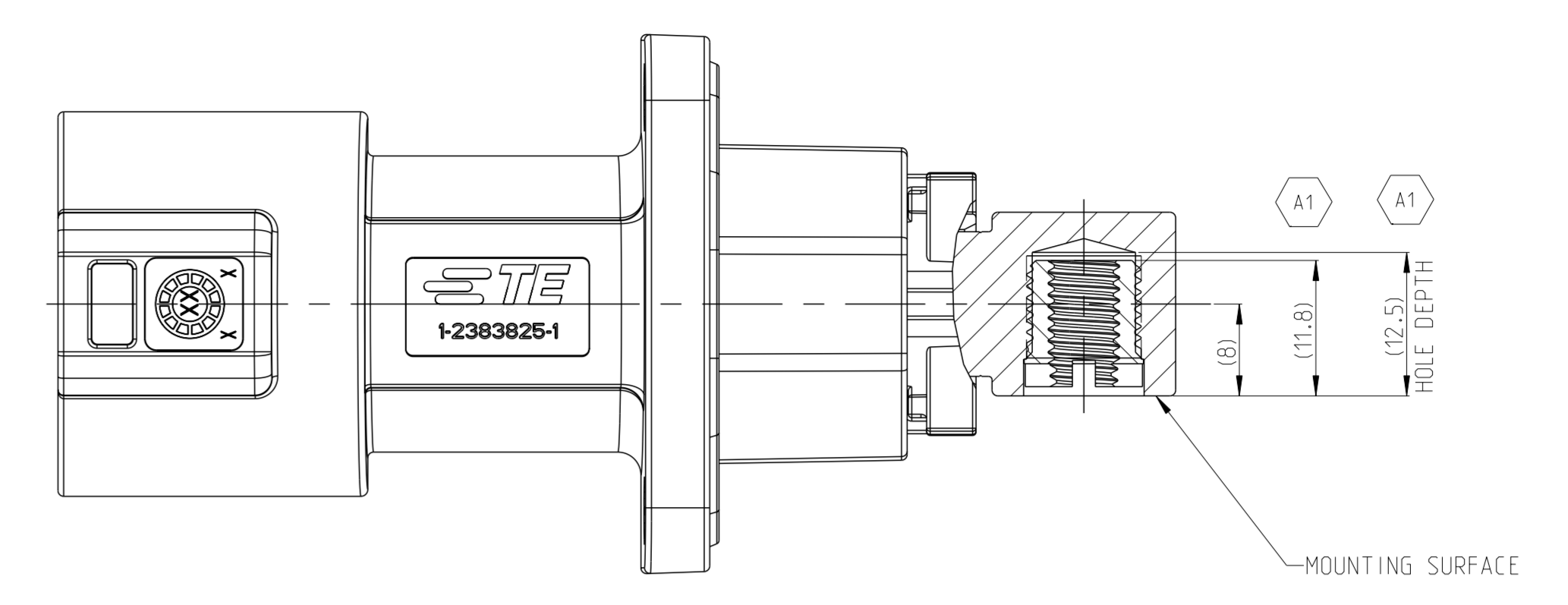
REVISIONS			
REV	DATE	BY	APPV
1			
SEE SHEET 1			



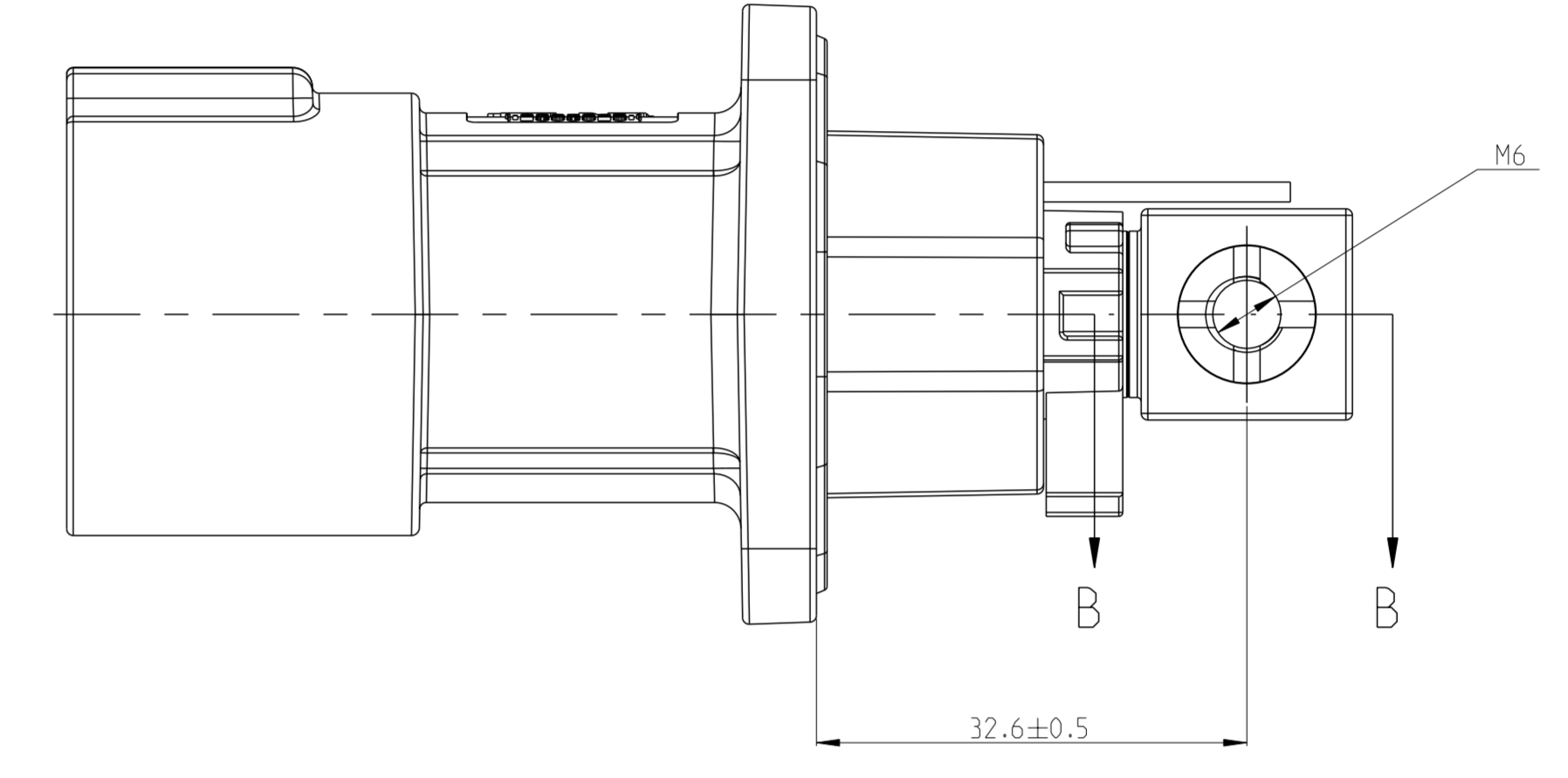
SECTION A-A



1. MISSING DIMENSIONS REFER TO 8-2394060-1



SECTION B-B



1. MISSING DIMENSIONS REFER TO 8-2394060-1

TE-ASSY-NO.	CODE	DESCRIPTION	DESCRIPTION	CODE	MATERIAL	SURFACE COLOR	WEIGHT (g)	QTY	ITEM
1-2394060-3	M	1POS.PIN DIA 10.0 HDR ASSY.180DEG	CODE HOUSING FOLLOW 2394060-1	M	PA66-GF	AQUA RED	(140)	1	7
								-	1-6
1-2394060-2	L	1POS.PIN DIA 10.0 HDR ASSY.180DEG	CODE HOUSING FOLLOW 2394060-1	L	PA66-GF	AQUA BROWN	(140)	1	7
								-	1-6
1-2394060-1	K	1POS.PIN DIA 10.0 HDR ASSY.180DEG	CODE HOUSING FOLLOW 2394060-1	K	PA66-GF	AQUA GREEN	(140)	1	7
								-	1-6
2394060-9	J	1POS.PIN DIA 10.0 HDR ASSY.180DEG	CODE HOUSING FOLLOW 2394060-1	J	PA66-GF	ORANGE	(140)	1	7
								-	1-6
2394060-8	H	1POS.PIN DIA 10.0 HDR ASSY.180DEG	CODE HOUSING FOLLOW 2394060-1	H	PA66-GF	YELLOW	(140)	1	7
								-	1-6
2394060-7	G	1POS.PIN DIA 10.0 HDR ASSY.180DEG	CODE HOUSING FOLLOW 2394060-1	G	PA66-GF	RED	(140)	1	7
								-	1-6
2394060-6	F	1POS.PIN DIA 10.0 HDR ASSY.180DEG	CODE HOUSING FOLLOW 2394060-1	F	PA66-GF	BROWN	(140)	1	7
								-	1-6
2394060-5	E	1POS.PIN DIA 10.0 HDR ASSY.180DEG	CODE HOUSING FOLLOW 2394060-1	E	PA66-GF	GREEN	(140)	1	7
								-	1-6
2394060-4	D	1POS.PIN DIA 10.0 HDR ASSY.180DEG	CODE HOUSING FOLLOW 2394060-1	D	PA66-GF	PURPLE	(140)	1	7
								-	1-6
2394060-3	C	1POS.PIN DIA 10.0 HDR ASSY.180DEG	CODE HOUSING FOLLOW 2394060-1	C	PA66-GF	BLUE	(140)	1	7
								-	1-6
2394060-2	B	1POS.PIN DIA 10.0 HDR ASSY.180DEG	CODE HOUSING FOLLOW 2394060-1	B	PA66-GF	NATURE	(140)	1	7
								-	1-6
2394060-1	A	1POS.PIN DIA 10.0 HDR ASSY.180DEG	CODE HOUSING	A	PA66-GF	BLACK	(140)	1	7
			HV INTERLOCK TERMINAL WIRE	-	-	-		2	6
			FACE SEAL	-	SILICONE	RED		1	5
			BUSBAR, FRONT SIDE	-	COPPER	Ag PLATED		1	4
			HEADER TPA	-	PA66-GF	RED		1	3
			FINGER PROTECTION CAP	-	PA66-GF	BLACK		1	2
			HEADER HOUSING 180DEG	-	AL-ALLOY	NICKEL PLATED		1	1

TE-ASSY-NO.	CODE	DESCRIPTION	DESCRIPTION	CODE	MATERIAL	SURFACE COLOR	WEIGHT (g)	QTY	ITEM
3-2394060-3	M	1POS.PIN DIA 10.0 HDR ASSY.180DEG	CODE HOUSING FOLLOW 2-2394060-1	M	PA66-GF	AQUA RED	(140)	1	7
								-	1-6
3-2394060-2	L	1POS.PIN DIA 10.0 HDR ASSY.180DEG	CODE HOUSING FOLLOW 2-2394060-1	L	PA66-GF	AQUA BROWN	(140)	1	7
								-	1-6
3-2394060-1	K	1POS.PIN DIA 10.0 HDR ASSY.180DEG	CODE HOUSING FOLLOW 2-2394060-1	K	PA66-GF	AQUA GREEN	(140)	1	7
								-	1-6
2-2394060-9	J	1POS.PIN DIA 10.0 HDR ASSY.180DEG	CODE HOUSING FOLLOW 2-2394060-1	J	PA66-GF	ORANGE	(140)	1	7
								-	1-6
2-2394060-8	H	1POS.PIN DIA 10.0 HDR ASSY.180DEG	CODE HOUSING FOLLOW 2-2394060-1	H	PA66-GF	YELLOW	(140)	1	7
								-	1-6
2-2394060-7	G	1POS.PIN DIA 10.0 HDR ASSY.180DEG	CODE HOUSING FOLLOW 2-2394060-1	G	PA66-GF	RED	(140)	1	7
								-	1-6
2-2394060-6	F	1POS.PIN DIA 10.0 HDR ASSY.180DEG	CODE HOUSING FOLLOW 2-2394060-1	F	PA66-GF	BROWN	(140)	1	7
								-	1-6
2-2394060-5	E	1POS.PIN DIA 10.0 HDR ASSY.180DEG	CODE HOUSING FOLLOW 2-2394060-1	E	PA66-GF	GREEN	(140)	1	7
								-	1-6
2-2394060-4	D	1POS.PIN DIA 10.0 HDR ASSY.180DEG	CODE HOUSING FOLLOW 2-2394060-1	D	PA66-GF	PURPLE	(140)	1	7
								-	1-6
2-2394060-3	C	1POS.PIN DIA 10.0 HDR ASSY.180DEG	CODE HOUSING FOLLOW 2-2394060-1	C	PA66-GF	BLUE	(140)	1	7
								-	1-6
2-2394060-2	B	1POS.PIN DIA 10.0 HDR ASSY.180DEG	CODE HOUSING FOLLOW 2-2394060-1	B	PA66-GF	NATURE	(140)	1	7
								-	1-6
2-2394060-1	A	1POS.PIN DIA 10.0 HDR ASSY.180DEG	CODE HOUSING	A	PA66-GF	BLACK	(140)	1	7
			HV INTERLOCK TERMINAL WIRE	-	-	-		2	6
			FACE SEAL	-	SILICONE	RED		1	5
			BUSBAR, RIGHT SIDE	-	COPPER	Ag PLATED		1	4
			HEADER TPA	-	PA66-GF	RED		1	3
			FINGER PROTECTION CAP	-	PA66-GF	BLACK		1	2
			HEADER HOUSING 180DEG	-	AL-ALLOY	NICKEL PLATED		1	1

THIS DRAWING IS A CONTROLLED DOCUMENT.

DATE	31DEC2021
CHK	LL
DATE	31DEC2021
CHK	LL
DATE	31DEC2021
CHK	LL

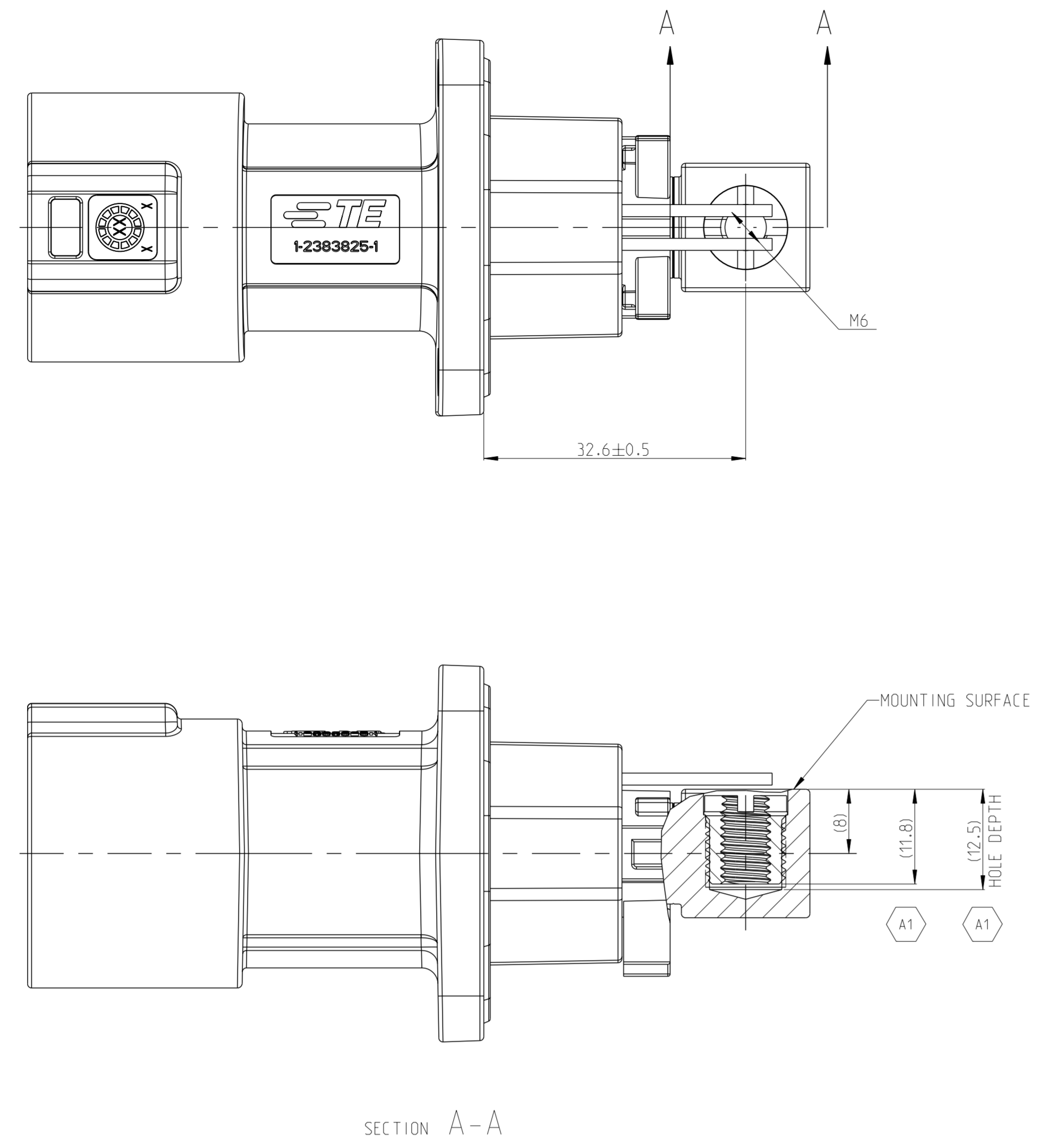
STE TE Connectivity

1POS.PIN DIA 10.0 HDR ASSY.180DEG  
HVP-HD1000

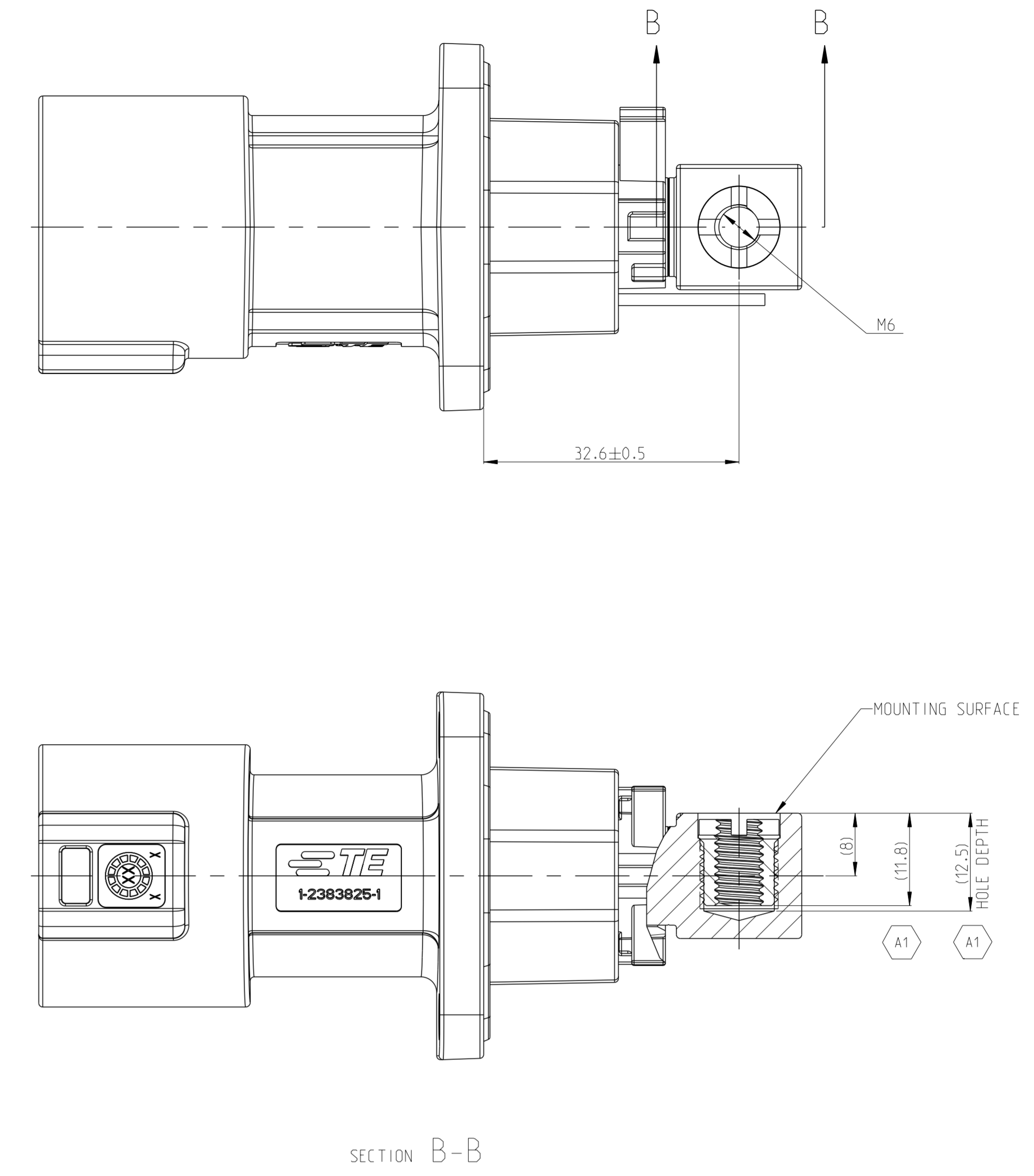
108-160341  
APPLICATION SPEC 114-160181

SCALE 2:1 SHEET 2 OF 5

REVISIONS			
REV	DATE	BY	APPD
1			
SEE SHEET 1			



1. MISSING DIMENSIONS REFER TO 8-2394060-1



1. MISSING DIMENSIONS REFER TO 8-2394060-1

TE-ASSY-NO.	CODE	DESCRIPTION	DESCRIPTION	CODE	MATERIAL	SURFACE COLOR	WEIGHT (g)	QTY	ITEM
5-2394060-3	M	1POS.PIN DIA 10.0 HDR ASSY,180DEG	CODE HOUSING	M	PA66-GF	AQUA RED	(14.0)	1	7
			FOLLOW 4-2394060-1	-	-	-	-	-	1-6
5-2394060-2	L	1POS.PIN DIA 10.0 HDR ASSY,180DEG	CODE HOUSING	L	PA66-GF	AQUA BROWN	(14.0)	1	7
			FOLLOW 4-2394060-1	-	-	-	-	-	1-6
5-2394060-1	K	1POS.PIN DIA 10.0 HDR ASSY,180DEG	CODE HOUSING	K	PA66-GF	AQUA GREEN	(14.0)	1	7
			FOLLOW 4-2394060-1	-	-	-	-	-	1-6
4-2394060-9	J	1POS.PIN DIA 10.0 HDR ASSY,180DEG	CODE HOUSING	J	PA66-GF	ORANGE	(14.0)	1	7
			FOLLOW 4-2394060-1	-	-	-	-	-	1-6
4-2394060-8	H	1POS.PIN DIA 10.0 HDR ASSY,180DEG	CODE HOUSING	H	PA66-GF	YELLOW	(14.0)	1	7
			FOLLOW 4-2394060-1	-	-	-	-	-	1-6
4-2394060-7	G	1POS.PIN DIA 10.0 HDR ASSY,180DEG	CODE HOUSING	G	PA66-GF	RED	(14.0)	1	7
			FOLLOW 4-2394060-1	-	-	-	-	-	1-6
4-2394060-6	F	1POS.PIN DIA 10.0 HDR ASSY,180DEG	CODE HOUSING	F	PA66-GF	BROWN	(14.0)	1	7
			FOLLOW 4-2394060-1	-	-	-	-	-	1-6
4-2394060-5	E	1POS.PIN DIA 10.0 HDR ASSY,180DEG	CODE HOUSING	E	PA66-GF	GREEN	(14.0)	1	7
			FOLLOW 4-2394060-1	-	-	-	-	-	1-6
4-2394060-4	D	1POS.PIN DIA 10.0 HDR ASSY,180DEG	CODE HOUSING	D	PA66-GF	PURPLE	(14.0)	1	7
			FOLLOW 4-2394060-1	-	-	-	-	-	1-6
4-2394060-3	C	1POS.PIN DIA 10.0 HDR ASSY,180DEG	CODE HOUSING	C	PA66-GF	BLUE	(14.0)	1	7
			FOLLOW 4-2394060-1	-	-	-	-	-	1-6
4-2394060-2	B	1POS.PIN DIA 10.0 HDR ASSY,180DEG	CODE HOUSING	B	PA66-GF	NATURE	(14.0)	1	7
			FOLLOW 4-2394060-1	-	-	-	-	-	1-6
4-2394060-1	A	1POS.PIN DIA 10.0 HDR ASSY,180DEG	CODE HOUSING	A	PA66-GF	BLACK	(14.0)	1	7
			HV INTERLOCK TERMINAL WIRE	-	-	-	-	2	6
			FACE SEAL	-	SILICONE	RED	-	1	5
			BUSBAR, BACK SIDE	-	COPPER	AG PLATED	-	1	4
			HEADER TPA	-	PA66-GF	RED	-	1	3
			FINGER PROTECTION CAP	-	PA66-GF	BLACK	-	1	2
			HEADER HOUSING 180DEG	-	AL-ALLOY	NICKEL PLATED	-	1	1

TE-ASSY-NO.	CODE	DESCRIPTION	DESCRIPTION	CODE	MATERIAL	SURFACE COLOR	WEIGHT (g)	QTY	ITEM
7-2394060-3	M	1POS.PIN DIA 10.0 HDR ASSY,180DEG	CODE HOUSING	M	PA66-GF	AQUA RED	(14.0)	1	7
			FOLLOW 6-2394060-1	-	-	-	-	-	1-6
7-2394060-2	L	1POS.PIN DIA 10.0 HDR ASSY,180DEG	CODE HOUSING	L	PA66-GF	AQUA BROWN	(14.0)	1	7
			FOLLOW 6-2394060-1	-	-	-	-	-	1-6
7-2394060-1	K	1POS.PIN DIA 10.0 HDR ASSY,180DEG	CODE HOUSING	K	PA66-GF	AQUA GREEN	(14.0)	1	7
			FOLLOW 6-2394060-1	-	-	-	-	-	1-6
6-2394060-9	J	1POS.PIN DIA 10.0 HDR ASSY,180DEG	CODE HOUSING	J	PA66-GF	ORANGE	(14.0)	1	7
			FOLLOW 6-2394060-1	-	-	-	-	-	1-6
6-2394060-8	H	1POS.PIN DIA 10.0 HDR ASSY,180DEG	CODE HOUSING	H	PA66-GF	YELLOW	(14.0)	1	7
			FOLLOW 6-2394060-1	-	-	-	-	-	1-6
6-2394060-7	G	1POS.PIN DIA 10.0 HDR ASSY,180DEG	CODE HOUSING	G	PA66-GF	RED	(14.0)	1	7
			FOLLOW 6-2394060-1	-	-	-	-	-	1-6
6-2394060-6	F	1POS.PIN DIA 10.0 HDR ASSY,180DEG	CODE HOUSING	F	PA66-GF	BROWN	(14.0)	1	7
			FOLLOW 6-2394060-1	-	-	-	-	-	1-6
6-2394060-5	E	1POS.PIN DIA 10.0 HDR ASSY,180DEG	CODE HOUSING	E	PA66-GF	GREEN	(14.0)	1	7
			FOLLOW 6-2394060-1	-	-	-	-	-	1-6
6-2394060-4	D	1POS.PIN DIA 10.0 HDR ASSY,180DEG	CODE HOUSING	D	PA66-GF	PURPLE	(14.0)	1	7
			FOLLOW 6-2394060-1	-	-	-	-	-	1-6
6-2394060-3	C	1POS.PIN DIA 10.0 HDR ASSY,180DEG	CODE HOUSING	C	PA66-GF	BLUE	(14.0)	1	7
			FOLLOW 6-2394060-1	-	-	-	-	-	1-6
6-2394060-2	B	1POS.PIN DIA 10.0 HDR ASSY,180DEG	CODE HOUSING	B	PA66-GF	NATURE	(14.0)	1	7
			FOLLOW 6-2394060-1	-	-	-	-	-	1-6
6-2394060-1	A	1POS.PIN DIA 10.0 HDR ASSY,180DEG	CODE HOUSING	A	PA66-GF	BLACK	(14.0)	1	7
			HV INTERLOCK TERMINAL WIRE	-	-	-	-	2	6
			FACE SEAL	-	SILICONE	RED	-	1	5
			BUSBAR, LEFT SIDE	-	COPPER	AG PLATED	-	1	4
			HEADER TPA	-	PA66-GF	RED	-	1	3
			FINGER PROTECTION CAP	-	PA66-GF	BLACK	-	1	2
			HEADER HOUSING 180DEG	-	AL-ALLOY	NICKEL PLATED	-	1	1

THIS DRAWING IS A CONTROLLED DOCUMENT. DATE: 31DEC2021

TE Connectivity

1POS.PIN DIA 10.0 HDR ASSY,180DEG  
HVP-HD1000

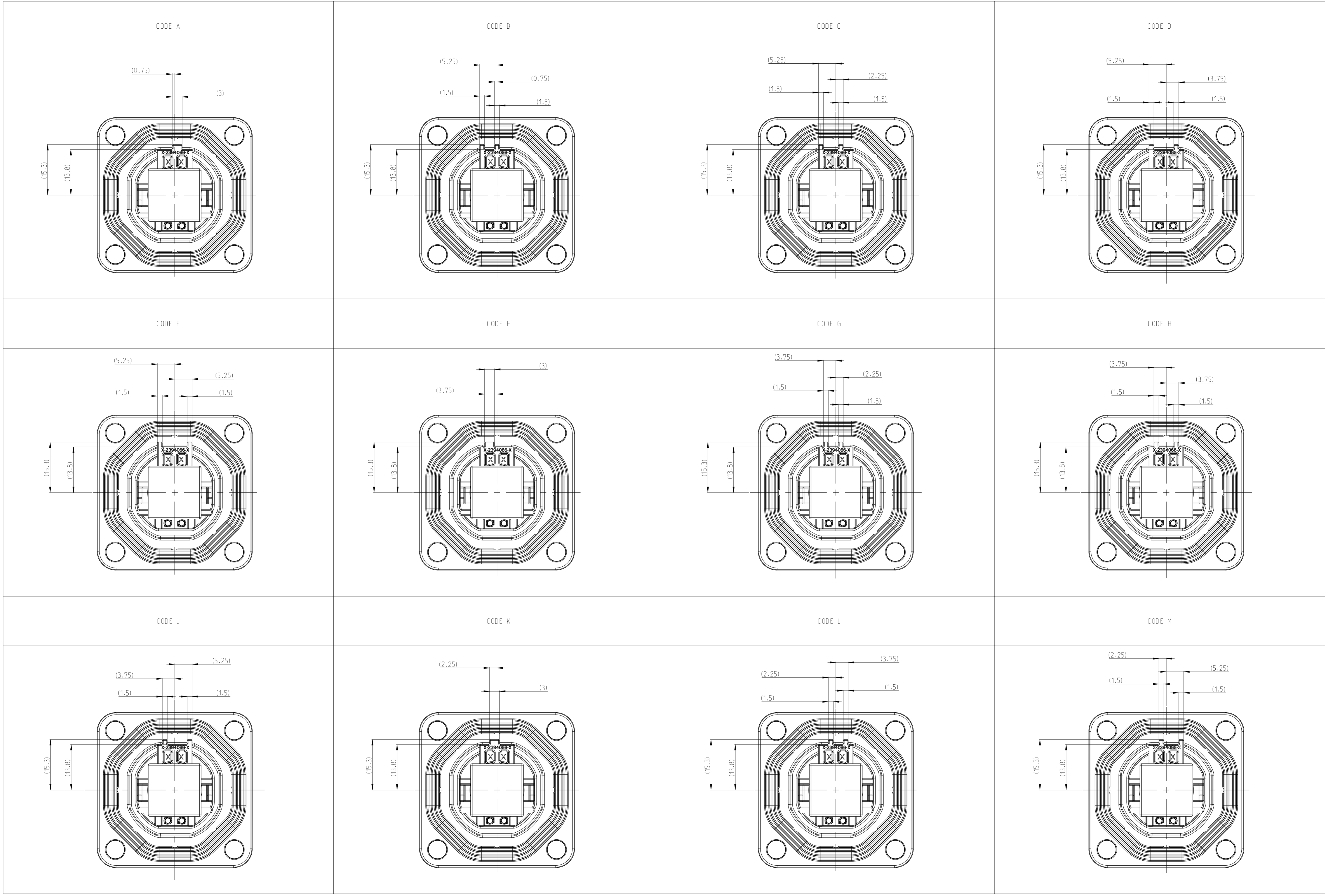
STE

114-160181

SCALE: 2:1

REV: A1

REVISIONS			
REV	DATE	BY	APPV
1			
SEE SHEET 1			



printed on 80 gsm 2022 2021 (C) TE Connectivity. All Rights Reserved.

THIS DRAWING IS A CONTROLLED DOCUMENT.

DESIGNED BY	CHK	DATE
DRN	LL	31DEC2021
APPV	LYN	31DEC2021

TE Connectivity

1POS. PIN DIA 10.0 HDR ASSY.180DEG  
HVP-HD1000

SCALE: 2:1 SHEET 4 OF 5

REVISIONS			
REV	DATE	DESCRIPTION	BY
1		SEE SHEET 1	



TABLE 6

CODE A	CODE B	CODE C	CODE D
CODE E	CODE F	CODE G	CODE H
CODE J	CODE K	CODE L	CODE M

printed on 10/19/2022 10:13 AM Standard Time from 1649955

THIS DRAWING IS A CONTROLLED DOCUMENT.

DATE	31DEC2021
CHK	LL
DATE	31DEC2021
CHK	LL
DATE	31DEC2021
CHK	LL

TE Connectivity

1POS. PIN DIA 10.0 HDR ASSY.180DEG  
HVP-HD1000

SCALE 2:1 SHEET 5 OF 5