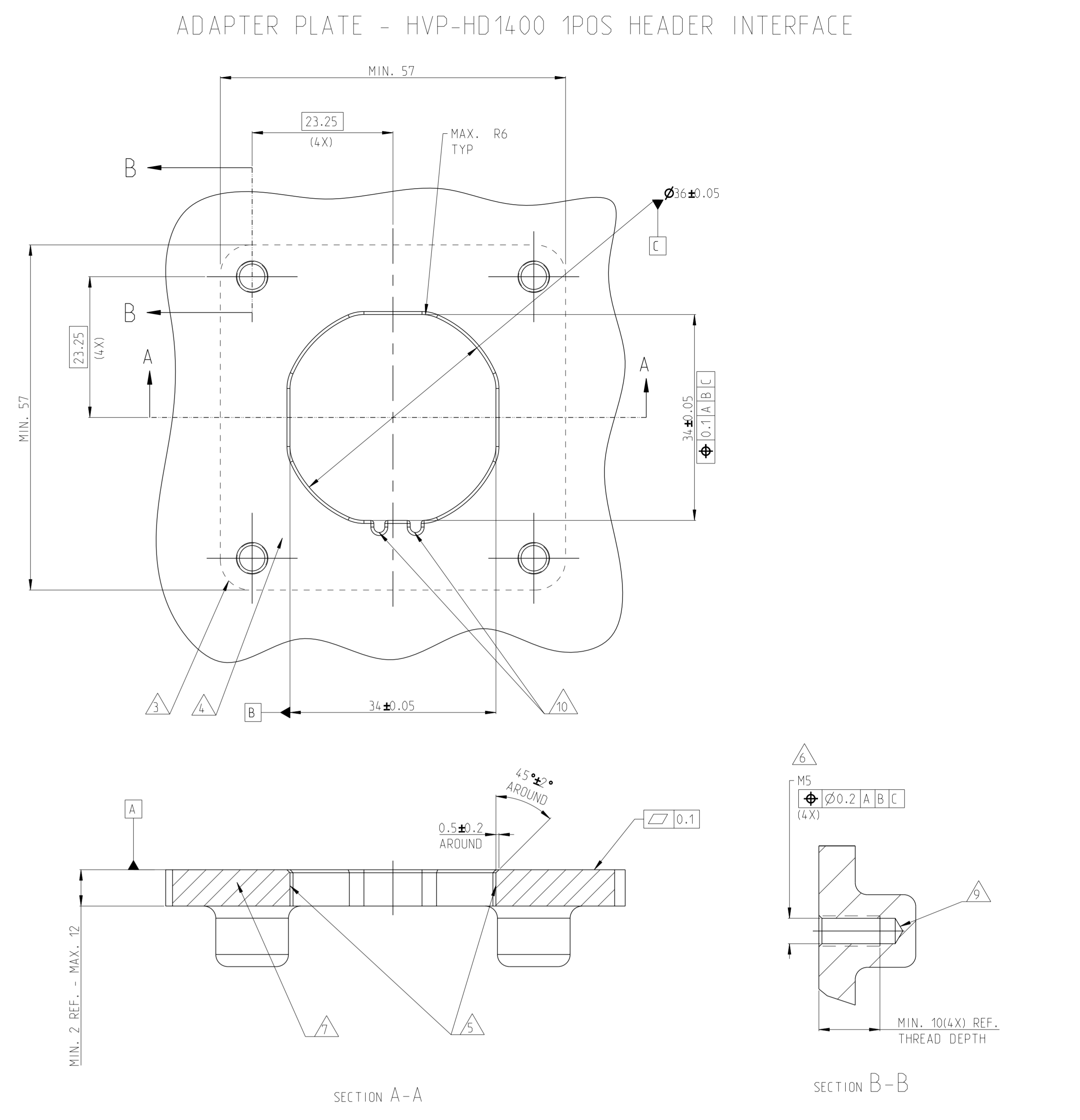
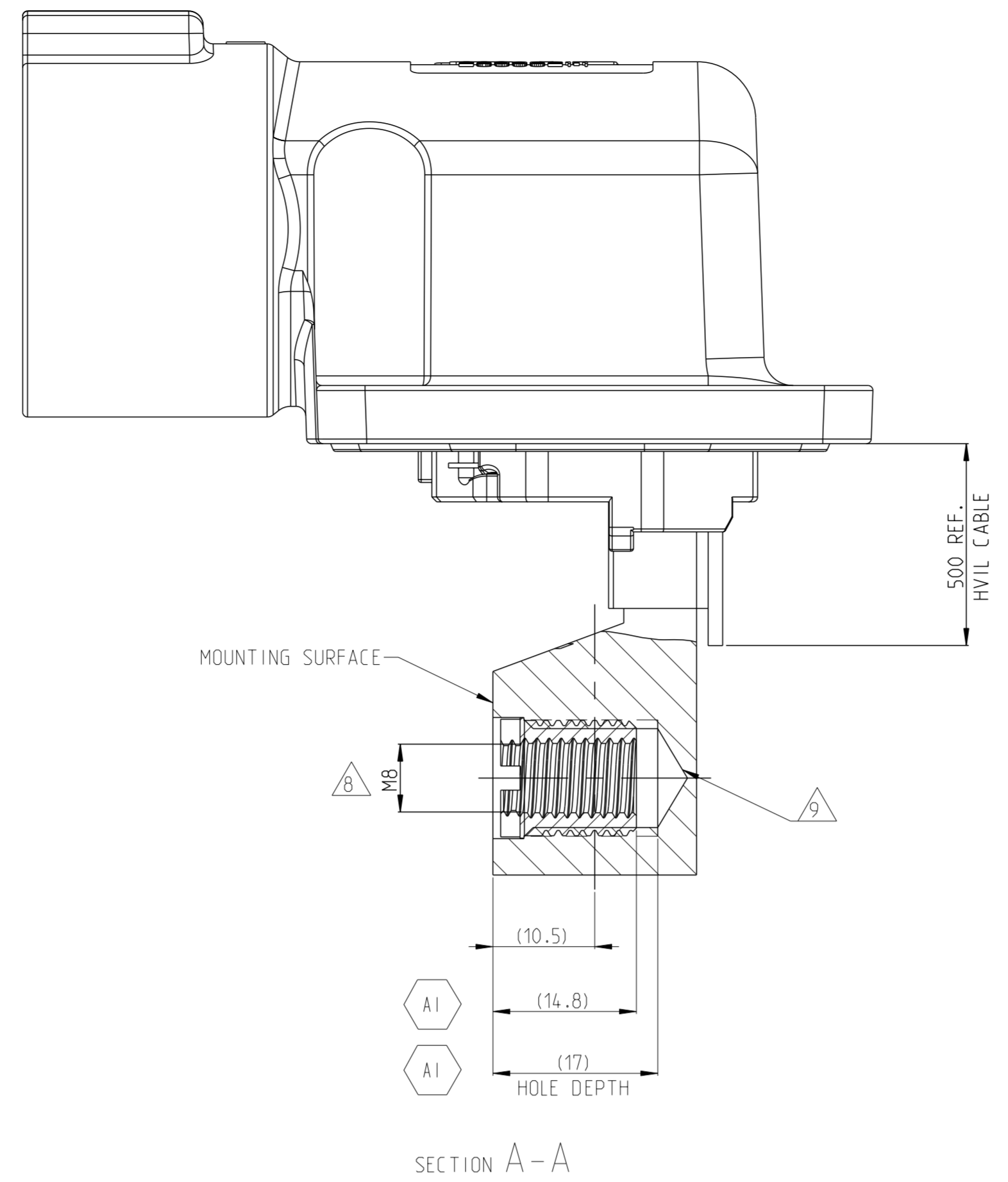
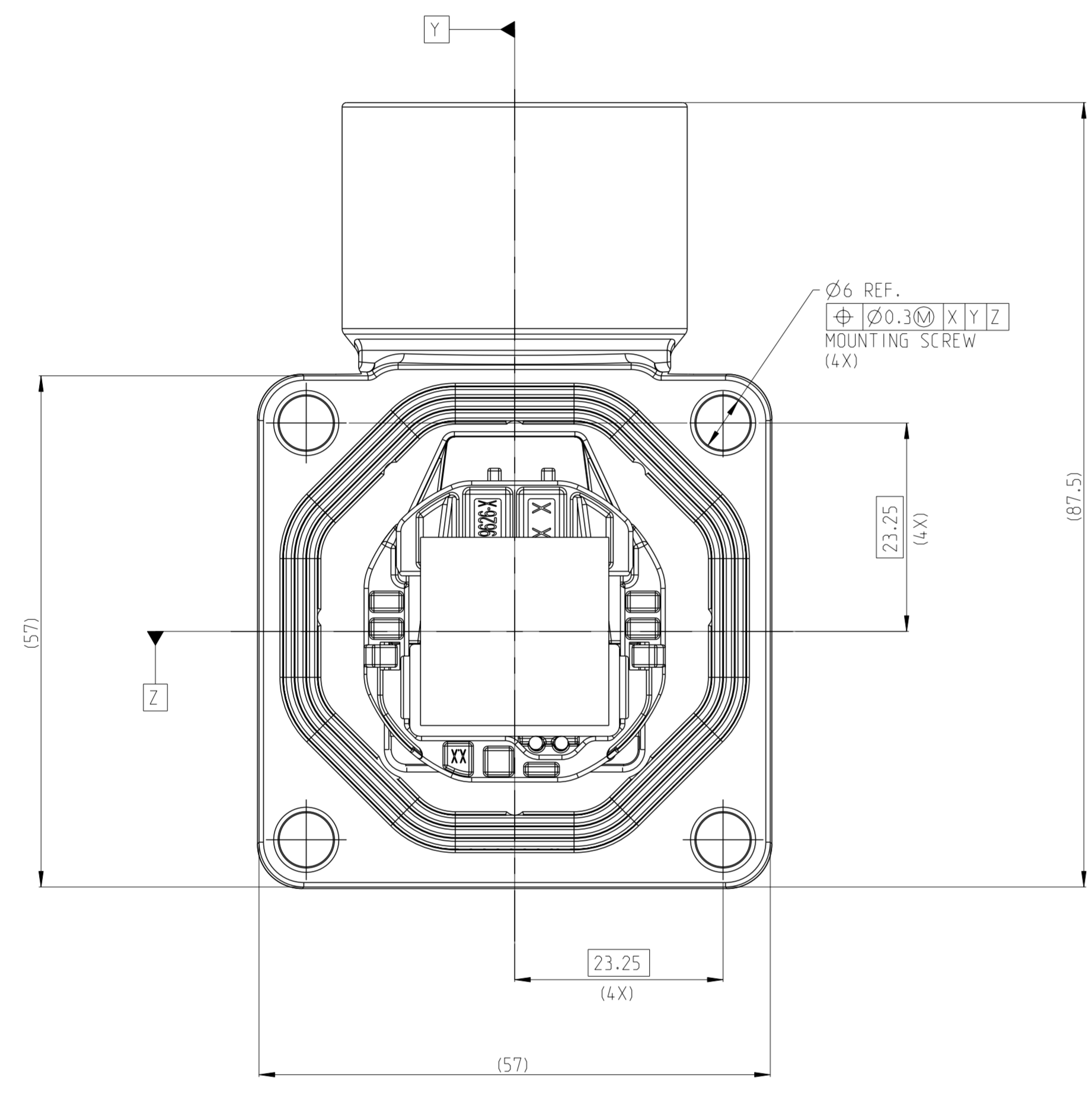
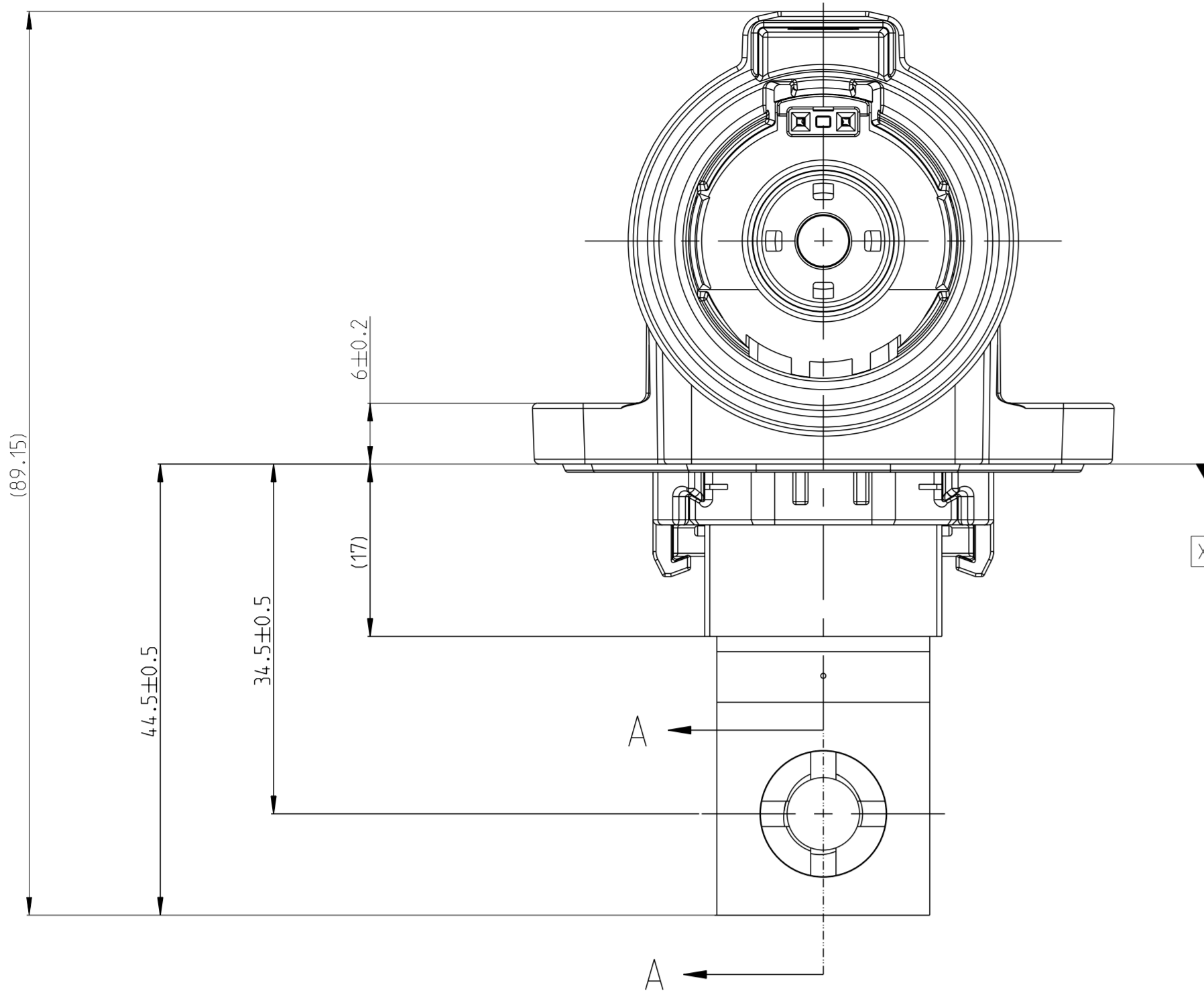
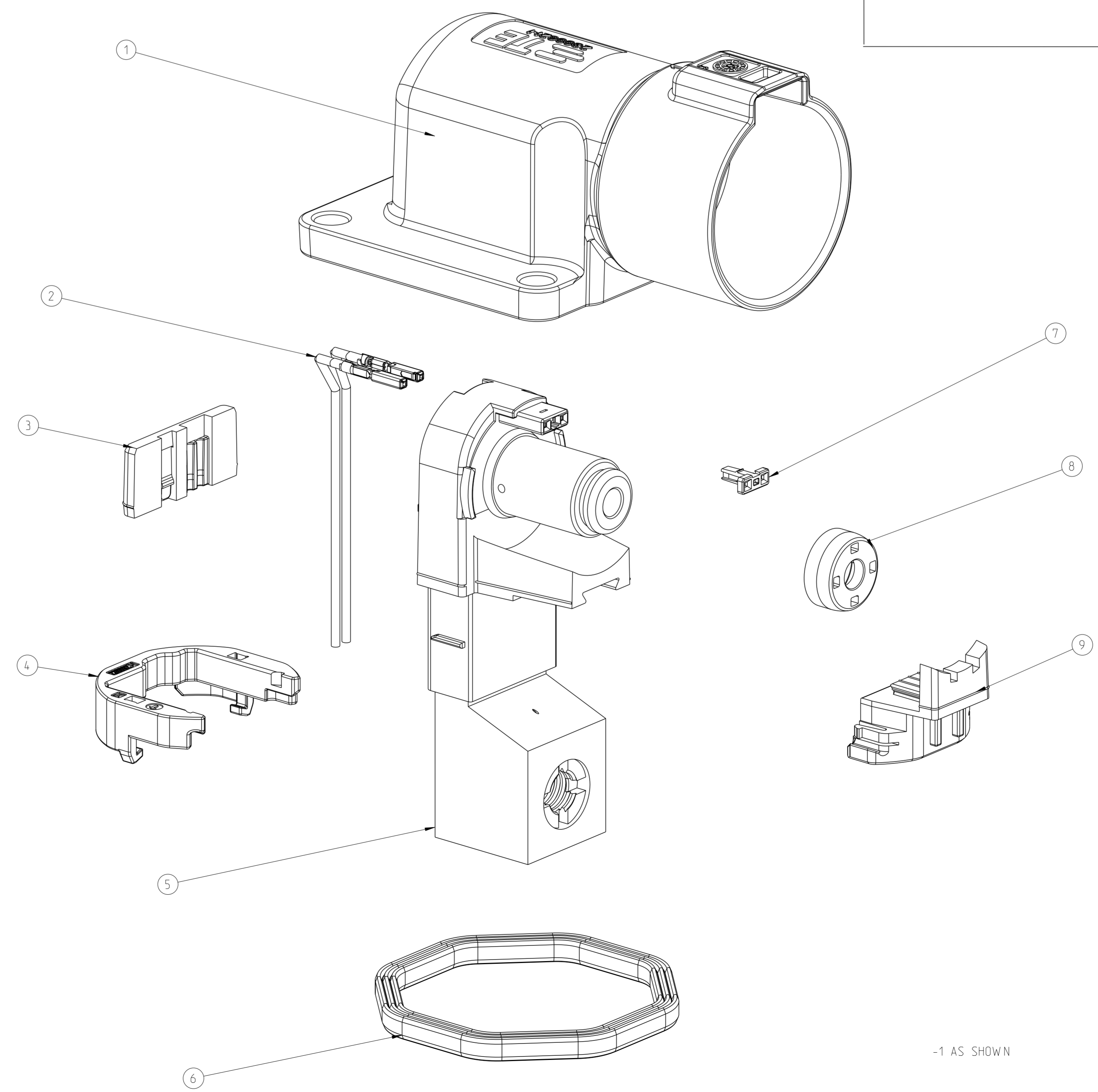


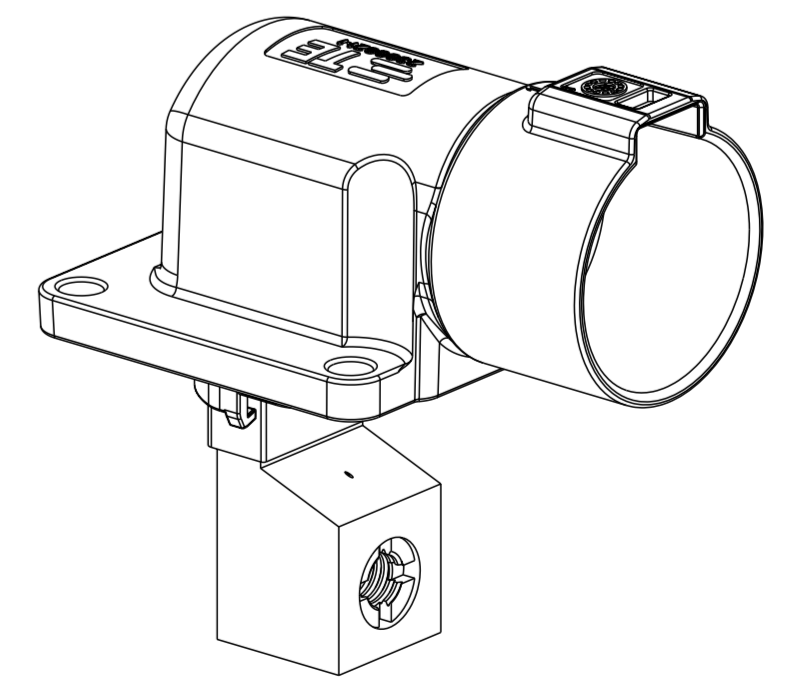
REVISIONS				
REV	DATE	DESCRIPTION	BY	APPD
A	29DEC2021	INITIAL RELEASE	S.T	1.Y
A1	03FEB2022	ECR-22-13644Z	S.T	2.Z



TE-ASSY-NO	CODE	DESCRIPTION	DESCRIPTION	CODE	MATERIAL	SURFACE COLOR	WEIGHT (g)	QTY	ITEM
1-2399609-3	M	1POS.PIN DIA 14.0 HDR ASSY.90DEG	CODE HOUSING FOLLOW 2399609-1	M	PA66-GF	AQUA RED	(315)	1	9
1-2399609-2	L	1POS.PIN DIA 14.0 HDR ASSY.90DEG	CODE HOUSING FOLLOW 2399609-1	L	PA66-GF	AQUA BROWN	(315)	1	9
1-2399609-1	K	1POS.PIN DIA 14.0 HDR ASSY.90DEG	CODE HOUSING FOLLOW 2399609-1	K	PA66-GF	AQUA GREEN	(315)	1	9
2399609-9	J	1POS.PIN DIA 14.0 HDR ASSY.90DEG	CODE HOUSING FOLLOW 2399609-1	J	PA66-GF	ORANGE	(315)	1	9
2399609-8	H	1POS.PIN DIA 14.0 HDR ASSY.90DEG	CODE HOUSING FOLLOW 2399609-1	H	PA66-GF	YELLOW	(315)	1	9
2399609-7	G	1POS.PIN DIA 14.0 HDR ASSY.90DEG	CODE HOUSING FOLLOW 2399609-1	G	PA66-GF	RED	(315)	1	9
2399609-6	F	1POS.PIN DIA 14.0 HDR ASSY.90DEG	CODE HOUSING FOLLOW 2399609-1	F	PA66-GF	BROWN	(315)	1	9
2399609-5	E	1POS.PIN DIA 14.0 HDR ASSY.90DEG	CODE HOUSING FOLLOW 2399609-1	E	PA66-GF	GREEN	(315)	1	9
2399609-4	D	1POS.PIN DIA 14.0 HDR ASSY.90DEG	CODE HOUSING FOLLOW 2399609-1	D	PA66-GF	PURPLE	(315)	1	9
2399609-3	C	1POS.PIN DIA 14.0 HDR ASSY.90DEG	CODE HOUSING FOLLOW 2399609-1	C	PA66-GF	BLUE	(315)	1	9
2399609-2	B	1POS.PIN DIA 14.0 HDR ASSY.90DEG	CODE HOUSING FOLLOW 2399609-1	B	PA66-GF	NATURE	(315)	1	9
2399609-1	A	1POS.PIN DIA 14.0 HDR ASSY.90DEG	CODE HOUSING	A	PA66-GF	BLACK	(315)	1	9
			HEADER TPA	-	PA66-GF	RED		1	8
			FINGER PROTECTION CAP	-	PA66-GF	BLACK		1	7
			FACE SEAL	-	SILICONE	RED		1	6
			BUSBAR OVERMOLD,FRONT SIDE	-	-	-		1	5
			OUTER HOUSING	-	PA66-GF	BLACK		1	4
			INNER HOUSING	-	PA66-GF	BLACK		1	3
			HV INTERLOCK CABLE	-	-	-		2	2
			HEADER HOUSING 90DEG,1POS	-	AL-ALLOY	NICKEL PLATED		1	1



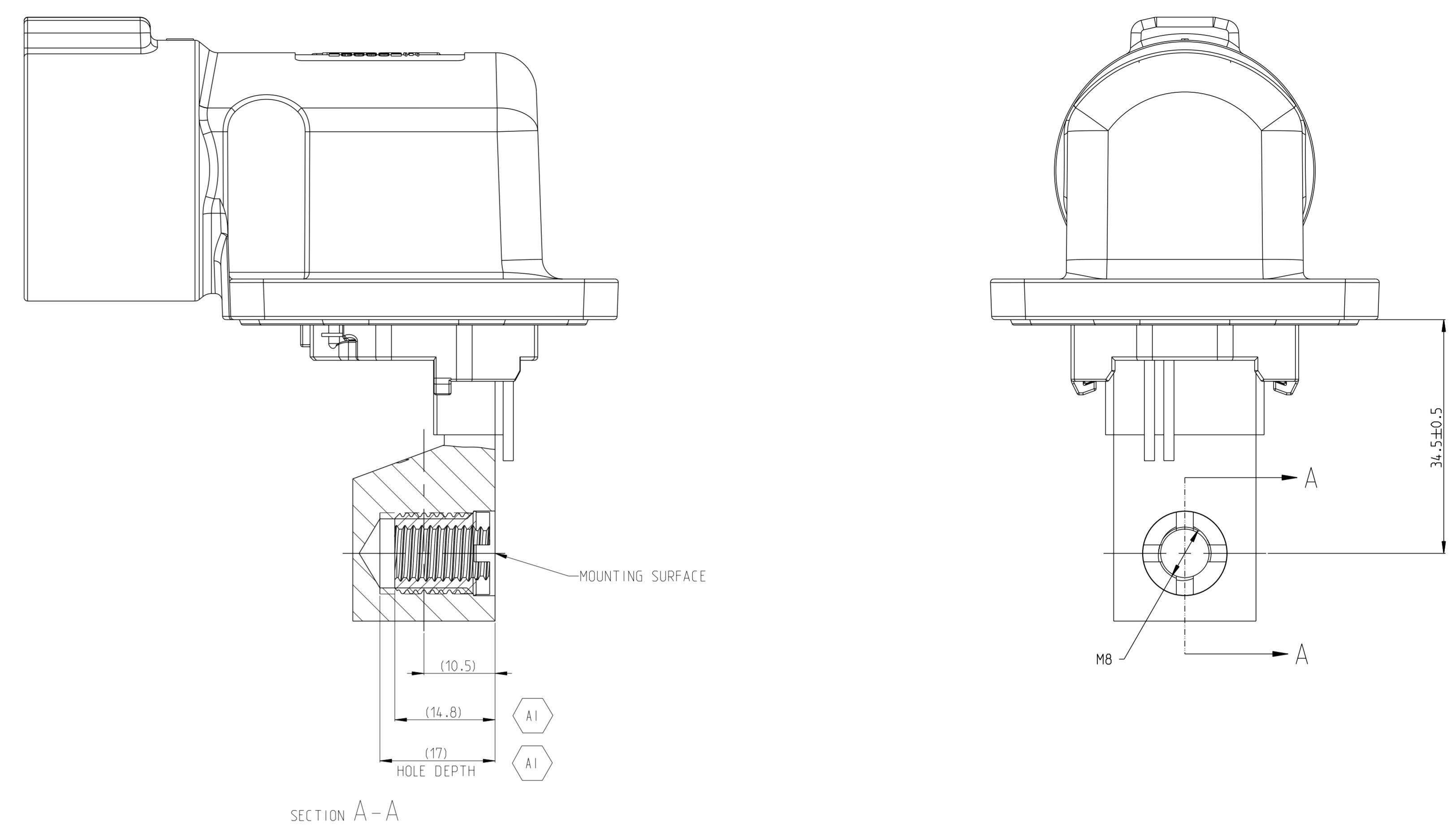
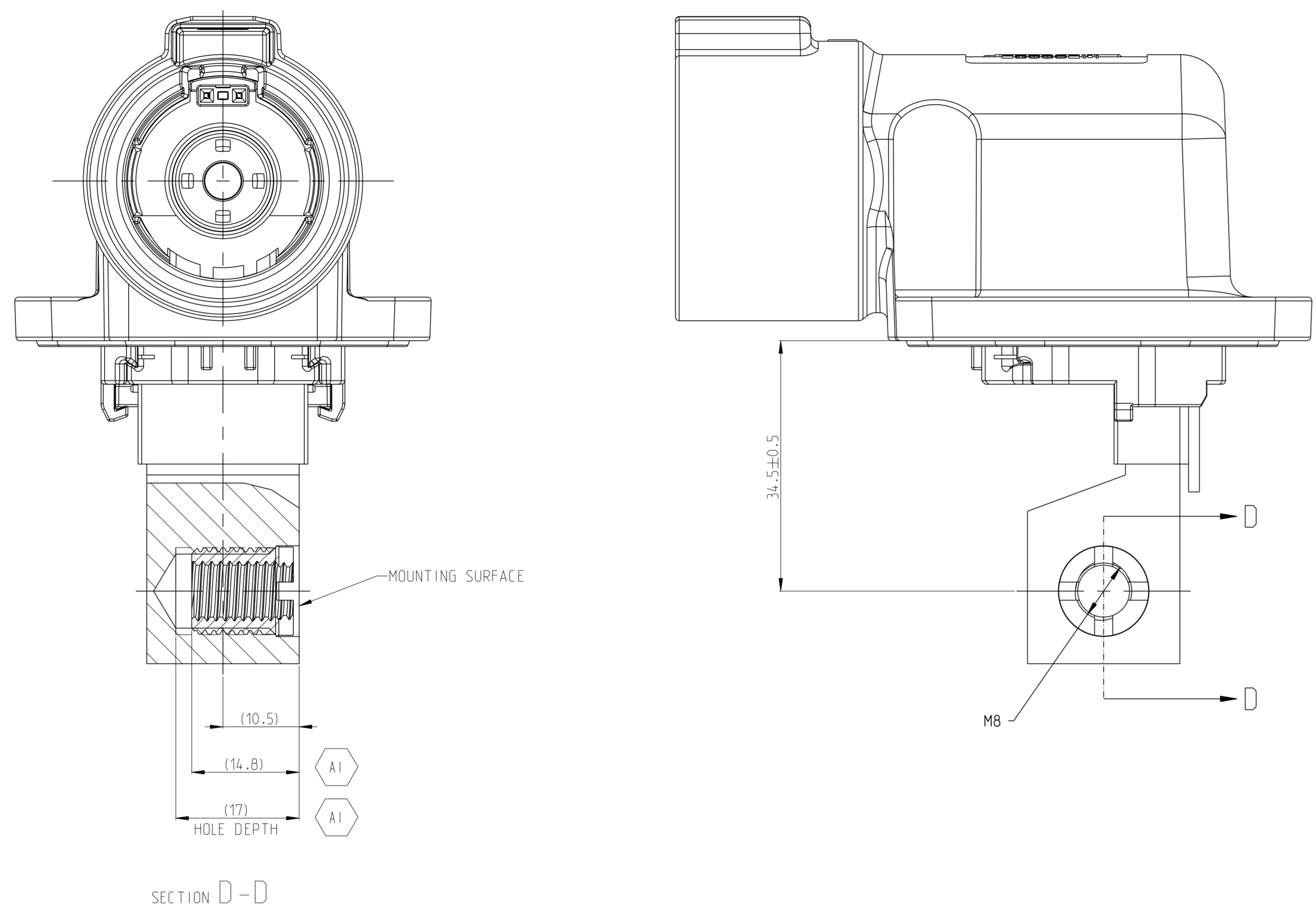
- 1. MATING CONNECTOR REFER TO DRAWING 2400957
- ▲ CODING VARIANT
- ▲ FREE SPACE FOR HEADER
- ▲ SEALING AREA: NO BURR, TOOL PARTING, SHRINKAGE. CAVITIES AND GATE MARKS PERMITTED. SURFACE ROUGHNESS: Ra=1.6
- ▲ DRAFT ANGLE UP TO 0.5° PERMITTED
- ▲ MOUNTING SCREW MS, SCREW TYPE UP TO MANUFACTURER, DRILL HOLE DESIGN ACCORDING TO SCREW TYPE
- ▲ MATERIAL: CORROSION RESISTANT, ELECTROCONDUCTIVE
- ▲ SCREW M8 FOR BUSBAR CONNECTION
- ▲ ALL THREAD HOLES ARE BLIND HOLES
- ▲ INTERFACE PANEL CODE SEE SHEET 5



-1 AS SHOWN

THIS DRAWING IS A CONTROLLED DOCUMENT.		REV: 29DEC2021	DATE: 29DEC2021	TE Connectivity	
DIMENSIONS:	UNIT: MM	SCALE: 1:1	PROJECT SPEC: 114-160222	NAME: 1POS.PIN DIA 14.0.HDR ASSY.90DEG HVP-HD1400	SIZE: A0
MATERIAL: SEE TABLE	FINISH: SEE TABLE	WEIGHT: SEE TABLE	CUSTOMER DRAWING	SCALE: 2:1	SHEET 1 OF 5

REVISIONS				
REV	DATE	BY	APP'D	DESCRIPTION
-	-	-	-	SEE SHEET 1



1. MISSING DIMENSIONS ACC. TO 2399609-1

1. MISSING DIMENSIONS ACC. TO 2399609-1

TE-ASSY-NO	CODE	DESCRIPTION	DESCRIPTION	CODE	MATERIAL	SURFACE COLOR	WEIGHT (g)	QTY	ITEM
3-2399609-3	M	1POS.PIN DIA 14.0 HDR ASSY.90DEG	CODE HOUSING	M	PA66-GF	AQUA RED	(315)	1	9
			FOLLOW 2-2399609-1	-	-	-	-	-	-
3-2399609-2	L	1POS.PIN DIA 14.0 HDR ASSY.90DEG	CODE HOUSING	L	PA66-GF	AQUA BROWN	(315)	1	9
			FOLLOW 2-2399609-1	-	-	-	-	-	-
3-2399609-1	K	1POS.PIN DIA 14.0 HDR ASSY.90DEG	CODE HOUSING	K	PA66-GF	AQUA GREEN	(315)	1	9
			FOLLOW 2-2399609-1	-	-	-	-	-	-
2-2399609-9	J	1POS.PIN DIA 14.0 HDR ASSY.90DEG	CODE HOUSING	J	PA66-GF	ORANGE	(315)	1	9
			FOLLOW 2-2399609-1	-	-	-	-	-	-
2-2399609-8	H	1POS.PIN DIA 14.0 HDR ASSY.90DEG	CODE HOUSING	H	PA66-GF	YELLOW	(315)	1	9
			FOLLOW 2-2399609-1	-	-	-	-	-	-
2-2399609-7	G	1POS.PIN DIA 14.0 HDR ASSY.90DEG	CODE HOUSING	G	PA66-GF	RED	(315)	1	9
			FOLLOW 2-2399609-1	-	-	-	-	-	-
2-2399609-6	F	1POS.PIN DIA 14.0 HDR ASSY.90DEG	CODE HOUSING	F	PA66-GF	BROWN	(315)	1	9
			FOLLOW 2-2399609-1	-	-	-	-	-	-
2-2399609-5	E	1POS.PIN DIA 14.0 HDR ASSY.90DEG	CODE HOUSING	E	PA66-GF	GREEN	(315)	1	9
			FOLLOW 2-2399609-1	-	-	-	-	-	-
2-2399609-4	D	1POS.PIN DIA 14.0 HDR ASSY.90DEG	CODE HOUSING	D	PA66-GF	PURPLE	(315)	1	9
			FOLLOW 2-2399609-1	-	-	-	-	-	-
2-2399609-3	C	1POS.PIN DIA 14.0 HDR ASSY.90DEG	CODE HOUSING	C	PA66-GF	BLUE	(315)	1	9
			FOLLOW 2-2399609-1	-	-	-	-	-	-
2-2399609-2	B	1POS.PIN DIA 14.0 HDR ASSY.90DEG	CODE HOUSING	B	PA66-GF	NATURE	(315)	1	9
			FOLLOW 2-2399609-1	-	-	-	-	-	-
2-2399609-1	A	1POS.PIN DIA 14.0 HDR ASSY.90DEG	CODE HOUSING	A	PA66-GF	BLACK	(315)	1	9
			HEADER TPA	-	PA66-GF	RED		1	8
			FINGER PROTECTION CAP	-	PA66-GF	BLACK		1	7
			FACE SEAL	-	SILICONE	RED		1	6
			BUSBAR OVERMOLD,RIGHT SIDE	-	-	-		1	5
			OUTER HOUSING	-	PA66-GF	BLACK		1	4
			INNER HOUSING	-	PA66-GF	BLACK		1	3
			HV INTERLOCK CABLE	-	-	-		2	2
			HEADER HOUSING 90DEG.1POS	-	AL-ALLOY	NICKEL PLATED		1	1

TE-ASSY-NO	CODE	DESCRIPTION	DESCRIPTION	CODE	MATERIAL	SURFACE COLOR	WEIGHT (g)	QTY	ITEM
5-2399609-3	M	1POS.PIN DIA 14.0 HDR ASSY.90DEG	CODE HOUSING	M	PA66-GF	AQUA RED	(315)	1	9
			FOLLOW 4-2399609-1	-	-	-	-	-	-
5-2399609-2	L	1POS.PIN DIA 14.0 HDR ASSY.90DEG	CODE HOUSING	L	PA66-GF	AQUA BROWN	(315)	1	9
			FOLLOW 4-2399609-1	-	-	-	-	-	-
5-2399609-1	K	1POS.PIN DIA 14.0 HDR ASSY.90DEG	CODE HOUSING	K	PA66-GF	AQUA GREEN	(315)	1	9
			FOLLOW 4-2399609-1	-	-	-	-	-	-
4-2399609-9	J	1POS.PIN DIA 14.0 HDR ASSY.90DEG	CODE HOUSING	J	PA66-GF	ORANGE	(315)	1	9
			FOLLOW 4-2399609-1	-	-	-	-	-	-
4-2399609-8	H	1POS.PIN DIA 14.0 HDR ASSY.90DEG	CODE HOUSING	H	PA66-GF	YELLOW	(315)	1	9
			FOLLOW 4-2399609-1	-	-	-	-	-	-
4-2399609-7	G	1POS.PIN DIA 14.0 HDR ASSY.90DEG	CODE HOUSING	G	PA66-GF	RED	(315)	1	9
			FOLLOW 4-2399609-1	-	-	-	-	-	-
4-2399609-6	F	1POS.PIN DIA 14.0 HDR ASSY.90DEG	CODE HOUSING	F	PA66-GF	BROWN	(315)	1	9
			FOLLOW 4-2399609-1	-	-	-	-	-	-
4-2399609-5	E	1POS.PIN DIA 14.0 HDR ASSY.90DEG	CODE HOUSING	E	PA66-GF	GREEN	(315)	1	9
			FOLLOW 4-2399609-1	-	-	-	-	-	-
4-2399609-4	D	1POS.PIN DIA 14.0 HDR ASSY.90DEG	CODE HOUSING	D	PA66-GF	PURPLE	(315)	1	9
			FOLLOW 4-2399609-1	-	-	-	-	-	-
4-2399609-3	C	1POS.PIN DIA 14.0 HDR ASSY.90DEG	CODE HOUSING	C	PA66-GF	BLUE	(315)	1	9
			FOLLOW 4-2399609-1	-	-	-	-	-	-
4-2399609-2	B	1POS.PIN DIA 14.0 HDR ASSY.90DEG	CODE HOUSING	B	PA66-GF	NATURE	(315)	1	9
			FOLLOW 4-2399609-1	-	-	-	-	-	-
4-2399609-1	A	1POS.PIN DIA 14.0 HDR ASSY.90DEG	CODE HOUSING	A	PA66-GF	BLACK	(315)	1	9
			HEADER TPA	-	PA66-GF	RED		1	8
			FINGER PROTECTION CAP	-	PA66-GF	BLACK		1	7
			FACE SEAL	-	SILICONE	RED		1	6
			BUSBAR OVERMOLD,BACK SIDE	-	-	-		1	5
			OUTER HOUSING	-	PA66-GF	BLACK		1	4
			INNER HOUSING	-	PA66-GF	BLACK		1	3
			HV INTERLOCK CABLE	-	-	-		2	2
			HEADER HOUSING 90DEG.1POS	-	AL-ALLOY	NICKEL PLATED		1	1

THIS DRAWING IS A CONTROLLED DOCUMENT.

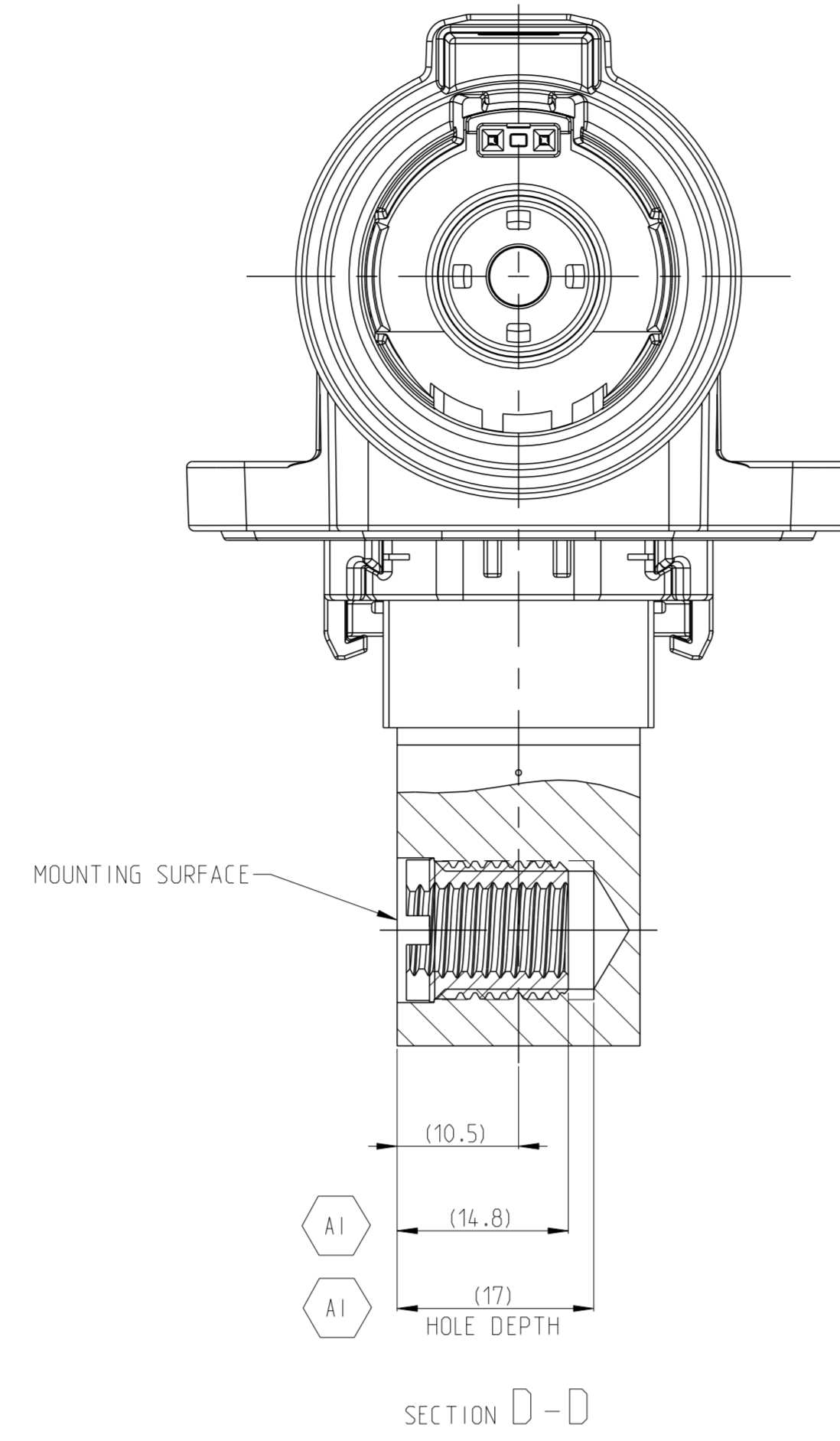
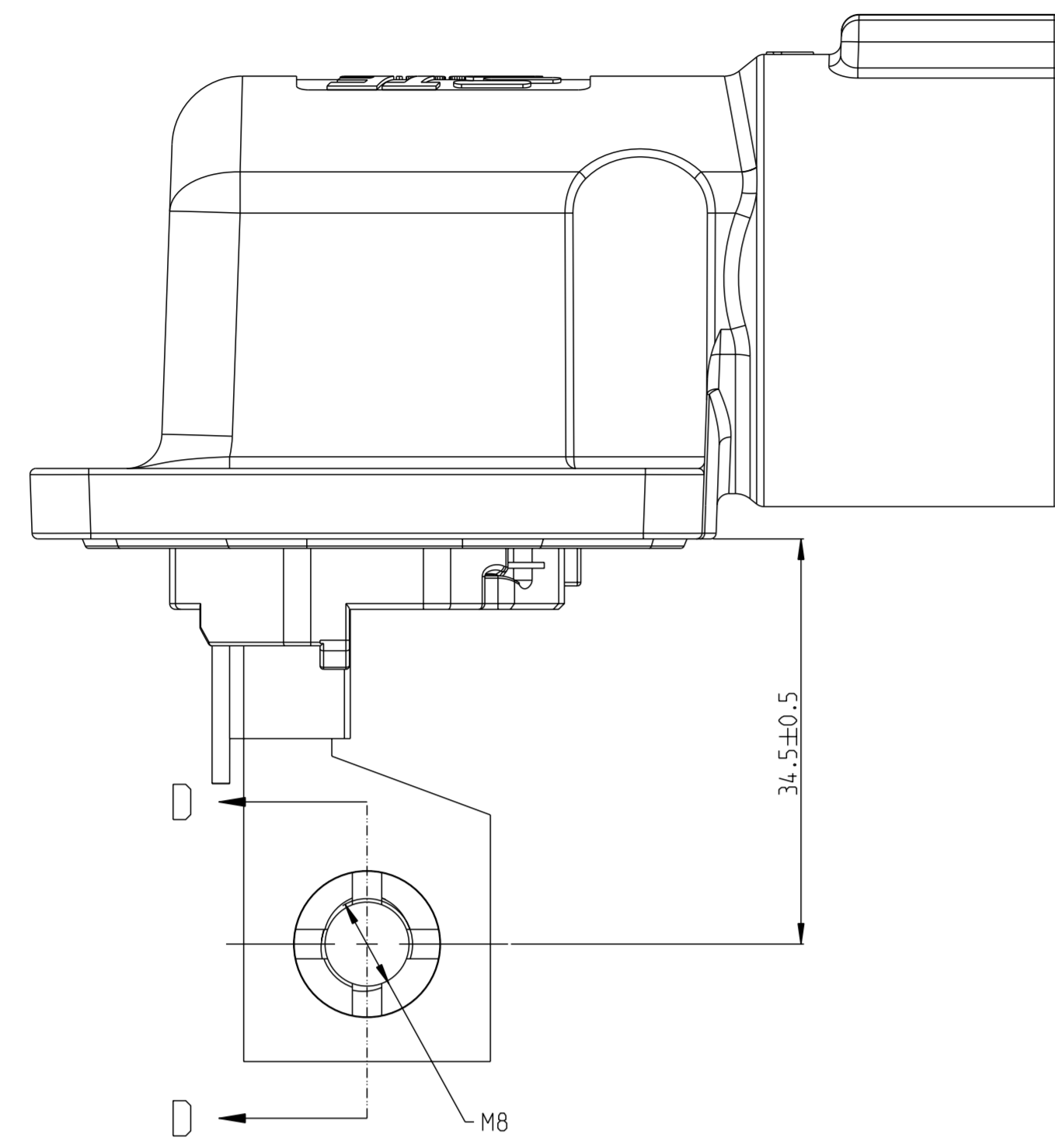
DATE	29DEC2021
BY	S.TAN
CHK	L.L.
APP'D	J.VIN

TE Connectivity

NAME: 1POS.PIN DIA 14.0.HDR ASSY.90DEG  
HVP-HD14.00

PRODUCT SPEC: 108-160407  
APPLICATION SPEC: 114-160222

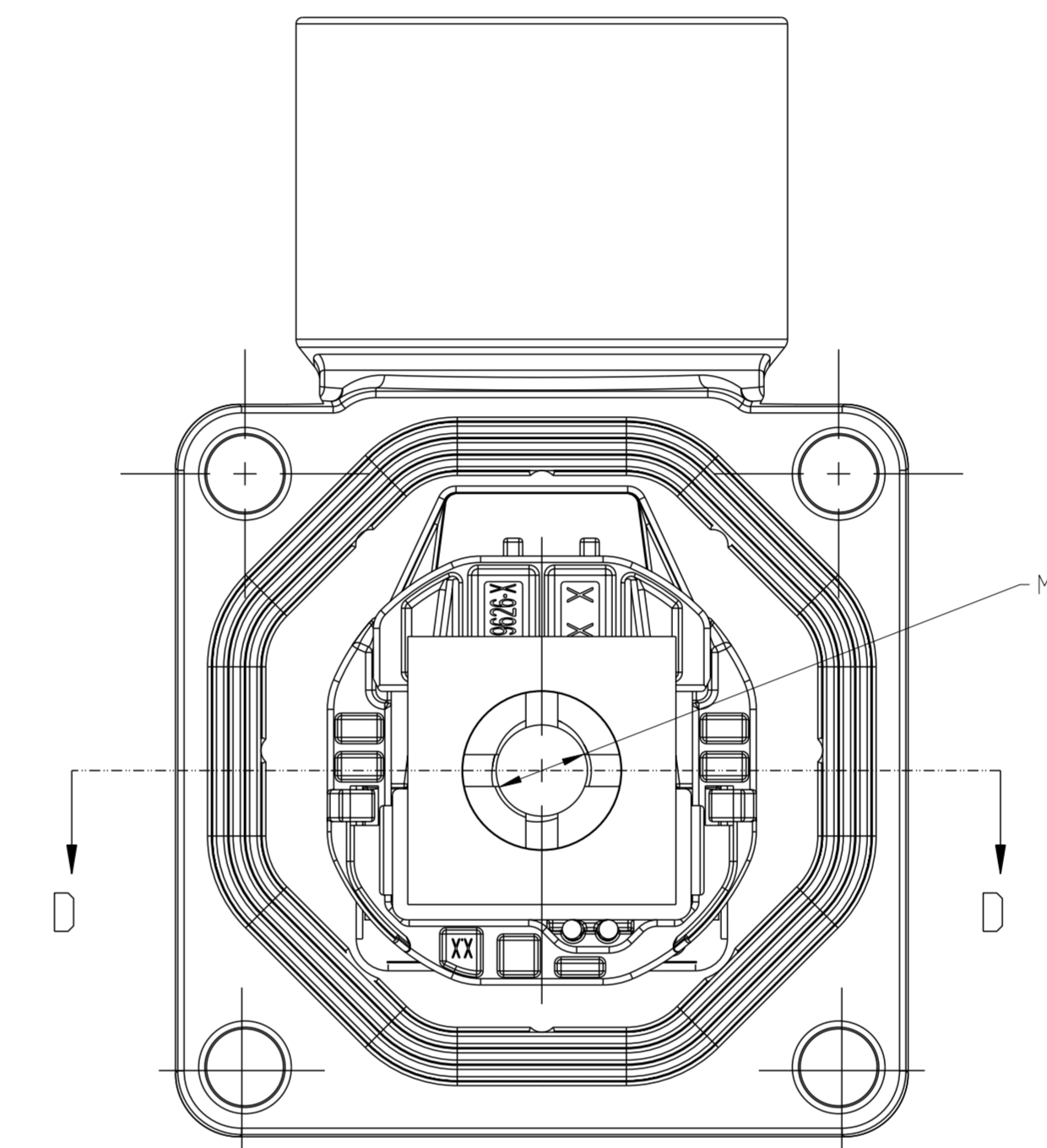
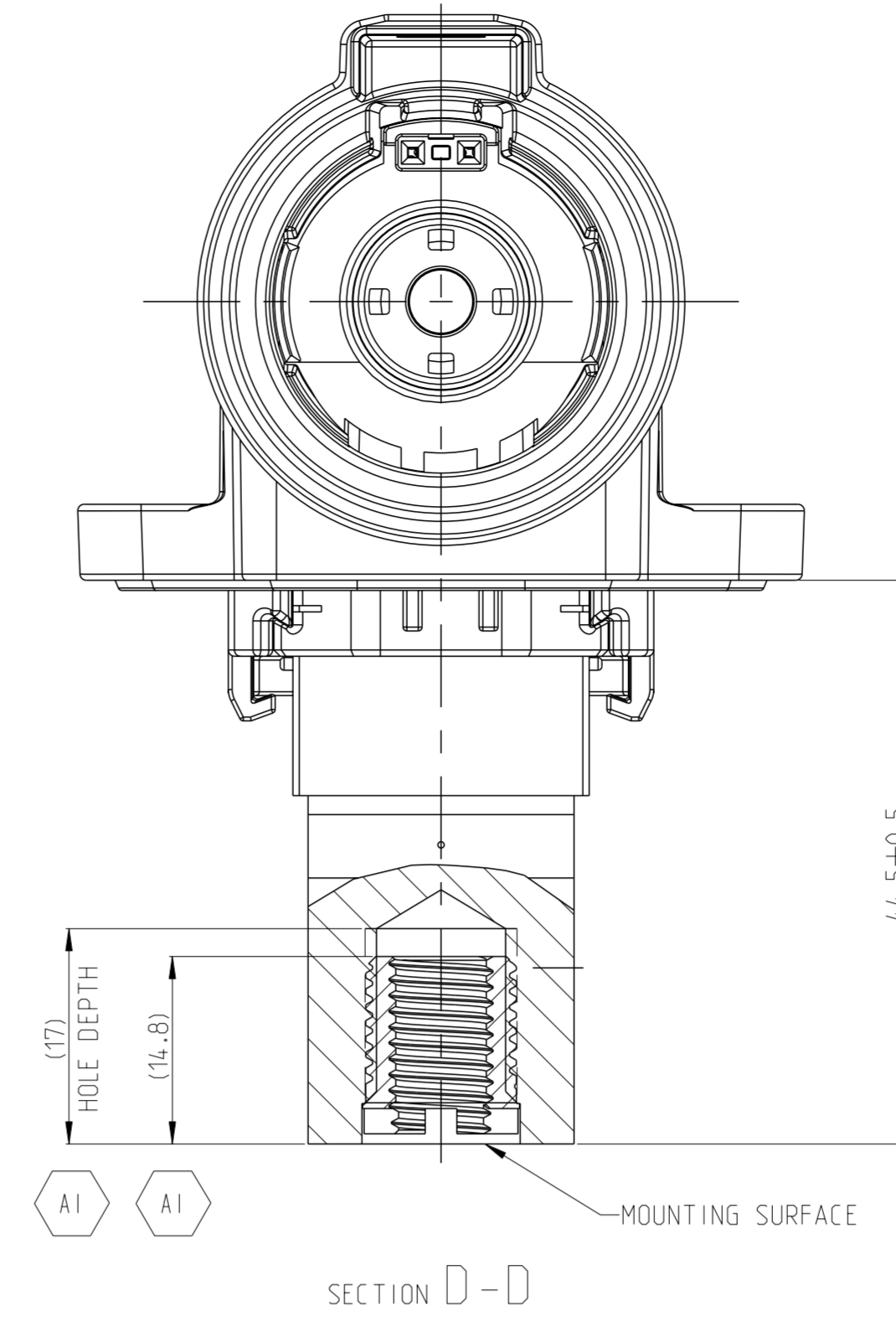
SCALE: 2:1 SHEET 2 OF 5



1. MISSING DIMENSIONS ACC. TO 2399609-1

TE-ASSY-NO	CODE	DESCRIPTION	DESCRIPTION	CODE	MATERIAL	SURFACE COLOR	WEIGHT (g)	QTY	ITEM
7-2399609-3	M	1POS.PIN DIA 14.0 HDR ASSY.90DEG	CODE HOUSING FOLLOW 6-2399609-1	M	PA66-GF	AQUA RED	(315)	1	9
7-2399609-2	L	1POS.PIN DIA 14.0 HDR ASSY.90DEG	CODE HOUSING FOLLOW 6-2399609-1	L	PA66-GF	AQUA BROWN	(315)	1	9
7-2399609-1	K	1POS.PIN DIA 14.0 HDR ASSY.90DEG	CODE HOUSING FOLLOW 6-2399609-1	K	PA66-GF	AQUA GREEN	(315)	1	9
6-2399609-9	J	1POS.PIN DIA 14.0 HDR ASSY.90DEG	CODE HOUSING FOLLOW 6-2399609-1	J	PA66-GF	ORANGE	(315)	1	9
6-2399609-8	H	1POS.PIN DIA 14.0 HDR ASSY.90DEG	CODE HOUSING FOLLOW 6-2399609-1	H	PA66-GF	YELLOW	(315)	1	9
6-2399609-7	G	1POS.PIN DIA 14.0 HDR ASSY.90DEG	CODE HOUSING FOLLOW 6-2399609-1	G	PA66-GF	RED	(315)	1	9
6-2399609-6	F	1POS.PIN DIA 14.0 HDR ASSY.90DEG	CODE HOUSING FOLLOW 6-2399609-1	F	PA66-GF	BROWN	(315)	1	9
6-2399609-5	E	1POS.PIN DIA 14.0 HDR ASSY.90DEG	CODE HOUSING FOLLOW 6-2399609-1	E	PA66-GF	GREEN	(315)	1	9
6-2399609-4	D	1POS.PIN DIA 14.0 HDR ASSY.90DEG	CODE HOUSING FOLLOW 6-2399609-1	D	PA66-GF	PURPLE	(315)	1	9
6-2399609-3	C	1POS.PIN DIA 14.0 HDR ASSY.90DEG	CODE HOUSING FOLLOW 6-2399609-1	C	PA66-GF	BLUE	(315)	1	9
6-2399609-2	B	1POS.PIN DIA 14.0 HDR ASSY.90DEG	CODE HOUSING FOLLOW 6-2399609-1	B	PA66-GF	NATURE	(315)	1	9
6-2399609-1	A	1POS.PIN DIA 14.0 HDR ASSY.90DEG	CODE HOUSING	A	PA66-GF	BLACK	(315)	1	9
			HEADER TPA	-	PA66-GF	RED		1	8
			FINGER PROTECTION CAP	-	PA66-GF	BLACK		1	7
			FACE SEAL	-	SILICONE	RED		1	6
			BUSBAR OVERMOLD,LEFT SIDE	-	-	-		1	5
			OUTER HOUSING	-	PA66-GF	BLACK		1	4
			INNER HOUSING	-	PA66-GF	BLACK		1	3
			HV INTERLOCK CABLE	-	-	-		2	2
HEADER HOUSING 90DEG,1POS	-	AL-ALLOY	NICKEL PLATED	1	1				

REVISIONS			
REV	DATE	BY	APPV
-	SEE SHEET 1	-	-



1. MISSING DIMENSIONS ACC. TO 2399609-1

9-2399609-3	M	1POS.PIN DIA 14.0 HDR ASSY.90DEG	CODE HOUSING FOLLOW 8-2399609-1	M	PA66-GF	AQUA RED	(315)	1	9
9-2399609-2	L	1POS.PIN DIA 14.0 HDR ASSY.90DEG	CODE HOUSING FOLLOW 8-2399609-1	L	PA66-GF	AQUA BROWN	(315)	1	9
9-2399609-1	K	1POS.PIN DIA 14.0 HDR ASSY.90DEG	CODE HOUSING FOLLOW 8-2399609-1	K	PA66-GF	AQUA GREEN	(315)	1	9
8-2399609-9	J	1POS.PIN DIA 14.0 HDR ASSY.90DEG	CODE HOUSING FOLLOW 8-2399609-1	J	PA66-GF	ORANGE	(315)	1	9
8-2399609-8	H	1POS.PIN DIA 14.0 HDR ASSY.90DEG	CODE HOUSING FOLLOW 8-2399609-1	H	PA66-GF	YELLOW	(315)	1	9
8-2399609-7	G	1POS.PIN DIA 14.0 HDR ASSY.90DEG	CODE HOUSING FOLLOW 8-2399609-1	G	PA66-GF	RED	(315)	1	9
8-2399609-6	F	1POS.PIN DIA 14.0 HDR ASSY.90DEG-SEAL	CODE HOUSING FOLLOW 8-2399609-1	F	PA66-GF	BROWN	(315)	1	9
8-2399609-5	E	1POS.PIN DIA 14.0 HDR ASSY.90DEG	CODE HOUSING FOLLOW 8-2399609-1	E	PA66-GF	GREEN	(315)	1	9
8-2399609-4	D	1POS.PIN DIA 14.0 HDR ASSY.90DEG	CODE HOUSING FOLLOW 8-2399609-1	D	PA66-GF	PURPLE	(315)	1	9
8-2399609-3	C	1POS.PIN DIA 14.0 HDR ASSY.90DEG	CODE HOUSING FOLLOW 8-2399609-1	C	PA66-GF	BLUE	(315)	1	9
8-2399609-2	B	1POS.PIN DIA 14.0 HDR ASSY.90DEG	CODE HOUSING FOLLOW 8-2399609-1	B	PA66-GF	NATURE	(315)	1	9
8-2399609-1	A	1POS.PIN DIA 14.0 HDR ASSY.90DEG	CODE HOUSING	A	PA66-GF	BLACK	(315)	1	9
			HEADER TPA	-	PA66-GF	RED		1	8
			FINGER PROTECTION CAP	-	PA66-GF	BLACK		1	7
			FACE SEAL	-	SILICONE	RED		1	6
			BUSBAR OVERMOLD,TOP SIDE	-	-	-		1	5
			OUTER HOUSING	-	PA66-GF	BLACK		1	4
			INNER HOUSING	-	PA66-GF	BLACK		1	3
			HV INTERLOCK CABLE	-	-	-		2	2
HEADER HOUSING 90DEG,1POS	-	AL-ALLOY	NICKEL PLATED	1	1				

THIS DRAWING IS A CONTROLLED DOCUMENT.

DATE: 29DEC2021  
 CHK: J.L.L.  
 DATE: 29DEC2021  
 APPV: J.L.YIN  
 DATE: 29DEC2021

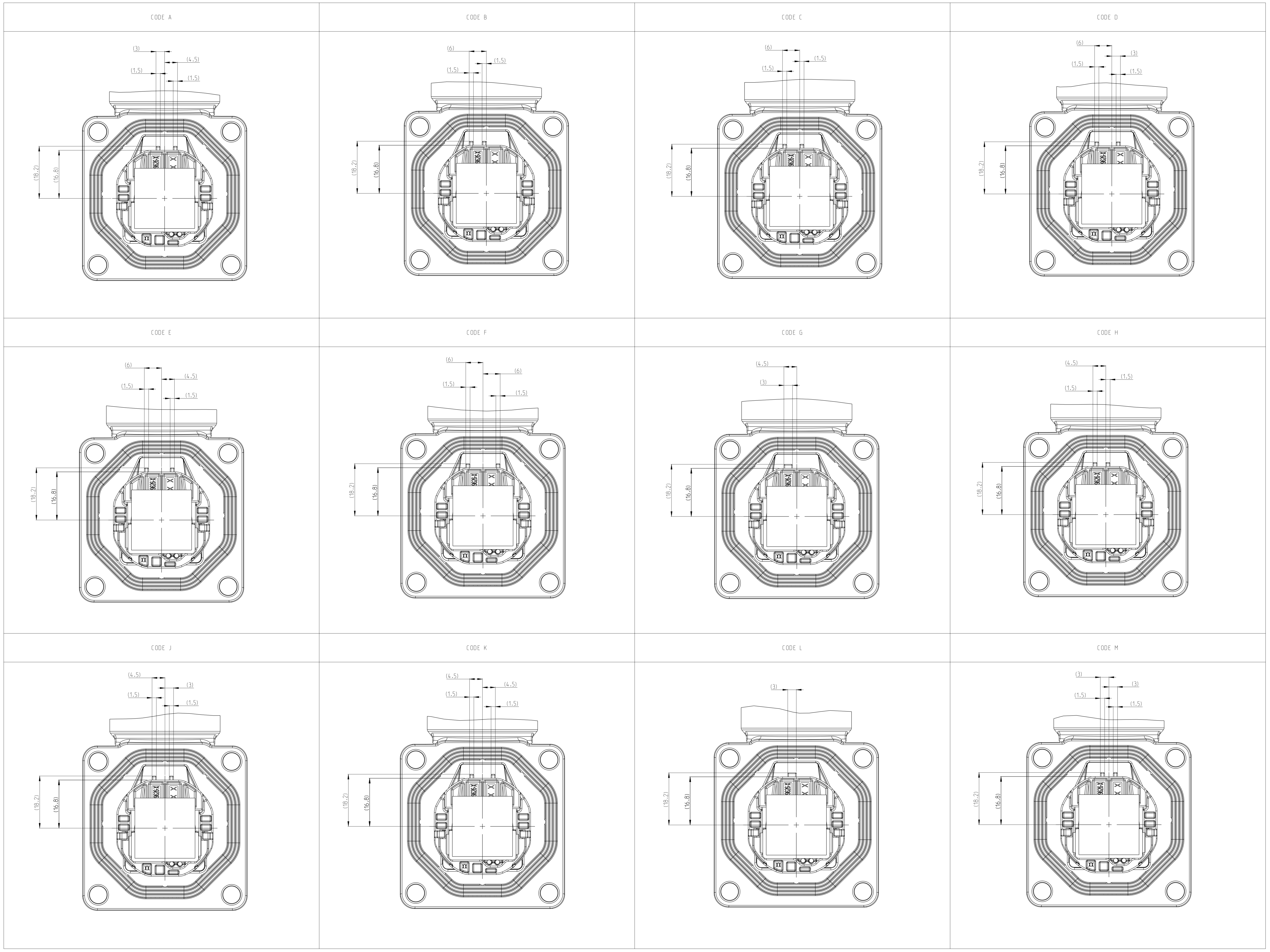
TE Connectivity

NAME: 1POS.PIN DIA 14.0.HDR ASSY.90DEG HVP-HD14.00

JOB: 160407  
 APPLICATION SPEC: 114-160222

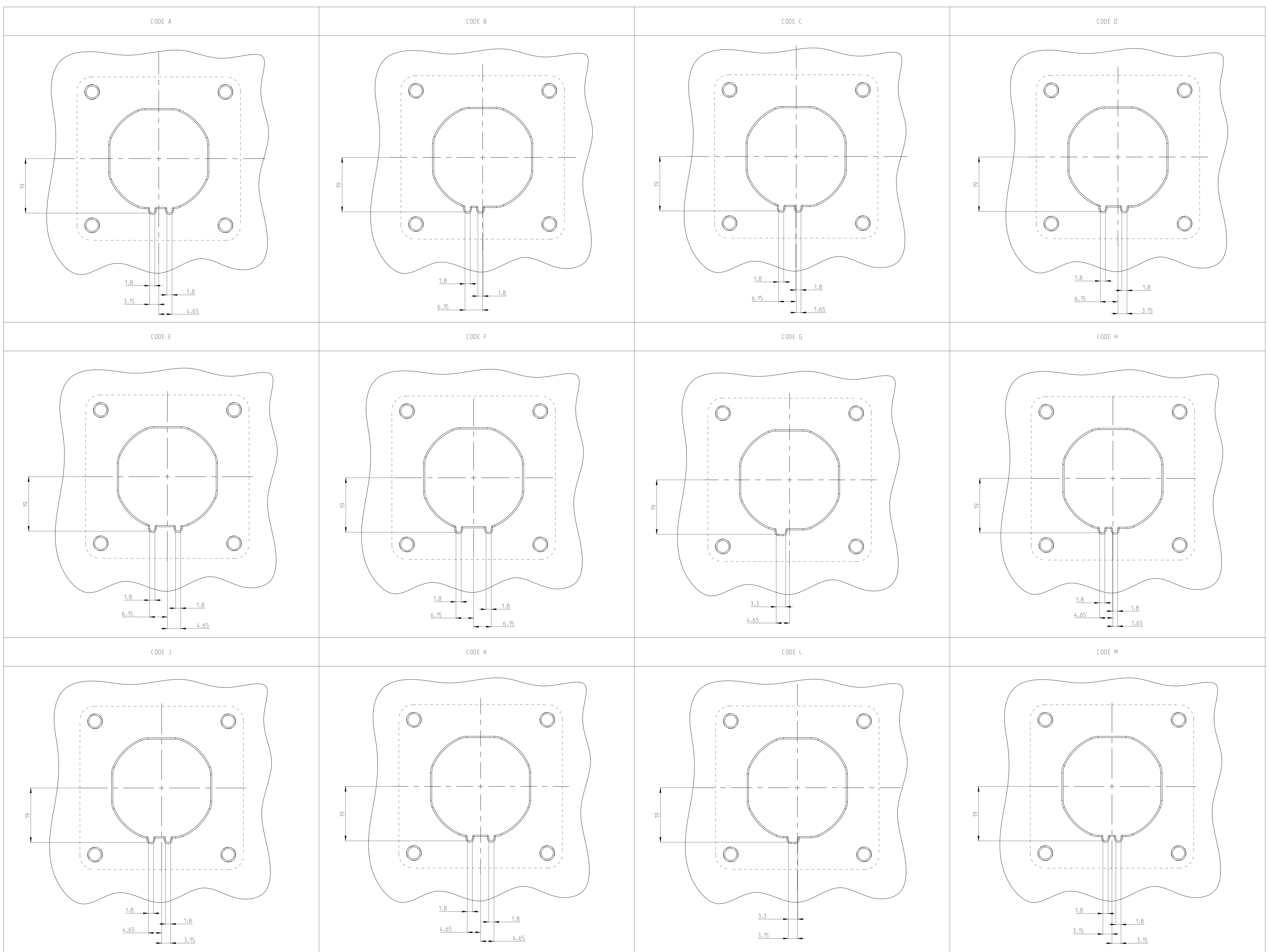
SCALE: 2:1  
 SHEET: 3 OF 5  
 REV: A1

REVISIONS			
REV	DATE	BY	APPD
-	SEE SHEET 1	-	-



THIS DRAWING IS A CONTROLLED DOCUMENT.		DATE: 29DEC2021	REV: 1
DRAWN BY: S.TAN		DATE: 29DEC2021	REV: 1
CHECKED BY: L.L.		DATE: 29DEC2021	REV: 1
APPROVED BY: J.VIN		DATE: 29DEC2021	REV: 1
PRODUCT SPEC: 1POS.PIN DIA 14.0.HDR ASSY.90DEG		NAME: HVP-HD14.00	
APPLICATION SPEC: 314-160222		SIZE: A0	
MATERIAL: SEE TABLE		WEIGHT: SEE TABLE	
FINISH: SPEC 2		CUSTOMER DRAWING	
SCALE: 2:1		SHEET 4 OF 5	
REV: A1		REV: A1	

REVISIONS			
REV	DATE	BY	APPV
-	SEE SHEET 1	-	-



THIS DRAWING IS A CONTROLLED DOCUMENT.		DATE: 29DEC2021	BY: S.TAN	APPV: S.TAN	REV: 1	DESCRIPTION: 1POS.PIN D1A 14.0.HDR ASSY.90DEG HVP-HD14.00	SCALE: 2:1	SHEET: 5 OF 5	REV: A1
DIMENSIONS: DIMS		UNITS: INCHES	OPERATION: REVISED	DATE: 29DEC2021	BY: J.L.L.	APPV: J.L.L.	PRODUCT SPEC: 108-160407	APPLICATION SPEC: 114-160222	WEIGHT: SEE TABLE
MATERIAL: SEE TABLE		FINISH: SPEC 2	CUSTOMER DRAWING		SIZE: A0		CASE CODE: 00779	DRAWING NO: 2399609	RESTRICTED TO: -