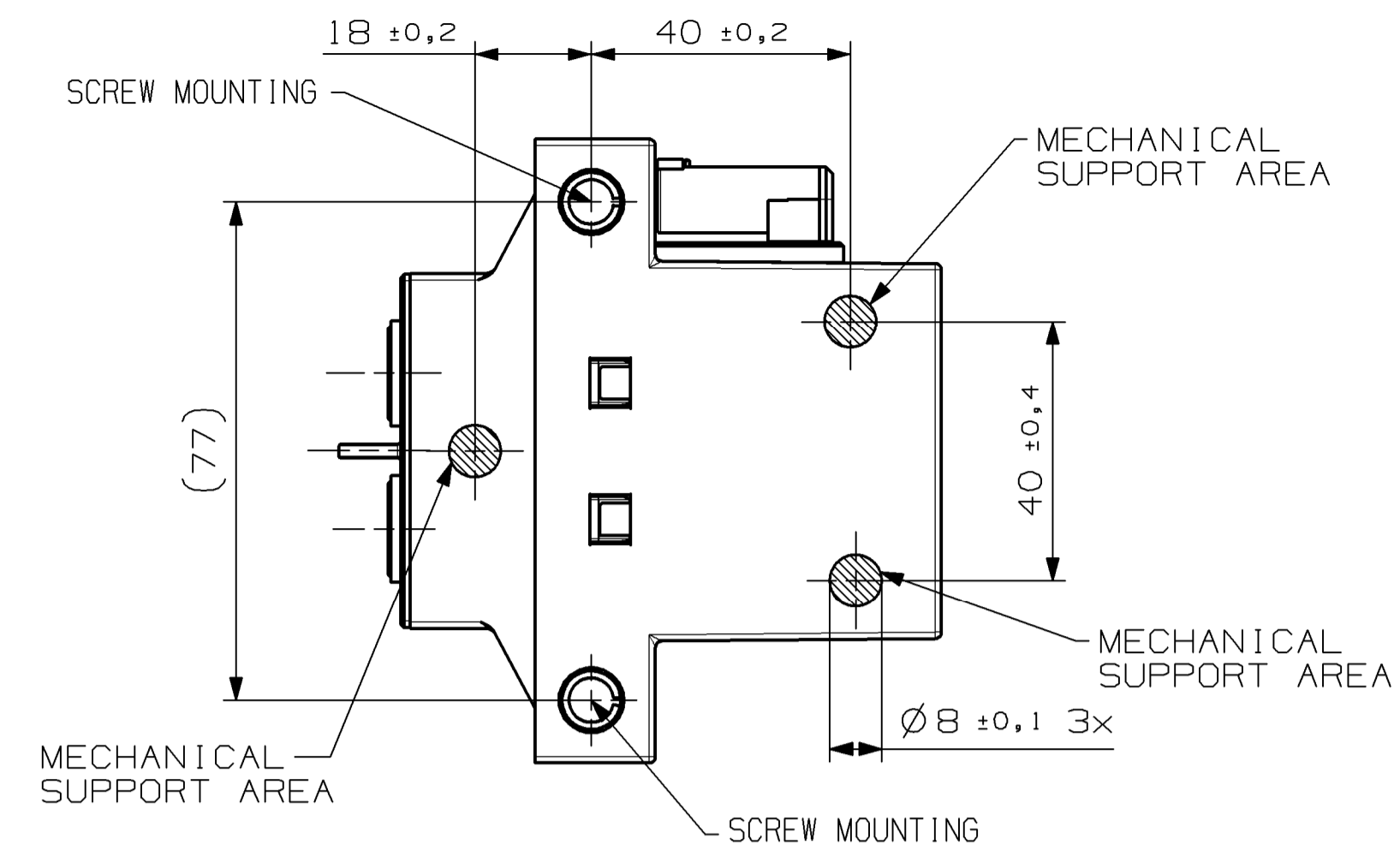
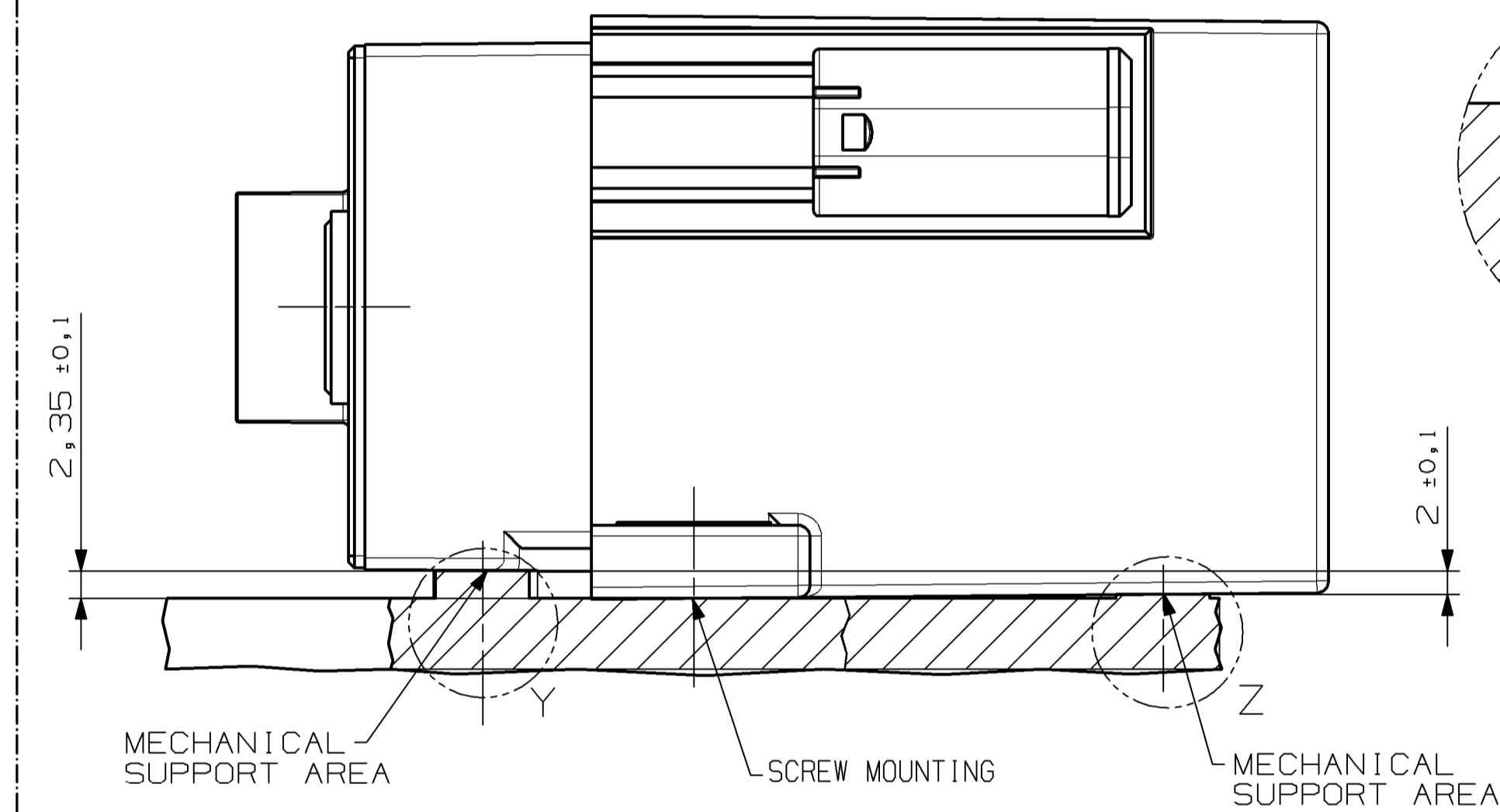


MOUNTING CONDITIONS

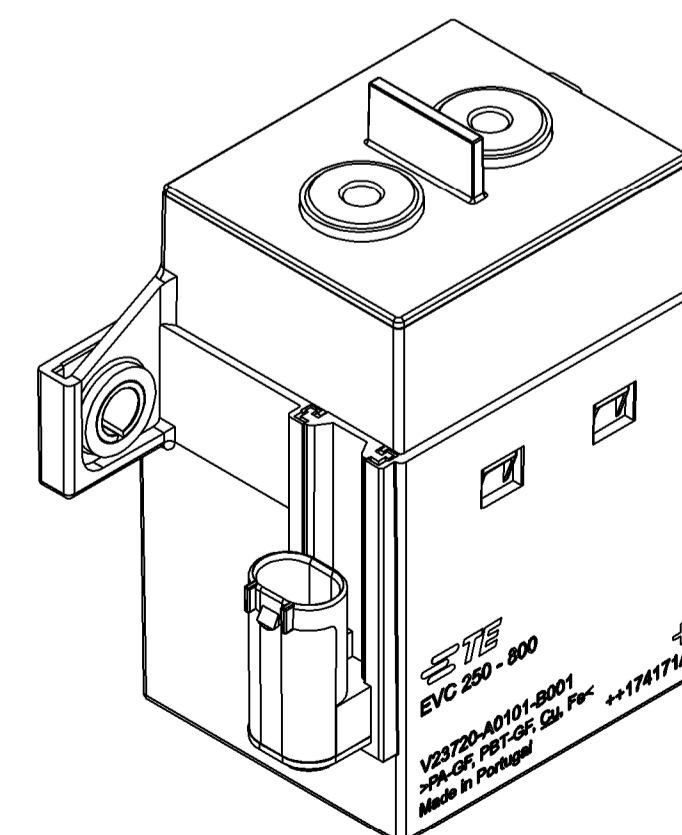
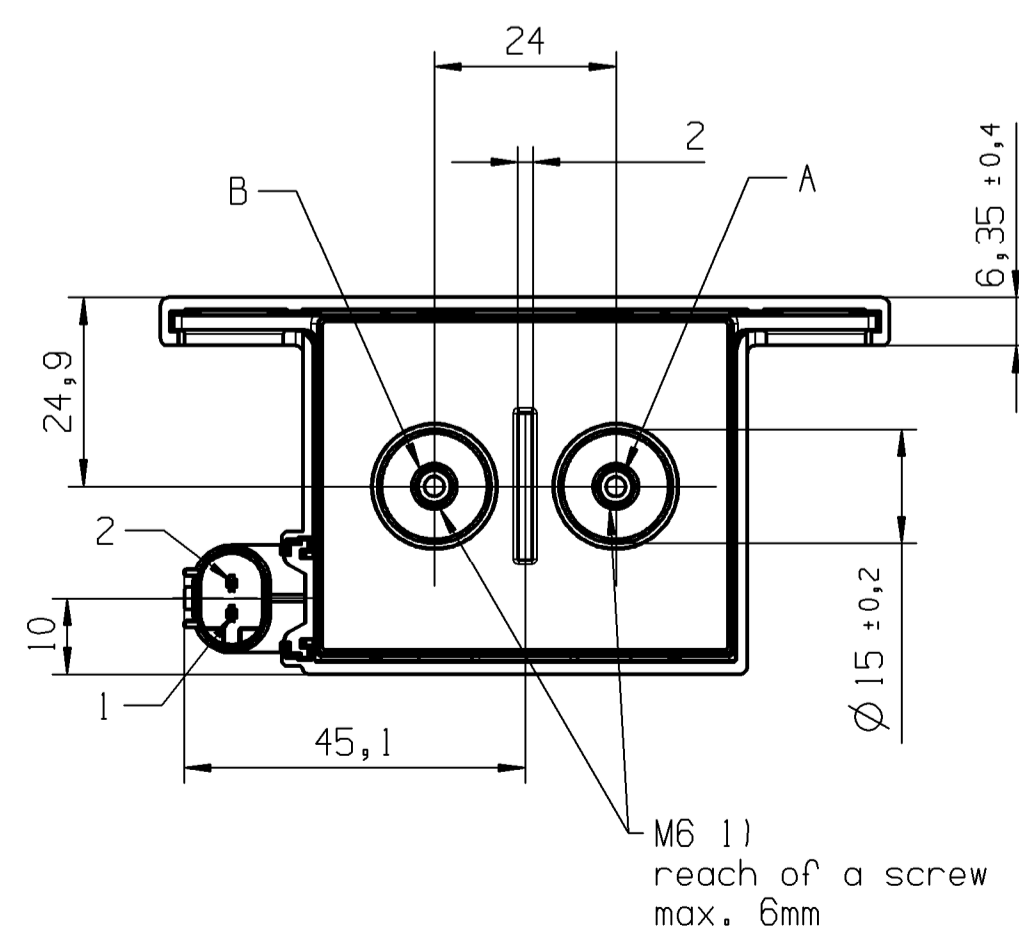
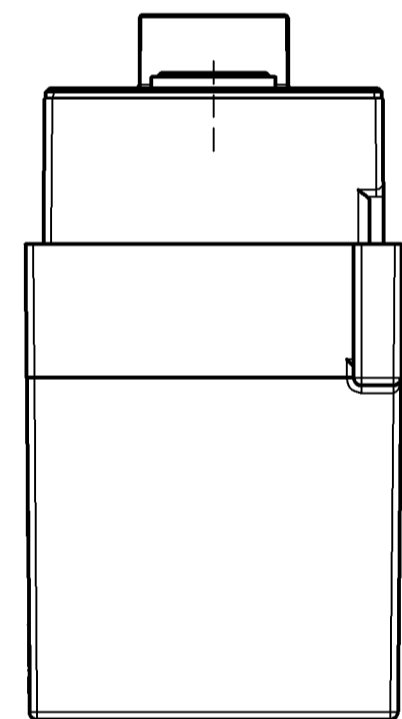
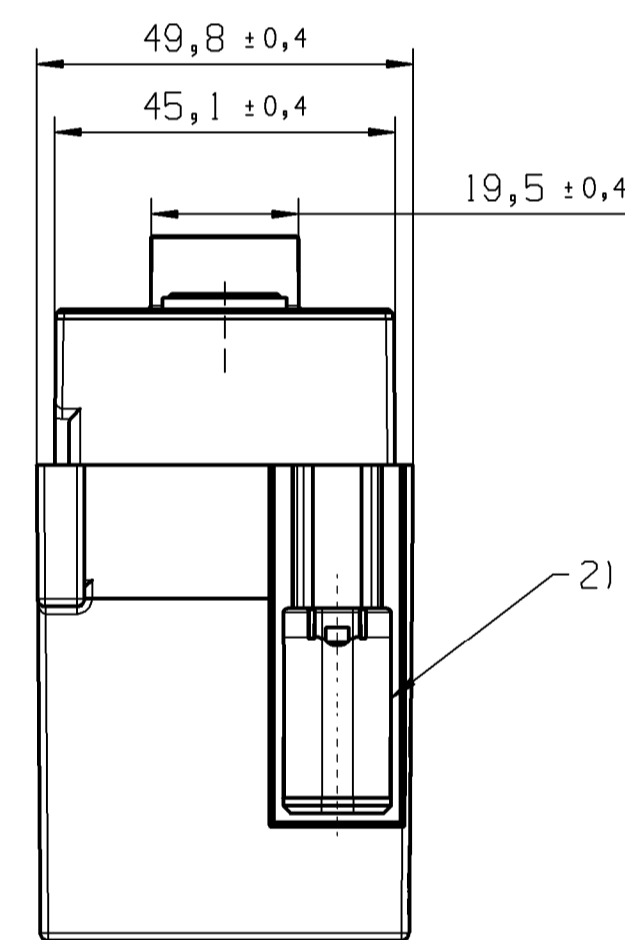
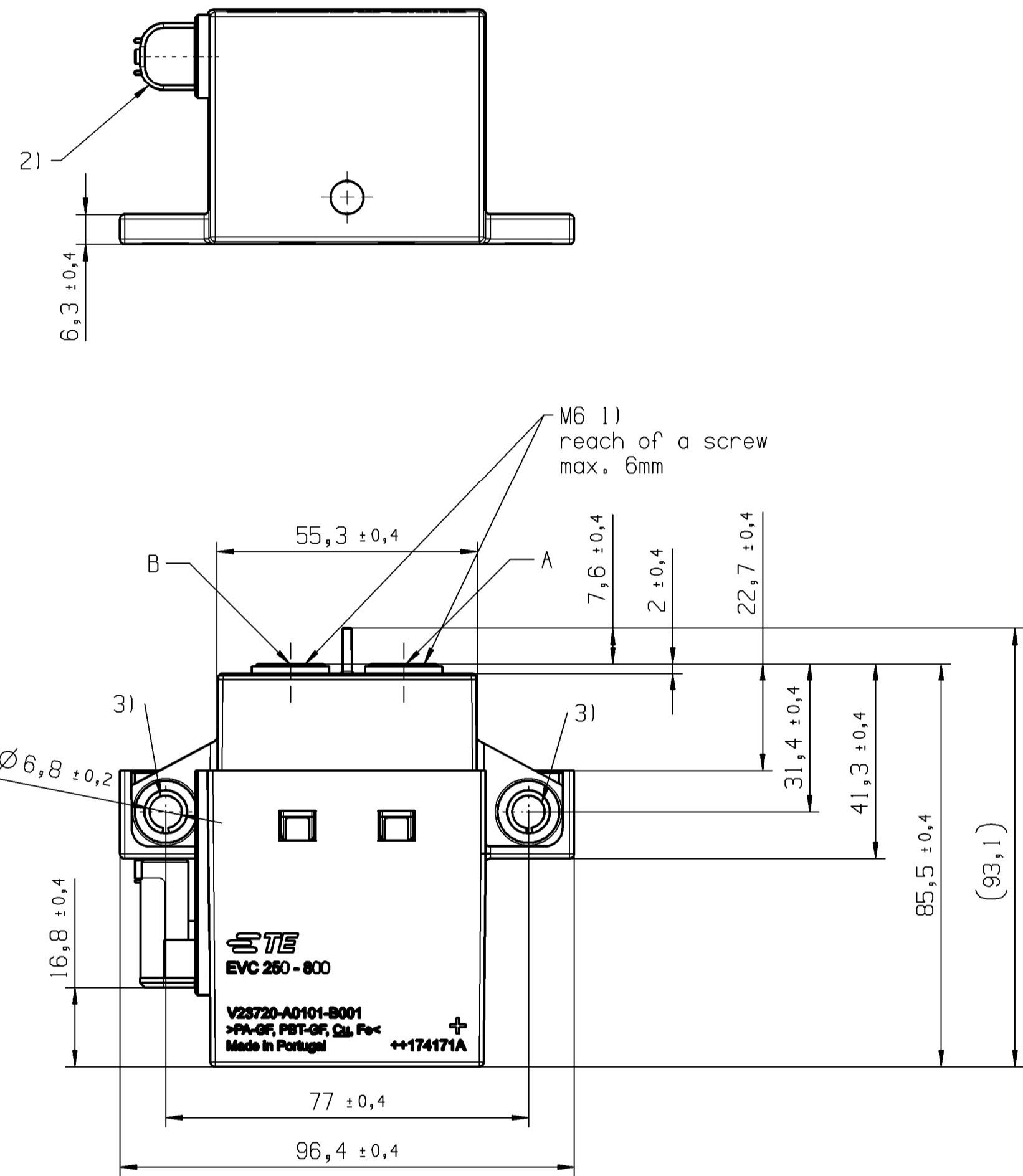
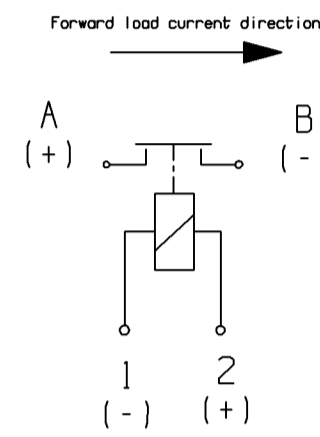


SCALE 2:1



DETAIL Y
SCALE 5:1

DETAIL Z
SCALE 5:1



Notice :

- 1) Permitted Torque 6 Nm WHEN MIN. 4 TURNS
- 2) Socket Housing
TE Interface 2 Pos. MOS Code A ,
appropriate for Socket Housing 2 Pos. MOS,
TE PART NO. 1-967644-1
PRESCRIBED WIRE CROSS SECTION = 0,35mm² MIN
- 3) HEXAGON SOCKET BOTTOM HEAD SCREW EN ISO 7380 M6 WITH WASHER ISO 7090/ 7089

PART ALIAS	TCPN	REV
V23720-A0101-B001	2-1904136-5	F

PROPRIETARY				THE REPRODUCTION, TRANSMISSION OR USE OF THIS DOCUMENT OR ITS CONTENTS IS NOT PERMITTED WITHOUT EXPRESSED WRITTEN AUTHORITY. OFFENDERS WILL BE LIABLE FOR ALL DAMAGES. ALL RIGHTS, INCLUDING RIGHTS CREATED BY REGISTERED PATENTS GRANTED FOR A UTILITY MODEL OR DESIGN, ARE RESERVED.		CHANGES TO THIS DRAWING MUST BE DONE ONLY IN CAD		PAPER SIZE	
APPLICABLE SPEC. :				FINISH		DIMENSIONS APPLY		PLATING	
TOLERANCE UNLESS SPECIFIED OTHERWISE				SCALE 1:1		WEIGHT 600g			
DIMENSIONS IN MM				MATERIAL		---			
DATE				NAME		PART NAME			
2020-07-14				LAM DWL		2017-03-16		KOC	
2019-11-29				KOC		APP.		KOC	
2019-02-05				KOC		REV.		---	
2018-09-12				KOC		LOCATION		BLN-T	
2017-08-30				KOC		---		---	
2017-03-17				KOC		---		---	
2015-06-24				---		---		---	
CHANGE ORDER				DATE		APP.			
						DWG NO. V23720-A0101-B001-CD		SHT. 1 OF 1	