
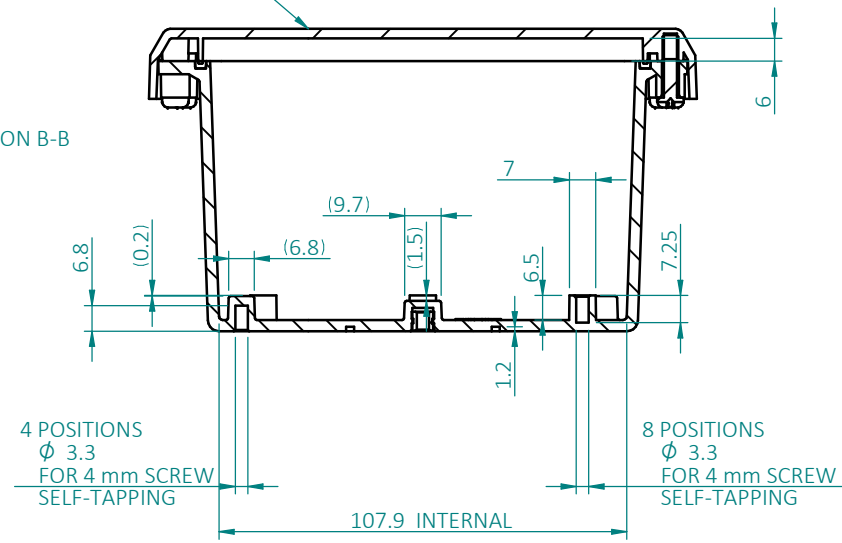


-	-	-	-	-	-
-	-	-	-	-	-
-	-	-	-	-	-
1	12/12/22	-	FIRST DRAWN	IPAGAND	S.HARDINGE
REVISION	DATE	ECR	DESCRIPTION	NAME	CHECKED

 CAMDENBOSS CONNECT. ENCLOSE. INNOVATE.	COLOUR: OFF WHITE	GAUGE: DO NOT SCALE DRAWING DEBURR AND BREAK SHARP EDGES	SCALE: 1:2
	FINISH: VDI:25 LIGHT SPARK	TITLE: IP68 HIGH PERFORMANCE COM BOX	
MATERIAL: ASA - UV RESISTANT - UL 94 HB	DWG NO. CHD7340WH	SHEET 1 OF 3 A3	

NO PCB PILLARS IN COVER

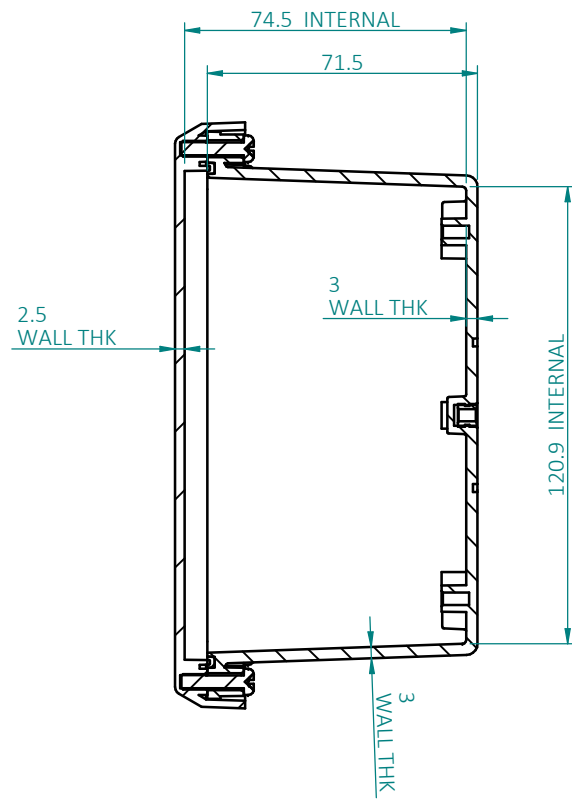
SECTION B-B



4 POSITIONS
Ø 3.3
FOR 4 mm SCREW
SELF-TAPPING

8 POSITIONS
Ø 3.3
FOR 4 mm SCREW
SELF-TAPPING

107.9 INTERNAL



2.5
WALL THK

74.5 INTERNAL

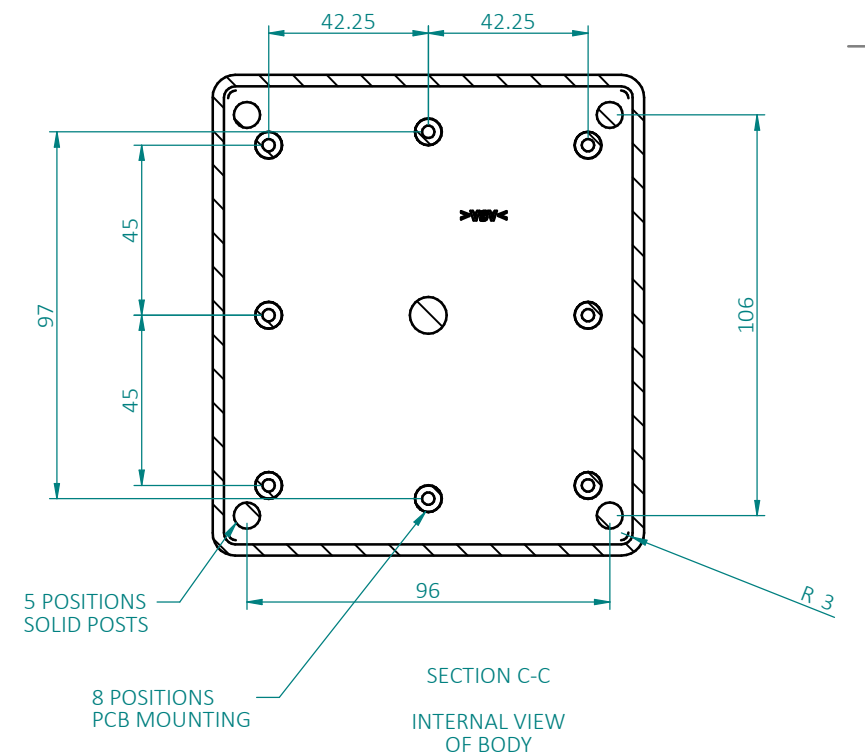
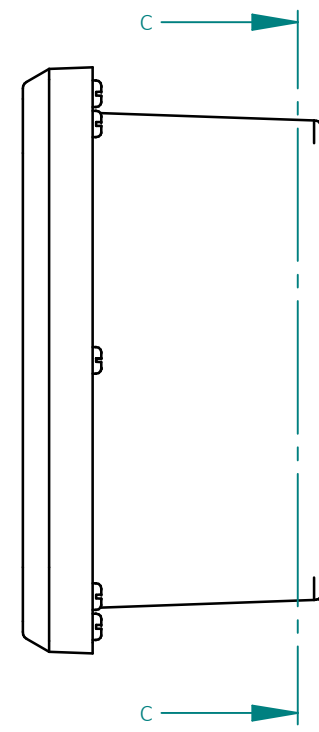
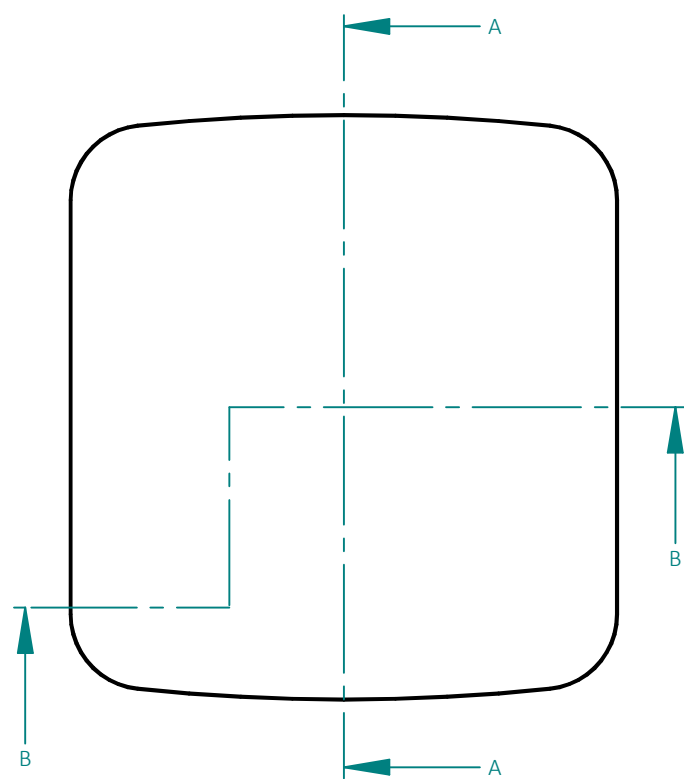
71.5

3
WALL THK

3
WALL THK

120.9 INTERNAL

SECTION A-A



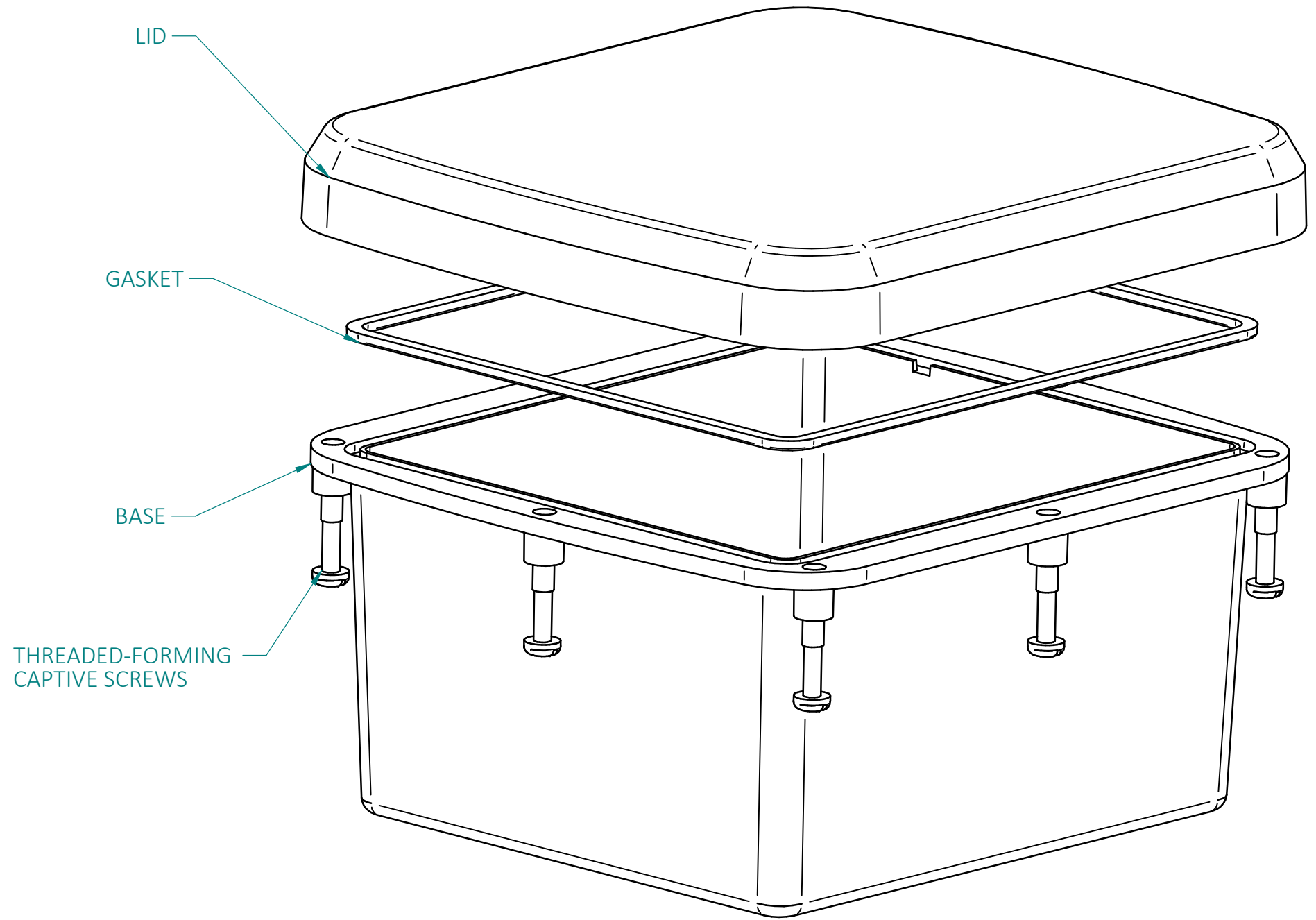
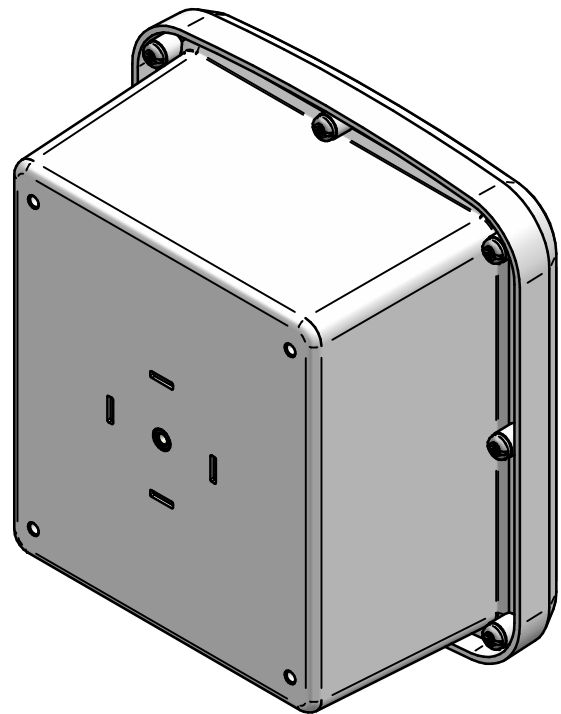
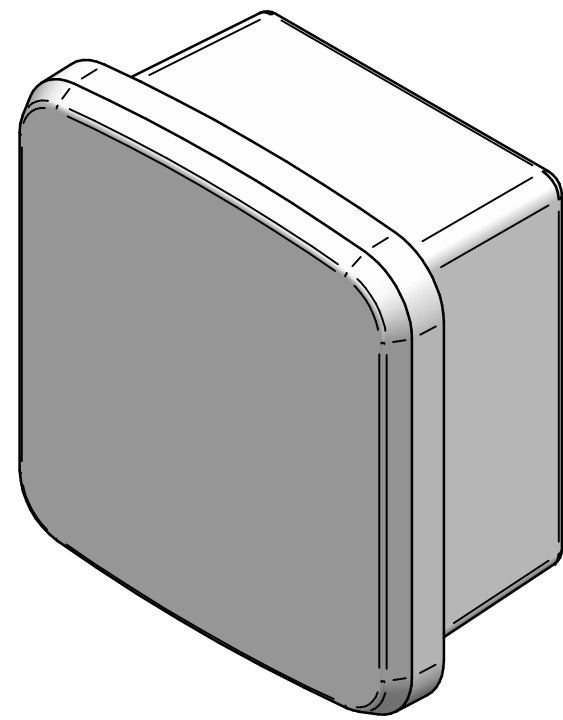
5 POSITIONS
SOLID POSTS

8 POSITIONS
PCB MOUNTING

SECTION C-C
INTERNAL VIEW
OF BODY

REVISION	DATE	ECR	DESCRIPTION	NAME	CHECKED
1	12/12/22	-	FIRST DRAWN	I.PAGANO	S.HARDINGE

CAMDENBOSS CONNECT. ENCLOSE. INNOVATE.	COLOUR: OFF WHITE	GAUGE: DO NOT SCALE DRAWING DEBURR AND BREAK SHARP EDGES	SCALE: 1:2
	FINISH: VDI:25 LIGHT SPARK	TITLE: IP68 HIGH PERFORMANCE COM BOX	
MATERIAL: ASA - UV RESISTANT - UL 94 HB	DWG NO: CHD7340WH	SHEET 2 OF 3	



-	-	-	-	-	-	 CAMDENBOSS CONNECT. ENCLOSE. INNOVATE.	COLOUR: OFF WHITE	GAUGE:	DO NOT SCALE DRAWING DEBURR AND BREAK SHARP EDGES	SCALE: 1:1
-	-	-	-	-	-		FINISH: VDI:25 LIGHT SPARK	TITLE: IP68 HIGH PERFORMANCE COM BOX	SHEET 3 OF 3	
1	12/12/22	-	FIRST DRAWN	IPAGANO	S.HARDINGE		DRAWING UNITS: MILLIMETERS TOLERANCES: SEE CRITICAL DIMENSIONS	MATERIAL: ASA - UV RESISTANT - UL 94 HB	DWG NO: CHD7340WH	A3
REVISION	DATE	ECR	DESCRIPTION	NAME	CHECKED					